

8

7

6

5

4

3

2

1

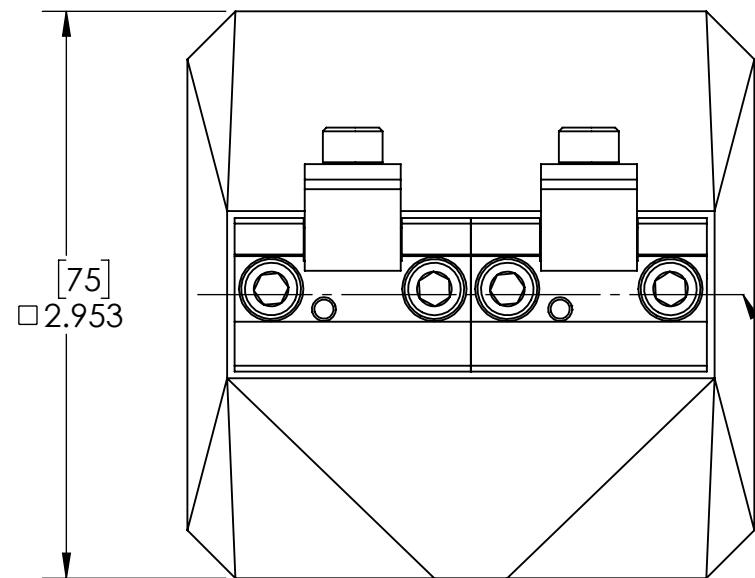
D

D

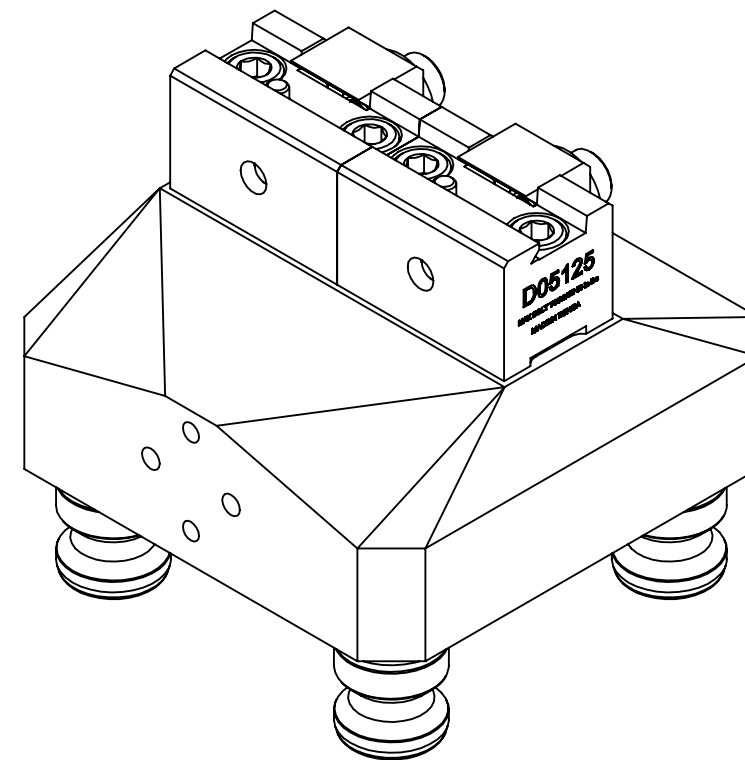
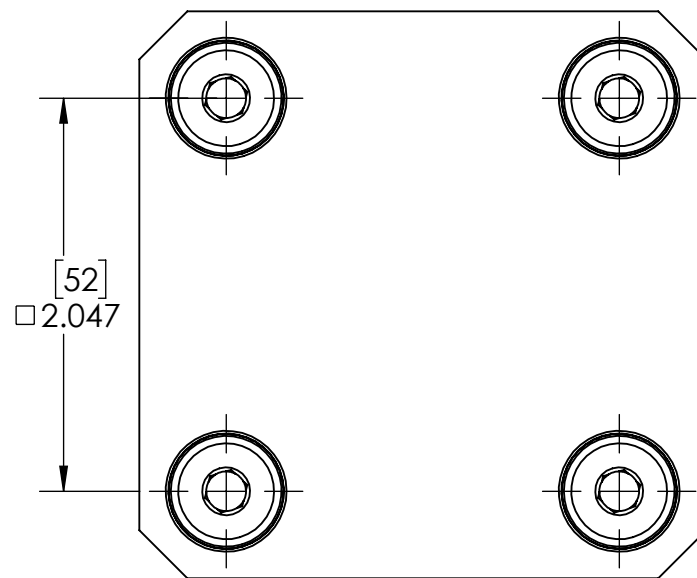
# A52-2D05125

C

C

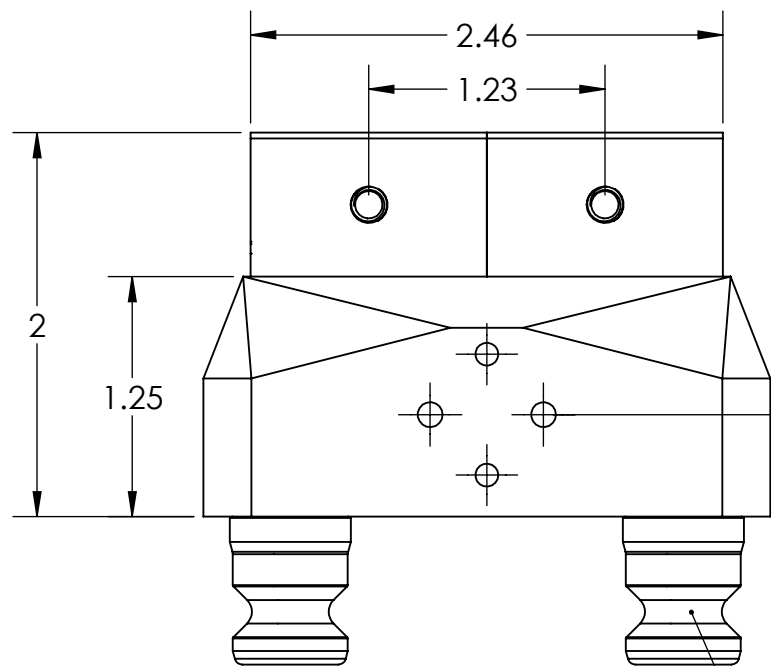


DOVETAIL  $\varnothing$   
ALIGNED WITH  
BASE  $\varnothing$



B

B




[13.5]  
.531  
TO CENTER OF  
AUTOMATION  
CLEAT MOUNT

4x PS16F

A

A

<b>INCH</b>				
WWW.5THAXIS.COM 7140 ENGINEER ROAD SAN DIEGO, CA 92111 P (858) 505-0432				
THIRD ANGLE PROJECTION		DESCRIPTION	<b>D05125 DOVETAIL TOP TOOLING</b>	
SIZE	PART NO.	REV		
<b>B</b>	<b>A52-2D05125</b>	<b>A</b>		
DO NOT SCALE DRAWING		SCALE 1:1	WEIGHT:	SHEET 1 OF 2

8

7

6

5

4

3

2

1

8

7

6

5

4

3

2

1

D

D

C

C

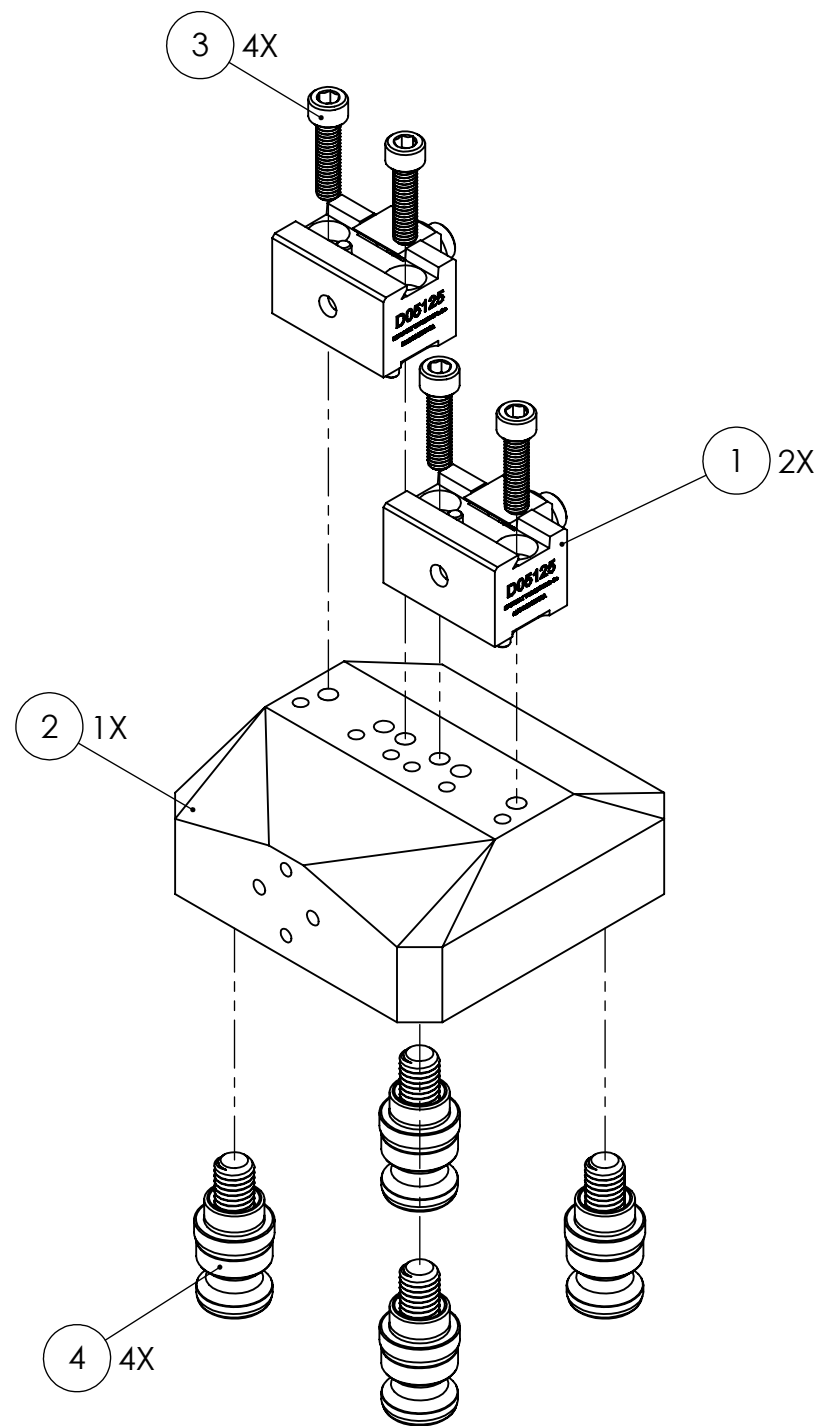
B

B


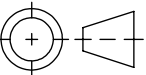
A

A

# A52-2D05125



ITEM NO.	PART NUMBER	DESCRIPTION	QTY.
1	D05125-1	BASE, 1/2", MICRO DOVETAIL FIXTURE	2
2	A52-D05125-1	ADAPTER	1
3	-	SOCKET HEAD CAP SCREW, #10-32 x 3/4"	4
4	PS16F	52mm PULL STUD	4

<b>INCH</b>			
WWW.5THAXIS.COM 7140 ENGINEER ROAD SAN DIEGO, CA 92111 P (858) 505-0432			
THIRD ANGLE PROJECTION		DESCRIPTION <b>D05125 DOVETAIL TOP TOOLING</b>	
	SIZE <b>B</b>	PART NO. <b>A52-2D05125</b>	REV <b>A</b>
DO NOT SCALE DRAWING		SCALE 2:3	WEIGHT:
		SHEET 2 OF 2	

8

7

6

5

4

3

2

1