

8

7

6

5

4

3

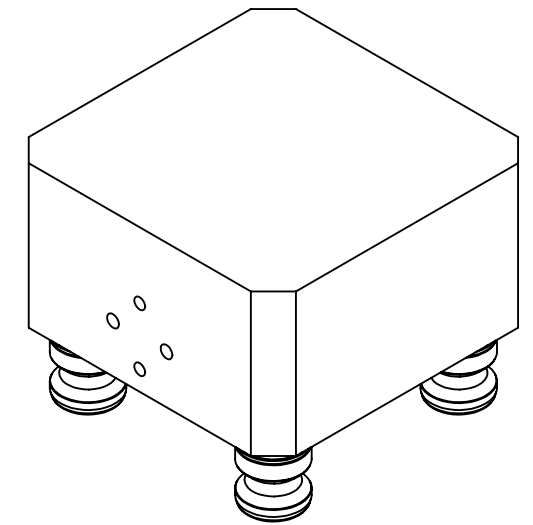
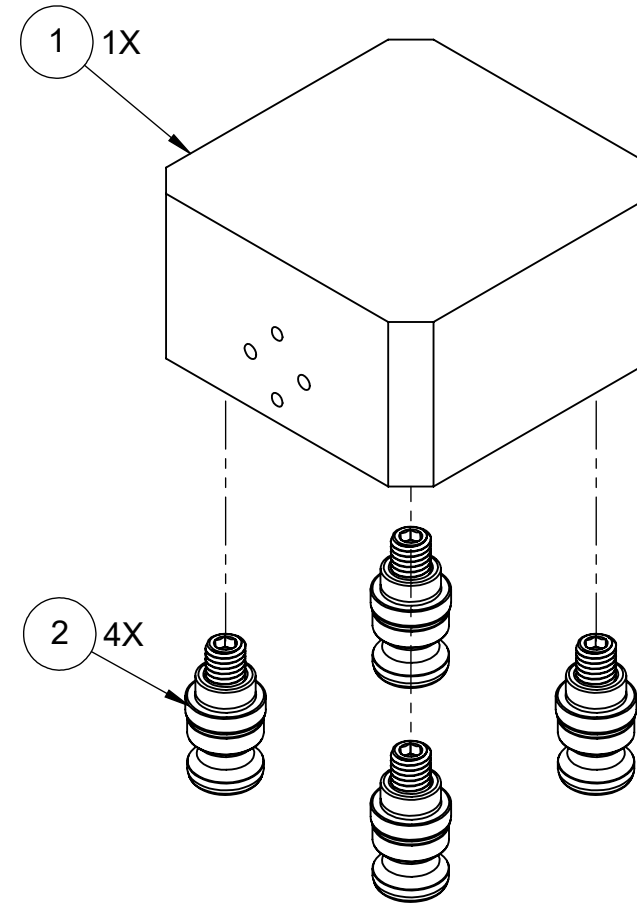
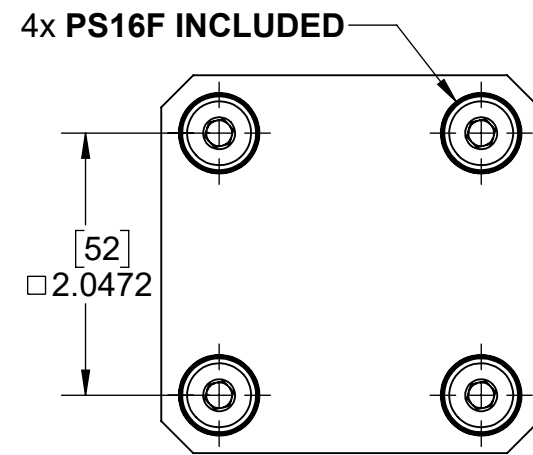
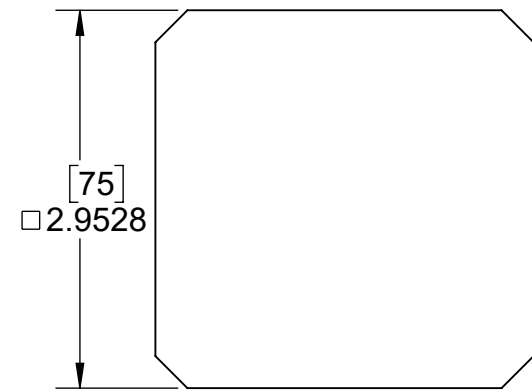
2

1

D

D

A52-BLANK

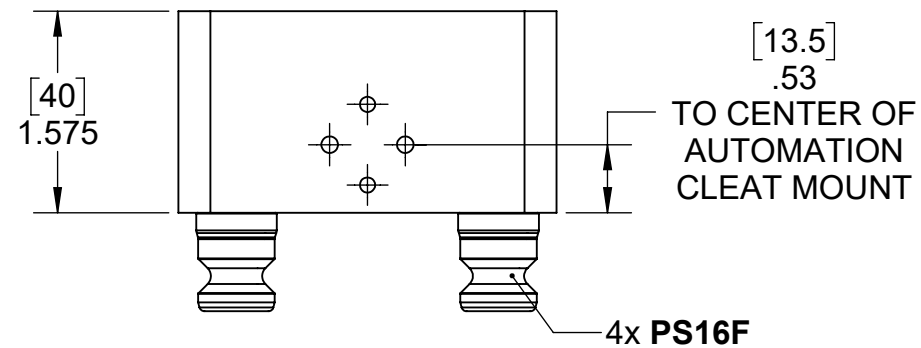


C

C

B


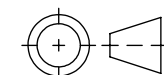
B



ITEM NO.	PART NUMBER	DESCRIPTION	QTY.
1	A52-B	ALUMINUM BLOCK	1
2	PS16F	52mm PULL STUD	4
FOR REFERENCE ONLY - NOT FOR RESALE			

A

A

INCH			
WWW.5THAXIS.COM		DESCRIPTION BLANK 6061 ALUMINUM BLOCK	
7140 ENGINEER ROAD SAN DIEGO, CA 92111 P (858) 505-0432		SIZE B	PART NO. A52-BLANK
THIRD ANGLE PROJECTION 		DO NOT SCALE DRAWING	SCALE 2:3
		WEIGHT:	SHEET 1 OF 1
			REV B

8

7

6

5

4

3

2

1