

8

7

6

5

4

3

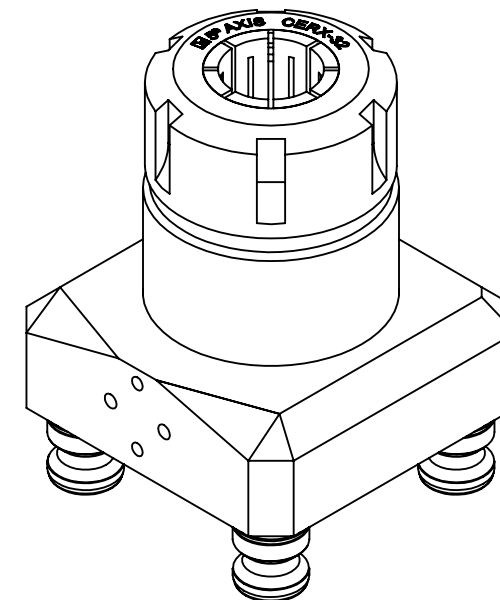
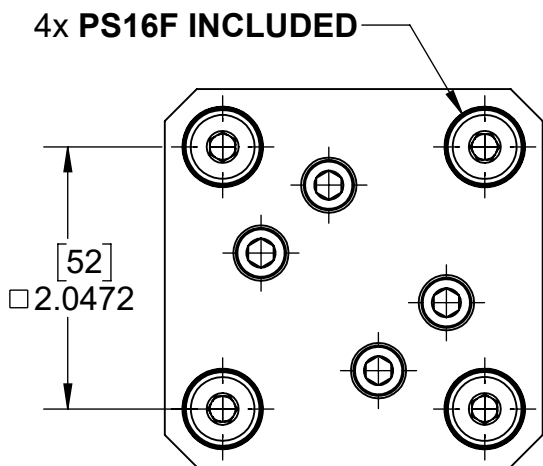
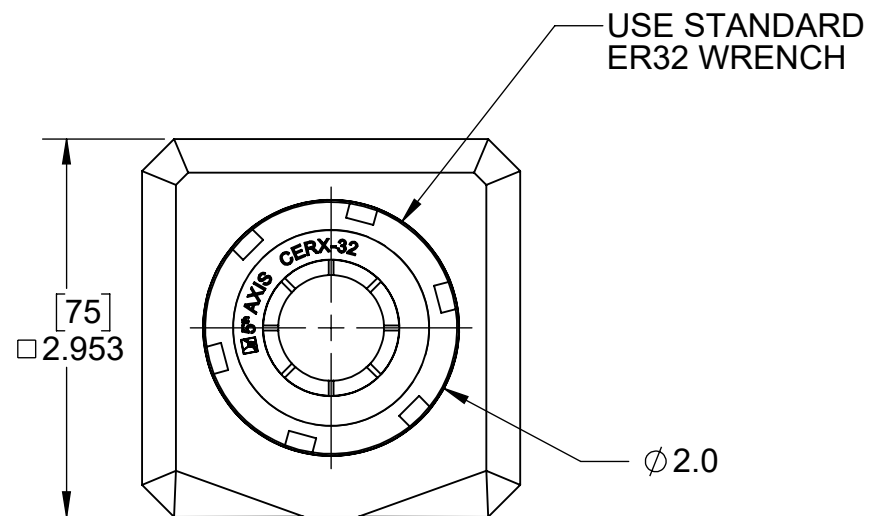
2

1

D

D

# A52-CERX-32

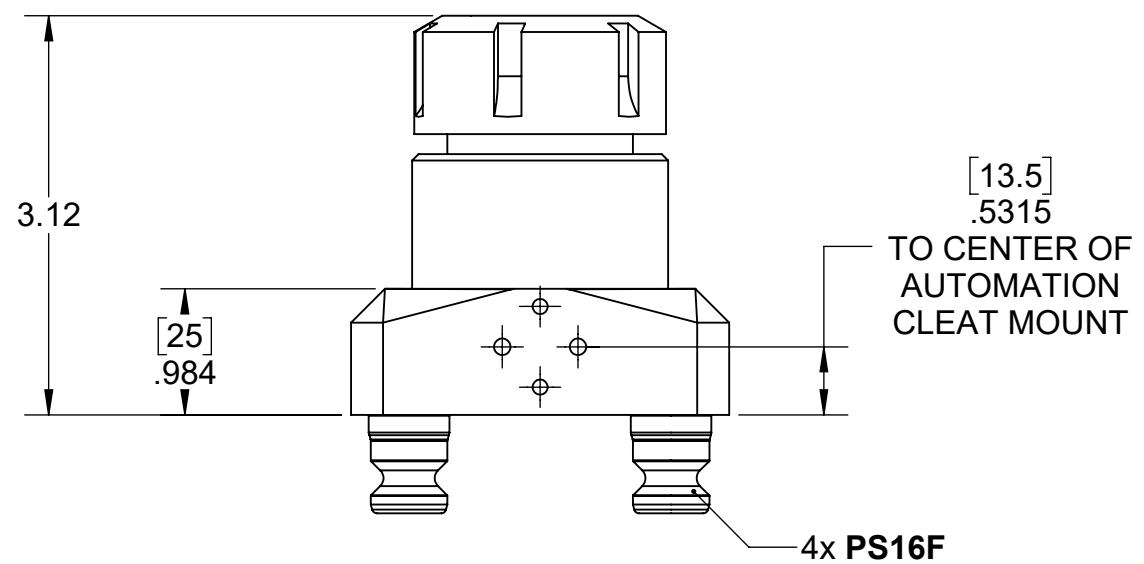


C

C

B

B



A

A

8

7

6


5

4

3

2

1

<b>INCH</b>				
WWW.5THAXIS.COM 7140 ENGINEER ROAD SAN DIEGO, CA 92111 P (858) 505-0432				
THIRD ANGLE PROJECTION		DESCRIPTION	<b>ROUND BAR FIXTURE TOP TOOLING</b>	
SIZE	PART NO.	<b>A52-CERX-32</b>		REV
<b>B</b>				<b>B</b>
DO NOT SCALE DRAWING		SCALE 2:3	WEIGHT:	SHEET 1 OF 2

8

7

6

5

4

3

2

1

8

7

6

5

4

3

2

1

D

D

# A52-CERX-32

C

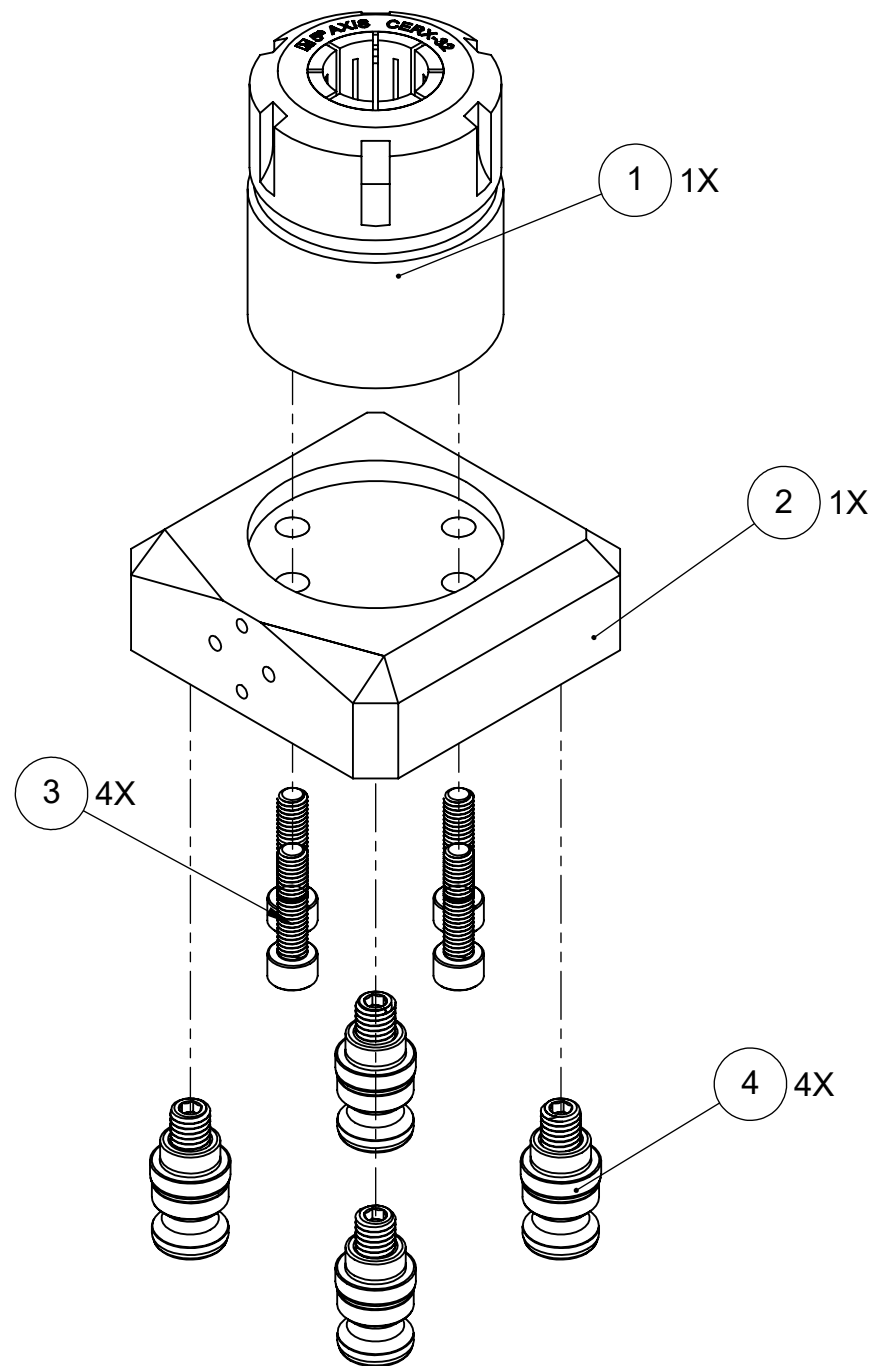
C

B


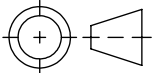
B

A

A



ITEM NO.	PART NUMBER	DESCRIPTION	QTY.
1	CERX-32	ROUND BAR FIXTURE	1
2	A52-CERX-1	52MM ROCKLOCK, RISER, ER COLLET	1
3	-	SOCKET HEAD SCREW, M6x1x25mm	4
4	PS16F	52mm PULL STUD	4
<b>FOR REFERENCE ONLY - NOT FOR RESALE</b>			

<b>INCH</b>			
WWW.5THAXIS.COM		DESCRIPTION <b>ROUND BAR FIXTURE TOP TOOLING</b>	
7140 ENGINEER ROAD SAN DIEGO, CA 92111 P (858) 505-0432		SIZE <b>B</b>	PART NO. <b>A52-CERX-32</b>
THIRD ANGLE PROJECTION 		DO NOT SCALE DRAWING	SCALE 2:3
		WEIGHT:	SHEET 2 OF 2
		REV <b>B</b>	

8

7

6

5

4

3

2

1