

8

7

6

5

4

3

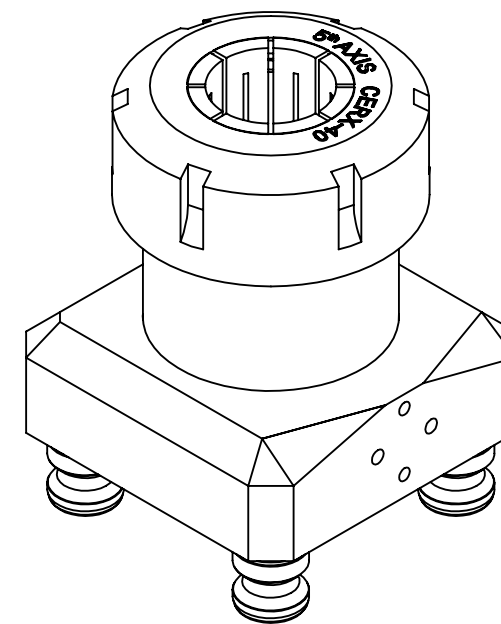
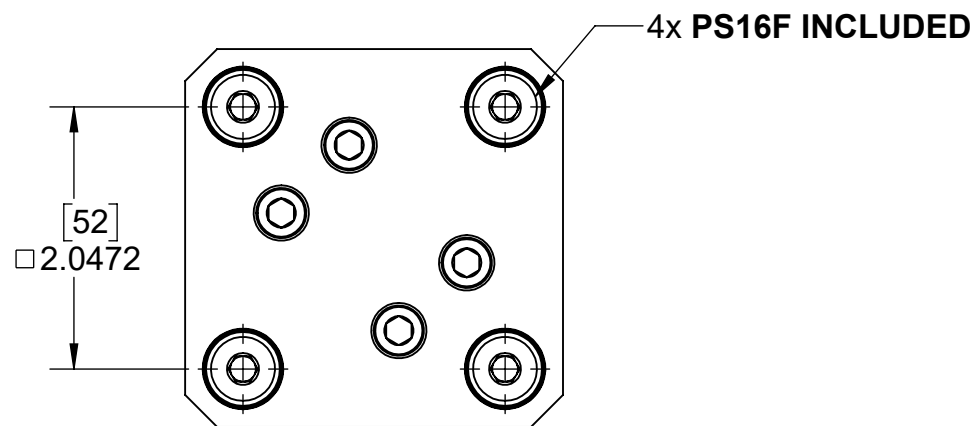
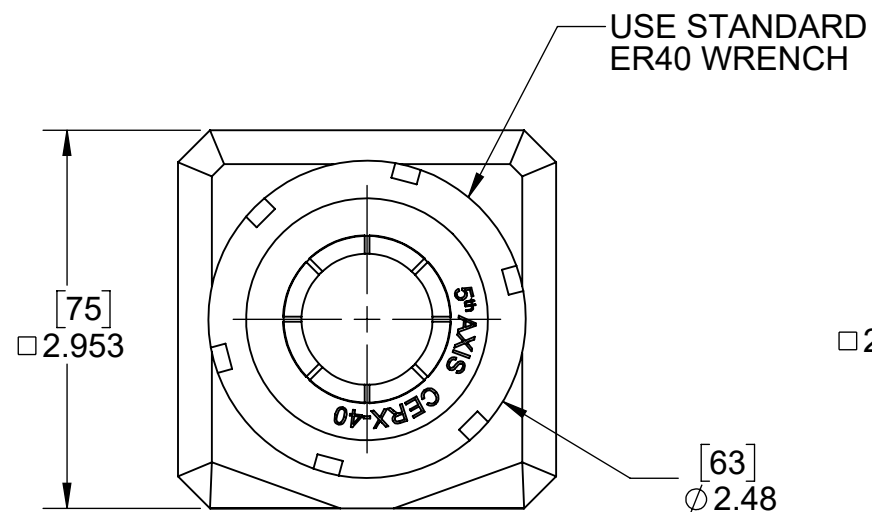
2

1

D

D

A52-CERX-40

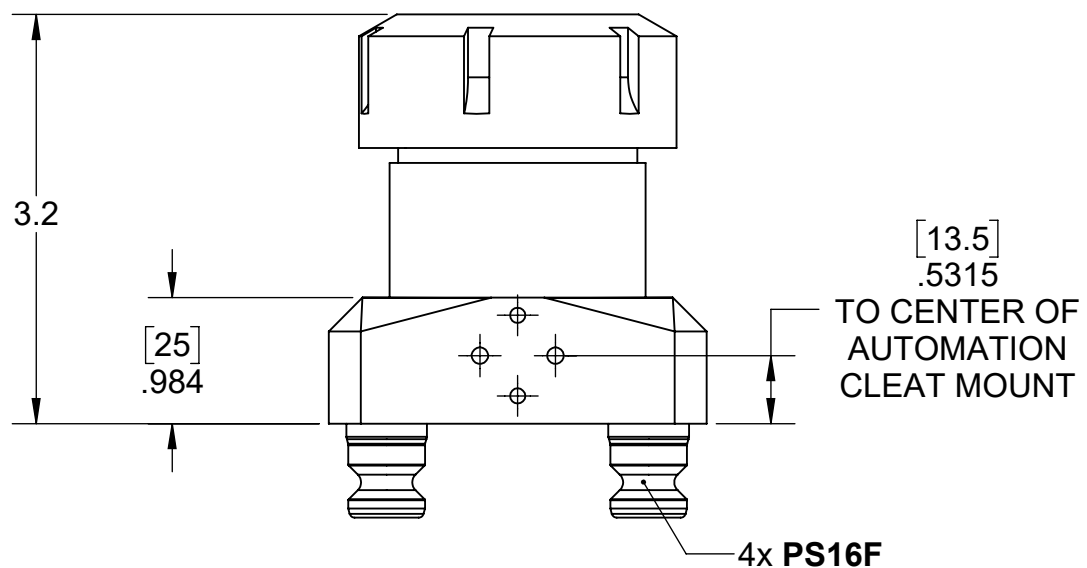


C

C


B

B



A

A

INCH				
WWW.5THAXIS.COM 7140 ENGINEER ROAD SAN DIEGO, CA 92111 P (858) 505-0432				
THIRD ANGLE PROJECTION		DESCRIPTION	ROUND BAR FIXTURE TOP TOOLING	
SIZE	PART NO.	A52-CERX-40		REV
B				B
DO NOT SCALE DRAWING		SCALE 2:3	WEIGHT:	SHEET 1 OF 2

8

7

6

5

4

3

2

1

8

7

6

5

4

3

2

1

D

D

C

C

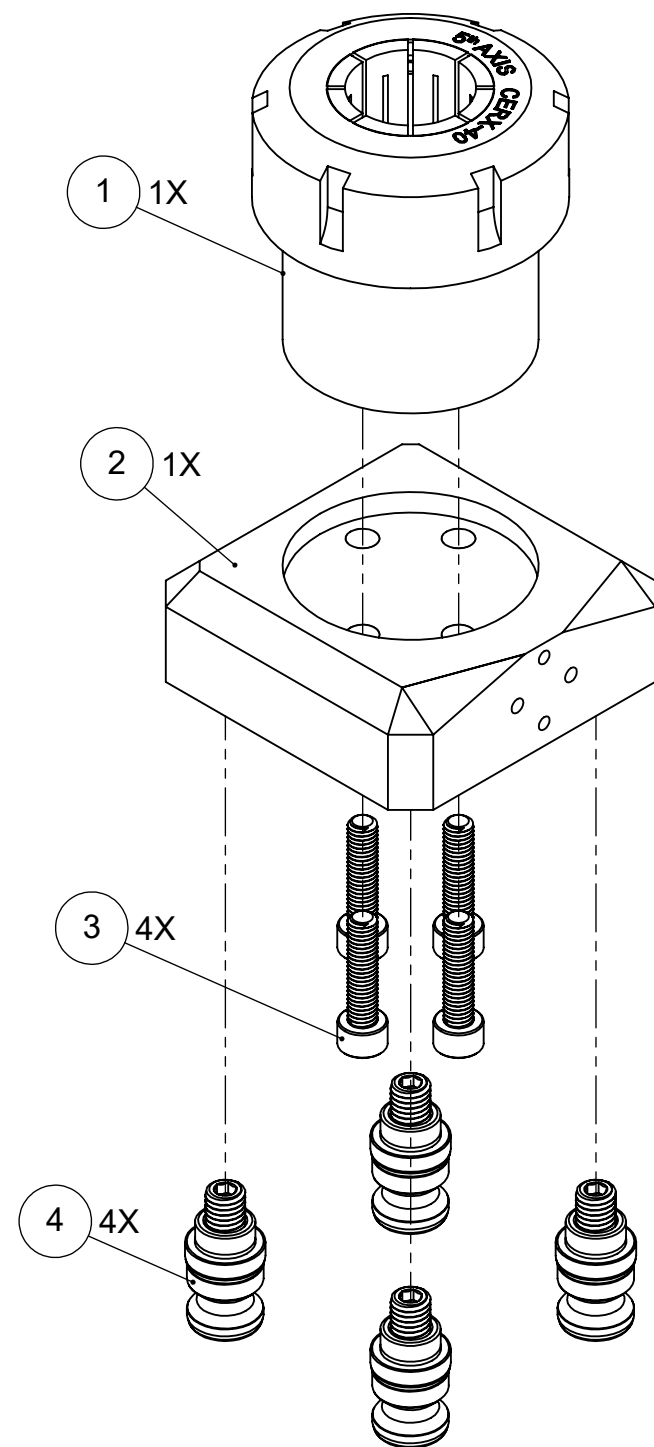
B

B


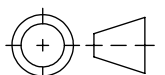
A

A

A52-CERX-40



ITEM NO.	PART NUMBER	DESCRIPTION	QTY.
1	CERX-40	ROUND BAR FIXTURE	1
2	A52-CERX-1	52MM ROCKLOCK, RISER, ER COLLET	1
3	-	SOCKET HEAD SCREW, M6x1x25mm	4
4	PS16F	52mm PULL STUD	4
FOR REFERENCE ONLY - NOT FOR RESALE			

INCH			
WWW.5THAXIS.COM		DESCRIPTION	
7140 ENGINEER ROAD SAN DIEGO, CA 92111 P (858) 505-0432		ROUND BAR FIXTURE TOP TOOLING	
THIRD ANGLE PROJECTION		SIZE	PART NO.
		B	A52-CERX-40
DO NOT SCALE DRAWING		SCALE 2:3	WEIGHT:
SHEET 2 OF 2		REV B	

8

7

6

5

4

3

2

1