

8

7

6

5

4

3

2

1

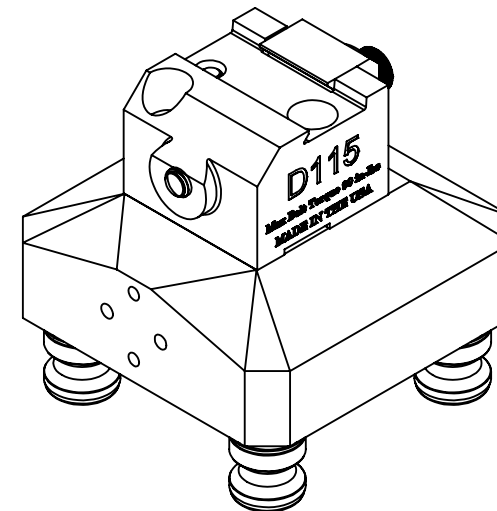
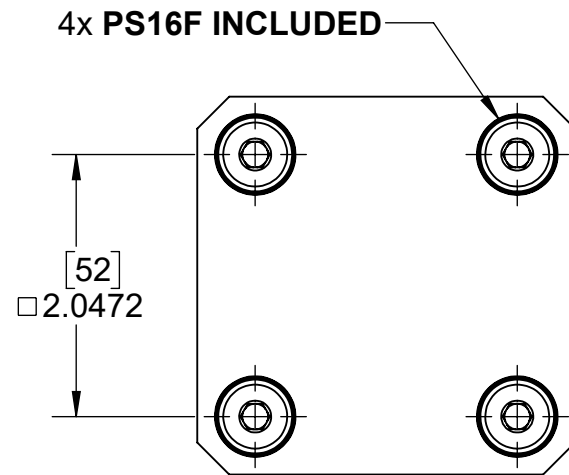
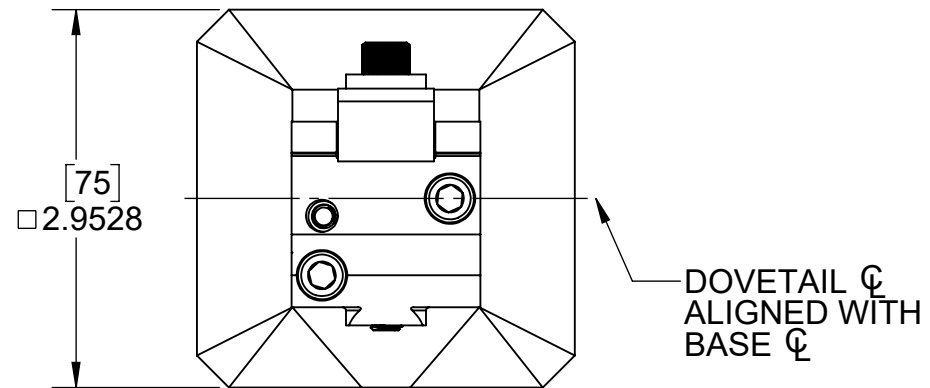
D

D

A52-D115

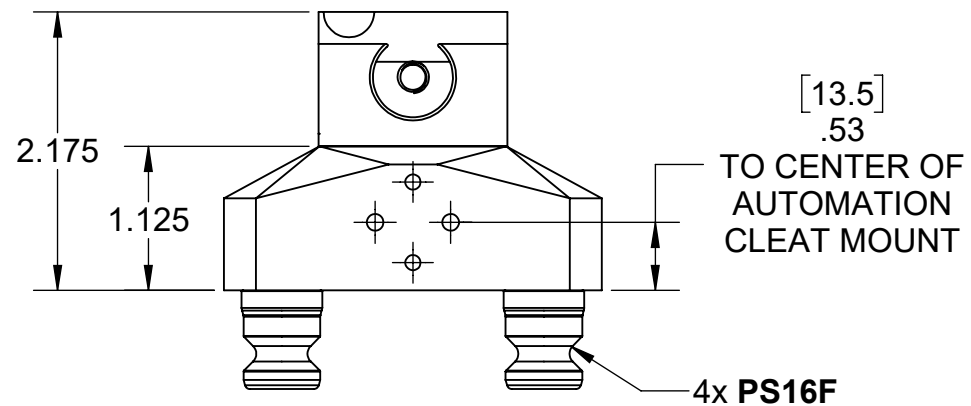
C

C




B

B



A

A

INCH				
WWW.5THAXIS.COM 7140 ENGINEER ROAD SAN DIEGO, CA 92111 P (858) 505-0432				
THIRD ANGLE PROJECTION		DESCRIPTION	D115 DOVETAIL TOP TOOLING	
SIZE	PART NO.	REV		
B	A52-D115	B		
DO NOT SCALE DRAWING		SCALE 2:3	WEIGHT:	SHEET 1 OF 2

8

7

6

5

4

3

2

1

8

7

6

5

4

3

2

1

D

D

A52-D115

C

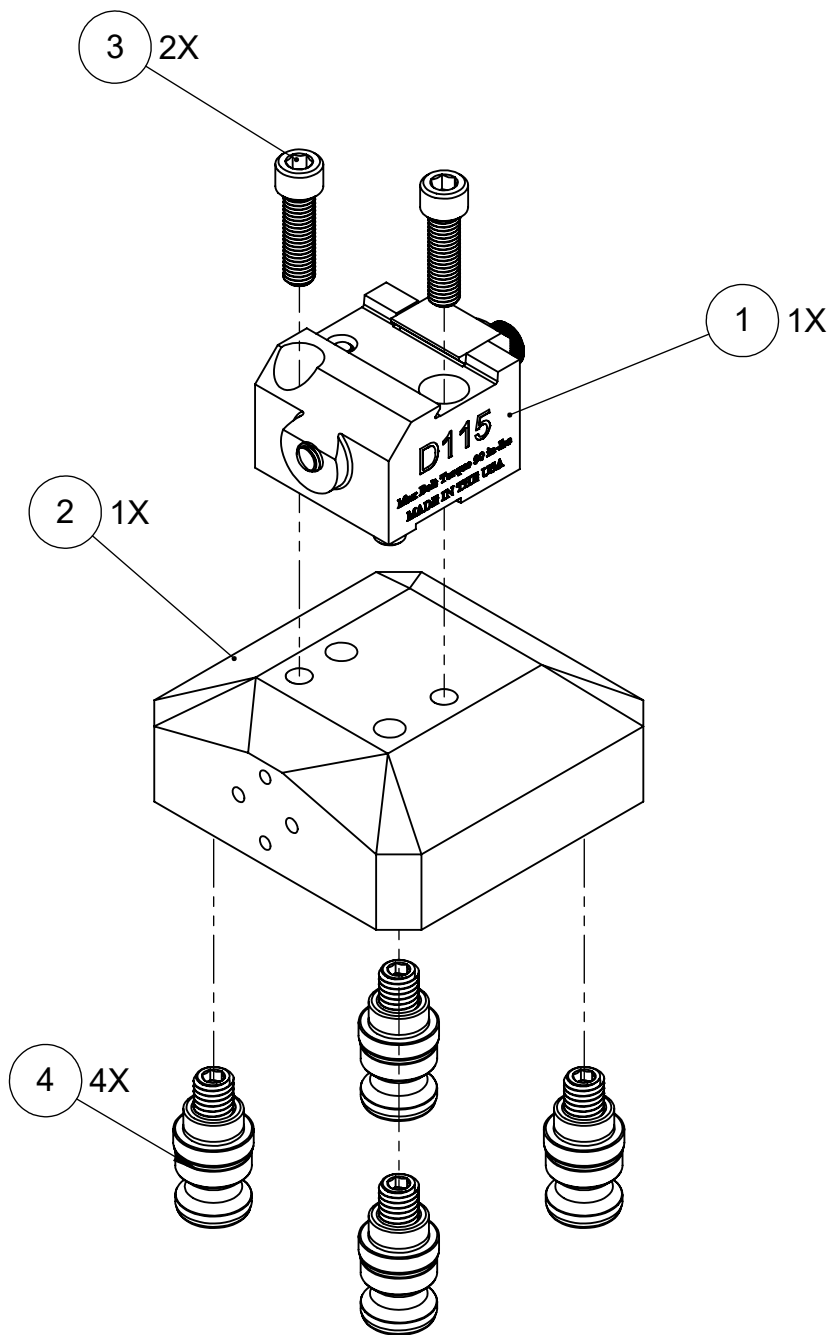
C

B


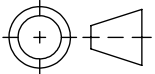
B

A

A



ITEM NO.	PART NUMBER	DESCRIPTION	QTY.
1	D115	DOVETAIL FIXTURE	1
2	A52-D115-1	ADAPTER	1
3	-	SOCKET HEAD SCREW, 1/4"-28x1-7/8"	2
4	PS16F	52mm PULL STUD	4
FOR REFERENCE ONLY - NOT FOR RESALE			

INCH			
WWW.5THAXIS.COM		DESCRIPTION	
7140 ENGINEER ROAD SAN DIEGO, CA 92111 P (858) 505-0432		D115 DOVETAIL TOP TOOLING	
THIRD ANGLE PROJECTION		SIZE	PART NO.
		B	A52-D115
DO NOT SCALE DRAWING		SCALE 2:3	WEIGHT:
SHEET 2 OF 2		REV	
B		B	

8

7

6

5

4

3

2

1