

8

7

6

5

4

3

2

1

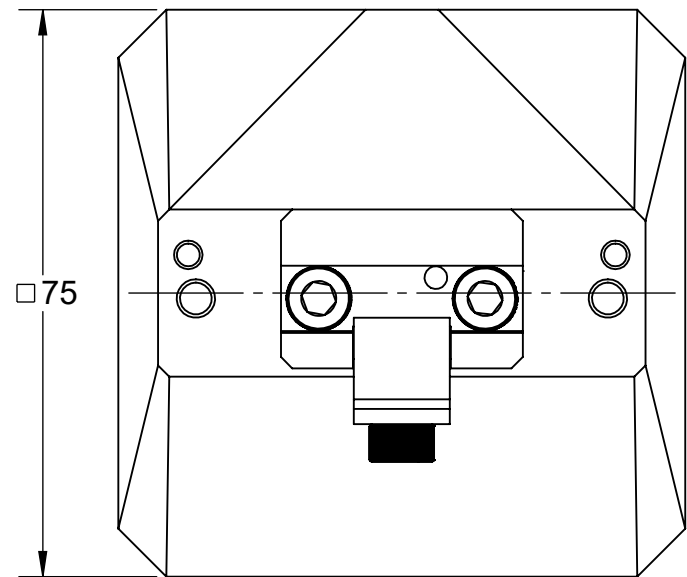
D

D

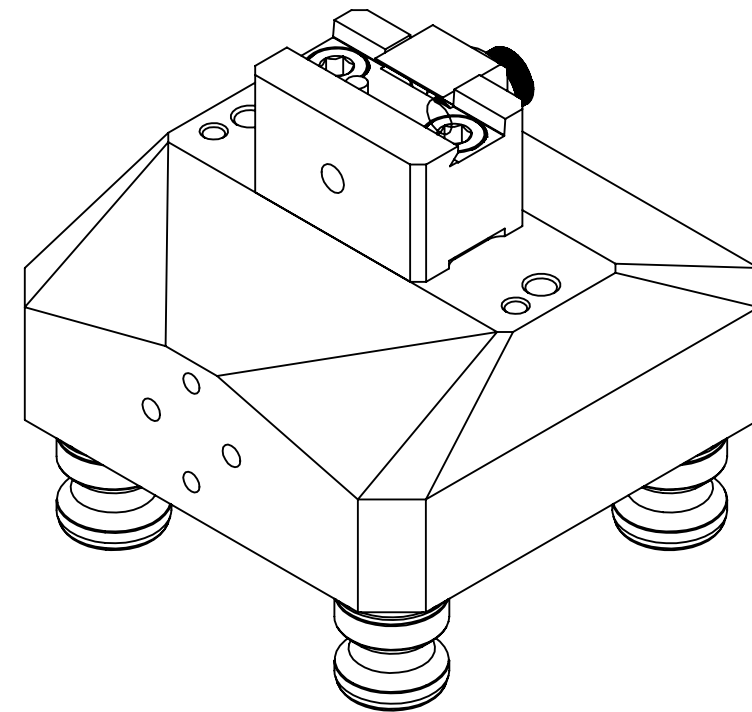
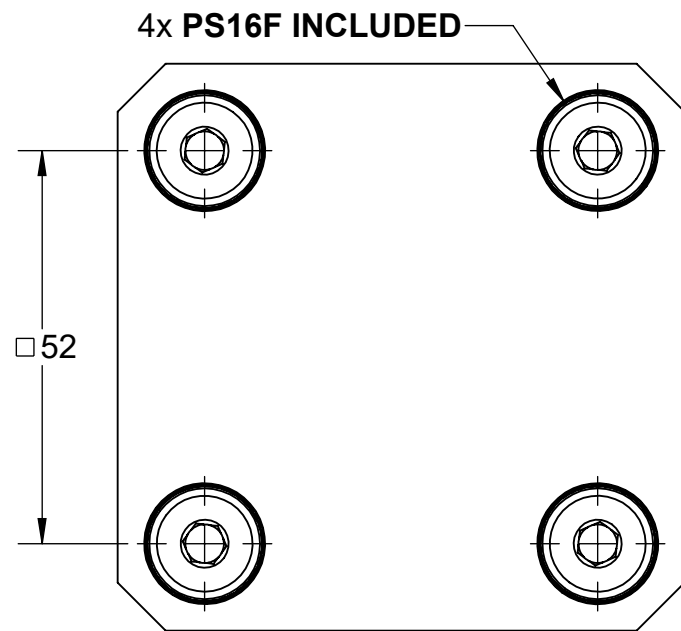
A52-DM12

C

C

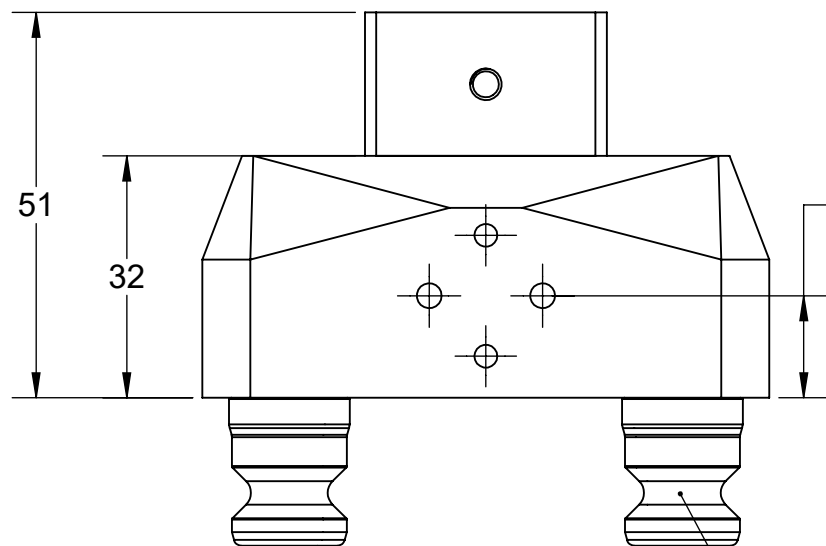


DOVETAIL ϕ
ALIGNED WITH
BASE ϕ



B

B




13.50
TO CENTER OF
AUTOMATION
CLEAT MOUNT

4x PS16F

A

A

MILLIMETER				
WWW.5THAXIS.COM 7140 ENGINEER ROAD SAN DIEGO, CA 92111 P (858) 505-0432				
THIRD ANGLE PROJECTION		DESCRIPTION	DM12 DOVETAIL TOP TOOLING	
SIZE	PART NO.	REV		
B	A52-DM12	B		
DO NOT SCALE DRAWING		SCALE 1:1	WEIGHT:	SHEET 1 OF 2

8

7

6

5

4

3

2

1

8

7

6

5

4

3

2

1

D

D

C

C

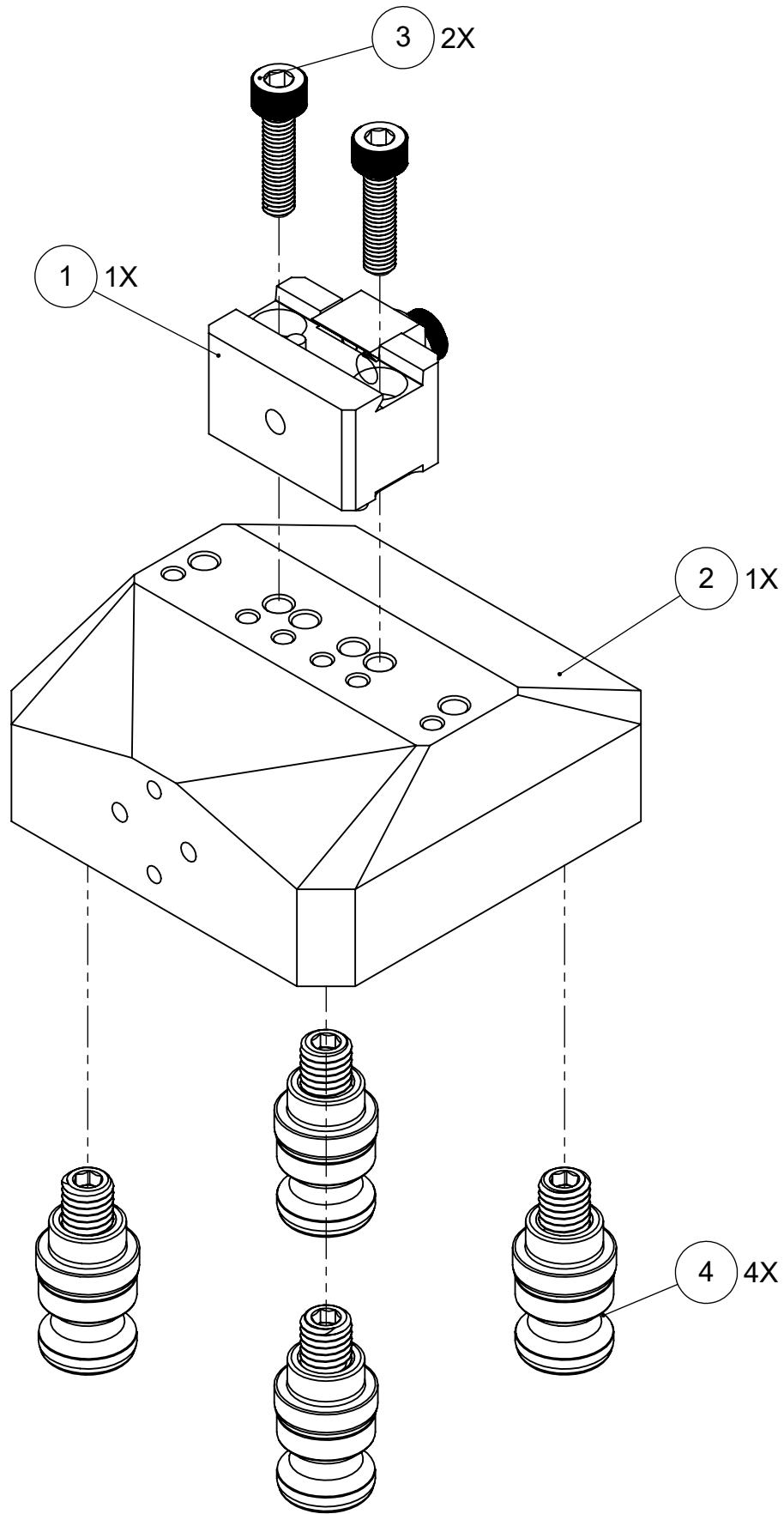
B

B

A

A

A52-DM12



ITEM NO.	PART NUMBER	DESCRIPTION	QTY.
1	DM12	DOVETAIL FIXTURE	1
2	A52-DM12-1	ADAPTER	1
3	-	SOCKET HEAD SCREW, M5x0.8x20mm	2
4	PS16F	52mm PULL STUD	4
FOR REFERENCE ONLY - NOT FOR RESALE			

MILLIMETER WWW.5THAXIS.COM 7140 ENGINEER ROAD SAN DIEGO, CA 92111 P (858) 505-0432			
	DESCRIPTION DM12 DOVETAIL TOP TOOLING		
THIRD ANGLE PROJECTION 	SIZE B	PART NO. A52-DM12	REV B
DO NOT SCALE DRAWING		SCALE 1:1	WEIGHT:
			SHEET 2 OF 2

8

7

6

5

4

3

2

1