

8

7

6

5

4

3

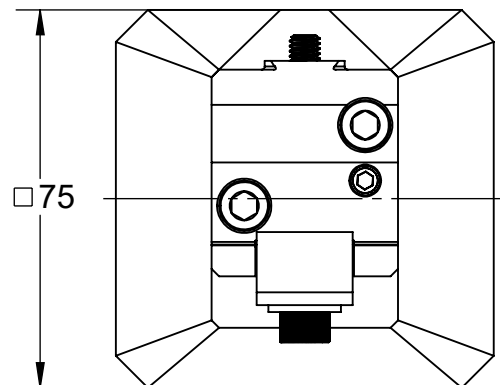
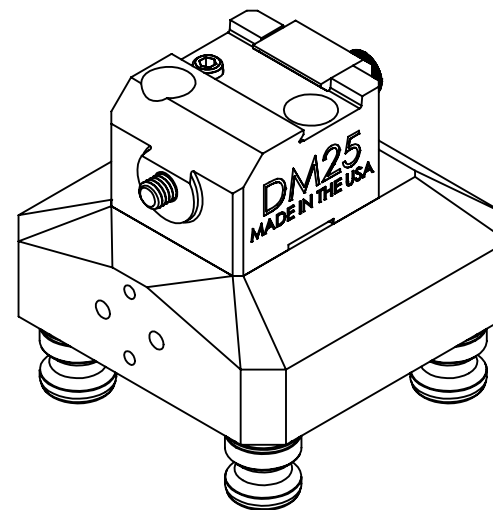
2

1

D

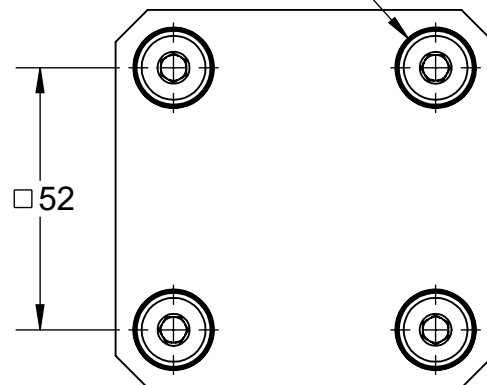
D

A52-DM25



DOVETAIL C
ALIGNED WITH
BASE C

4x PS16F INCLUDED

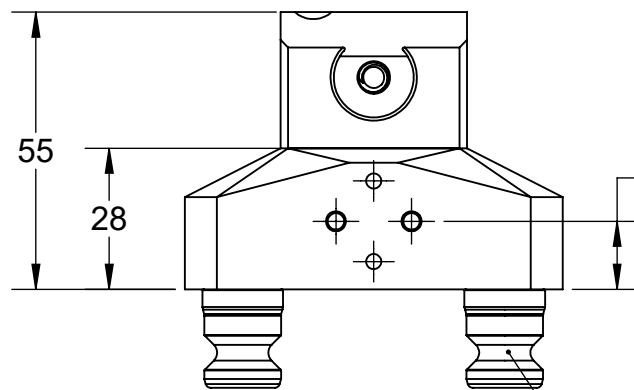


C

C

B

B




13.50
TO CENTER OF
AUTOMATION
CLEAT MOUNT

4x PS16F

A

A

| | | | | |
|--|-----------------|---|----------------------------------|--------------|
| MILLIMETER | |  | | |
| WWW.5THAXIS.COM 7140 ENGINEER ROAD SAN DIEGO, CA 92111 P (858) 505-0432 | | | | |
| THIRD ANGLE PROJECTION | | DESCRIPTION | DM25 DOVETAIL TOP TOOLING | |
| SIZE | PART NO. | REV | | |
| B | A52-DM25 | B | | |
| DO NOT SCALE DRAWING | | SCALE 2:3 | WEIGHT: | SHEET 1 OF 2 |

8

7

6

5

4

3

2

1

8

7

6

5

4

3

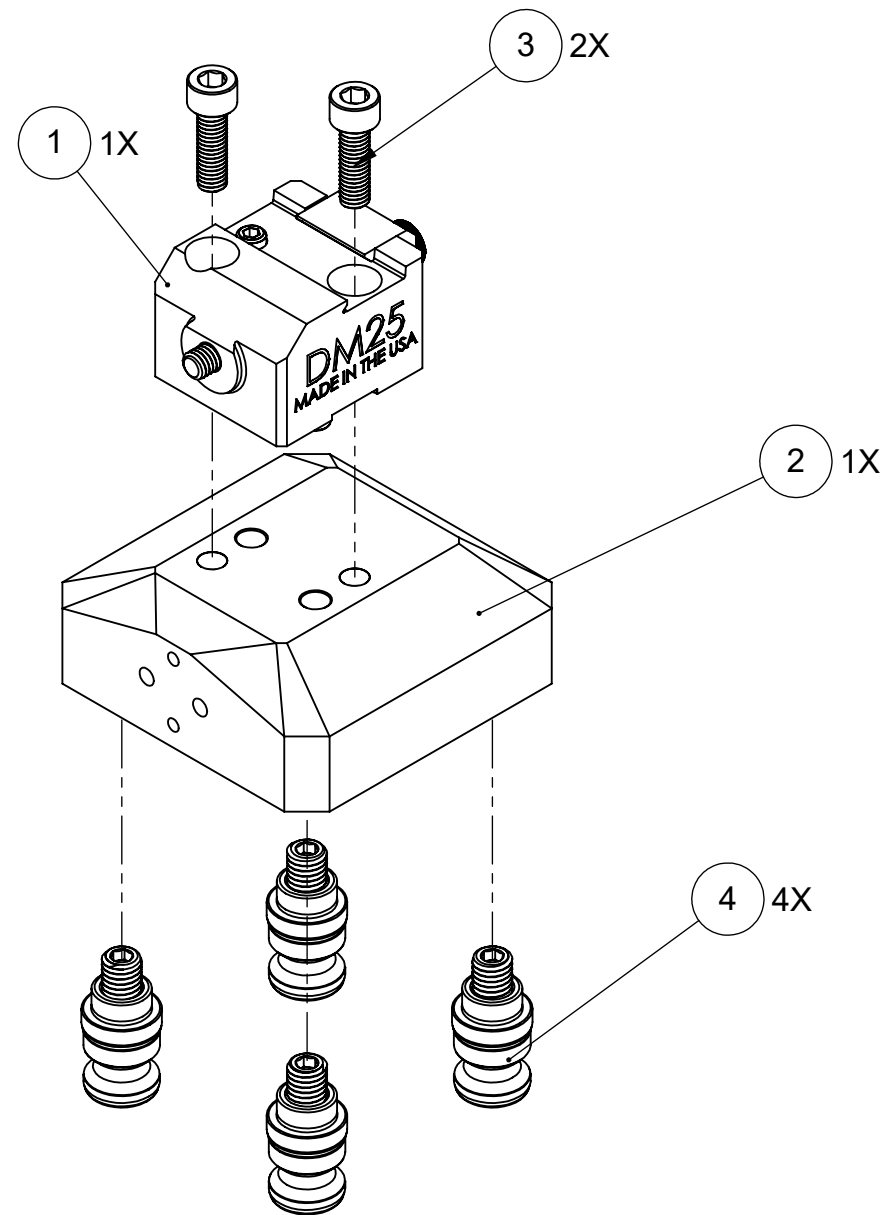
2

1

D

D

A52-DM25




| ITEM NO. | PART NUMBER | DESCRIPTION | QTY. |
|-------------------------------------|-------------|----------------------------------|------|
| 1 | DM25 | DOVETAIL FIXTURE | 1 |
| 2 | A52-DM25-1 | ADAPTER | 1 |
| 3 | - | SOCKET HEAD CAP SCREW, M6x1x20mm | 2 |
| 4 | PS16F | 52mm PULL STUD | 4 |
| FOR REFERENCE ONLY - NOT FOR RESALE | | | |

B

B

A

A

| | | | |
|--|-----------------------------|---|---------|
| MILLIMETER | |  | |
| WWW.5THAXIS.COM 7140 ENGINEER ROAD SAN DIEGO, CA 92111 P (858) 505-0432 | | | |
| THIRD ANGLE PROJECTION | | DM25 DOVETAIL TOP TOOLING | |
| SIZE B | PART NO. A52-DM25 | REV B | |
| DO NOT SCALE DRAWING | | SCALE 2:3 | WEIGHT: |
| | | SHEET 2 OF 2 | |

8

7

6

5

4

3

2

1