

8

7

6

5

4

3

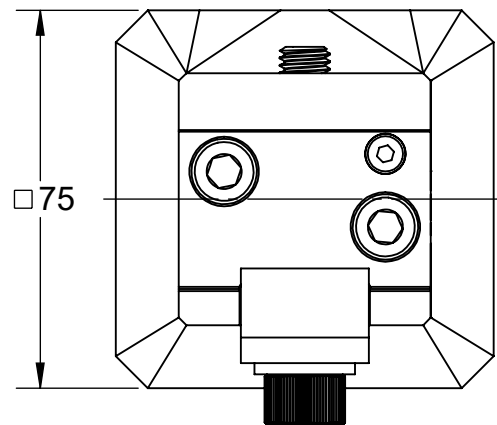
2

1

D

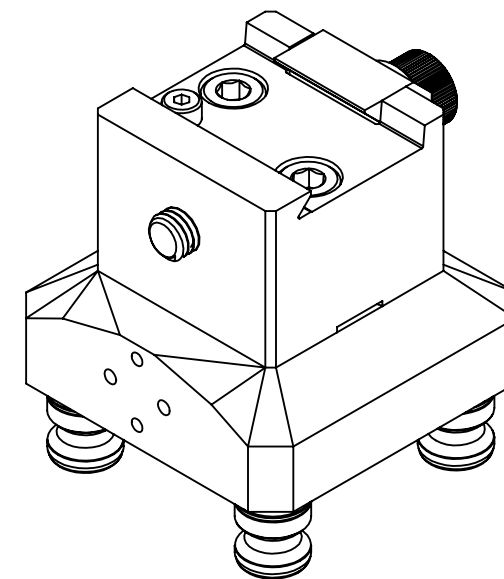
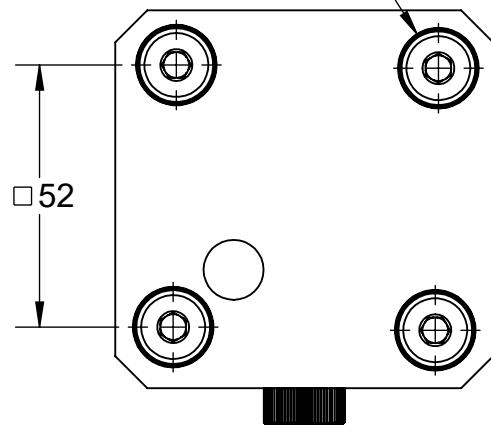
D

# A52-DM50



DOVETAIL  $\phi$   
ALIGNED WITH  
BASE  $\phi$

4x PS16F INCLUDED

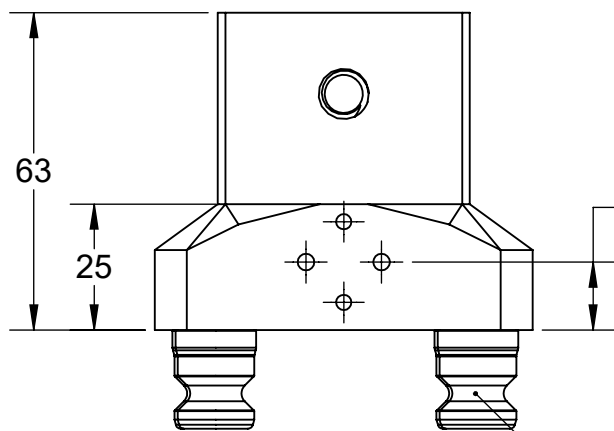


C

C

B

B




13.50  
TO CENTER OF  
AUTOMATION  
CLEAT MOUNT

4x PS16F

A

A

<b>MILLIMETER</b>				
WWW.5THAXIS.COM 7140 ENGINEER ROAD SAN DIEGO, CA 92111 P (858) 505-0432				
THIRD ANGLE PROJECTION		DESCRIPTION	<b>DM50 DOVETAIL TOP TOOLING</b>	
SIZE	PART NO.	<b>A52-DM50</b>		REV
<b>B</b>				<b>B</b>
DO NOT SCALE DRAWING		SCALE 2:3	WEIGHT:	SHEET 1 OF 2

8

7

6

5

4

3

2

1

8

7

6

5

4

3

2

1

D

D

C

C

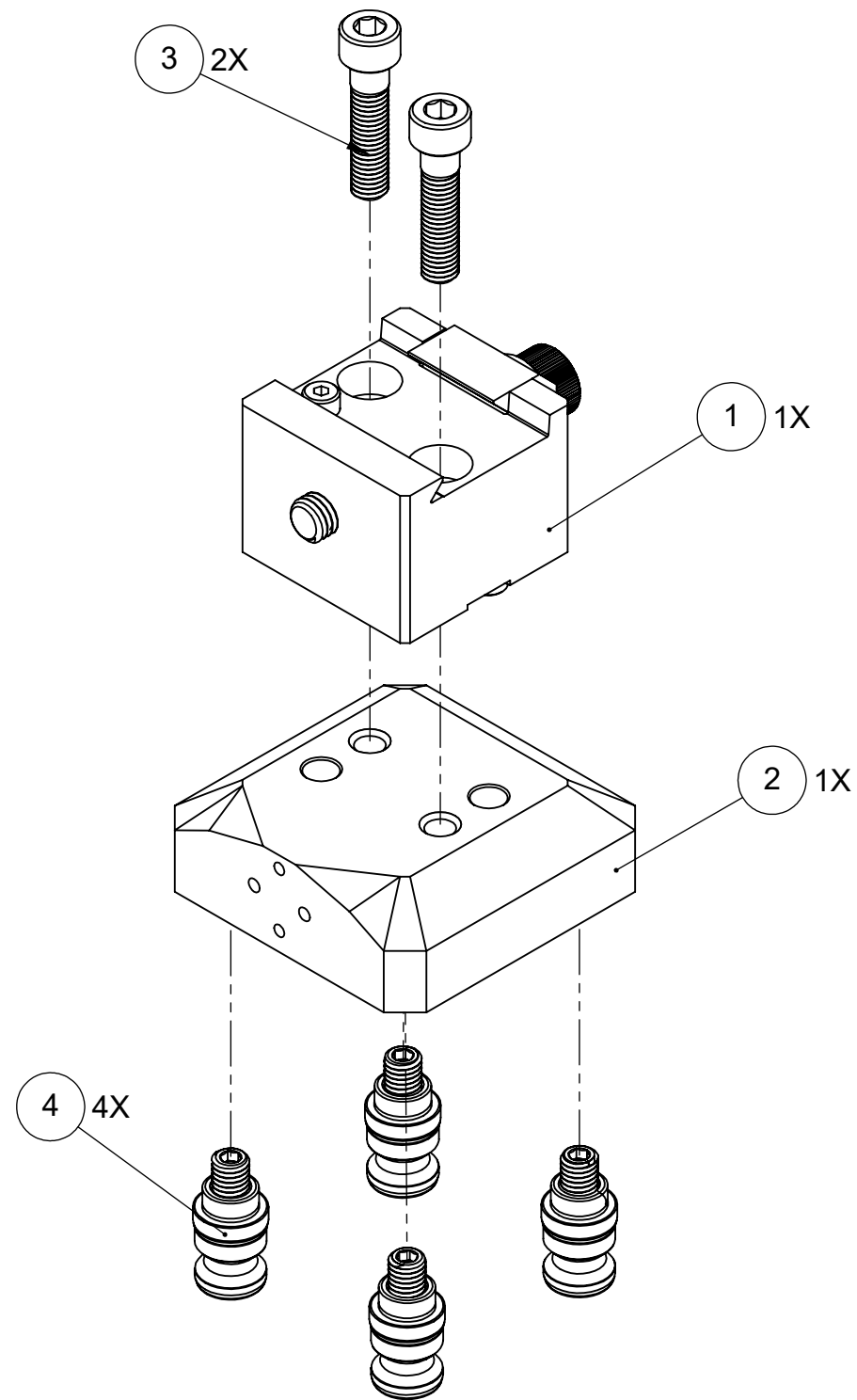
B

B


A

A

# A52-DM50



ITEM NO.	PART NUMBER	DESCRIPTION	QTY.
1	DM50	DOVETAIL FIXTURE	1
2	A52-DM50-1	ADAPTER	1
3	-	SOCKET HEAD CAP SCREW, M8-1.25x35	2
4	PS16F	52mm PULL STUD	4
<b>FOR REFERENCE ONLY - NOT FOR RESALE</b>			

<b>MILLIMETER</b>			
WWW.5THAXIS.COM 7140 ENGINEER ROAD SAN DIEGO, CA 92111 P (858) 505-0432			
THIRD ANGLE PROJECTION		<b>DM50 DOVETAIL TOP TOOLING</b>	
SIZE <b>B</b>	PART NO. <b>A52-DM50</b>	REV <b>B</b>	
DO NOT SCALE DRAWING		SCALE 2:3	WEIGHT:
		SHEET 2 OF 2	

8

7

6

5

4

3

2

1