

8

7

6

5

4

3

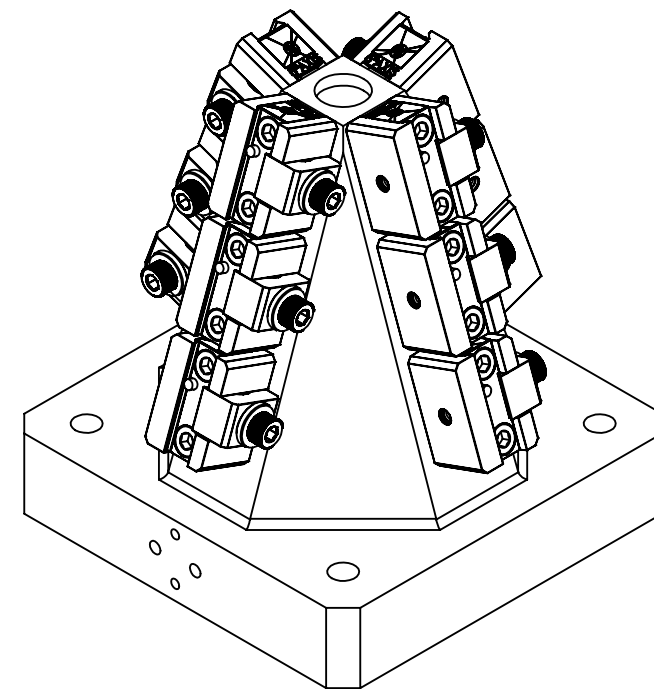
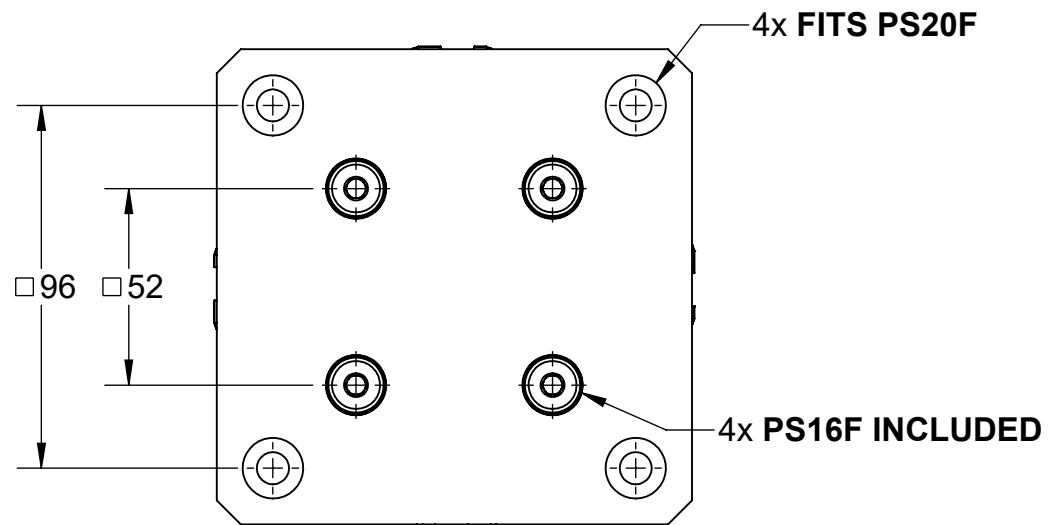
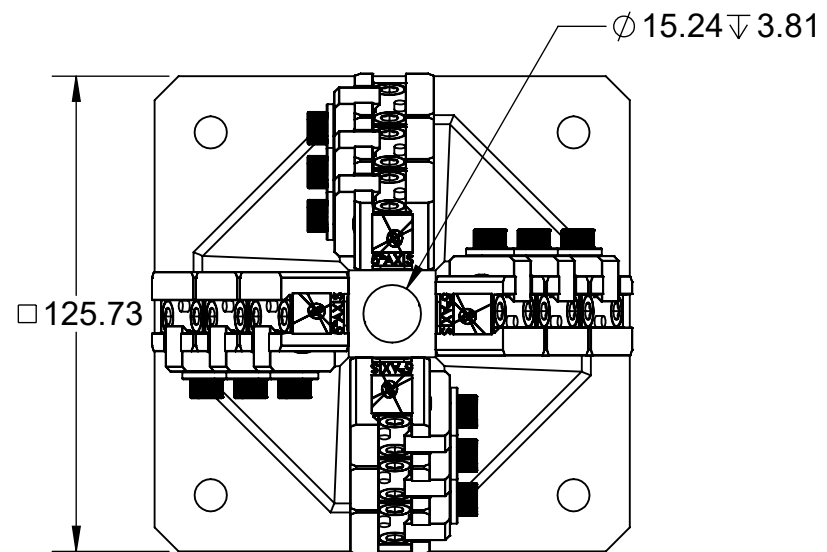
2

1

D

D

# A52-P12DM12

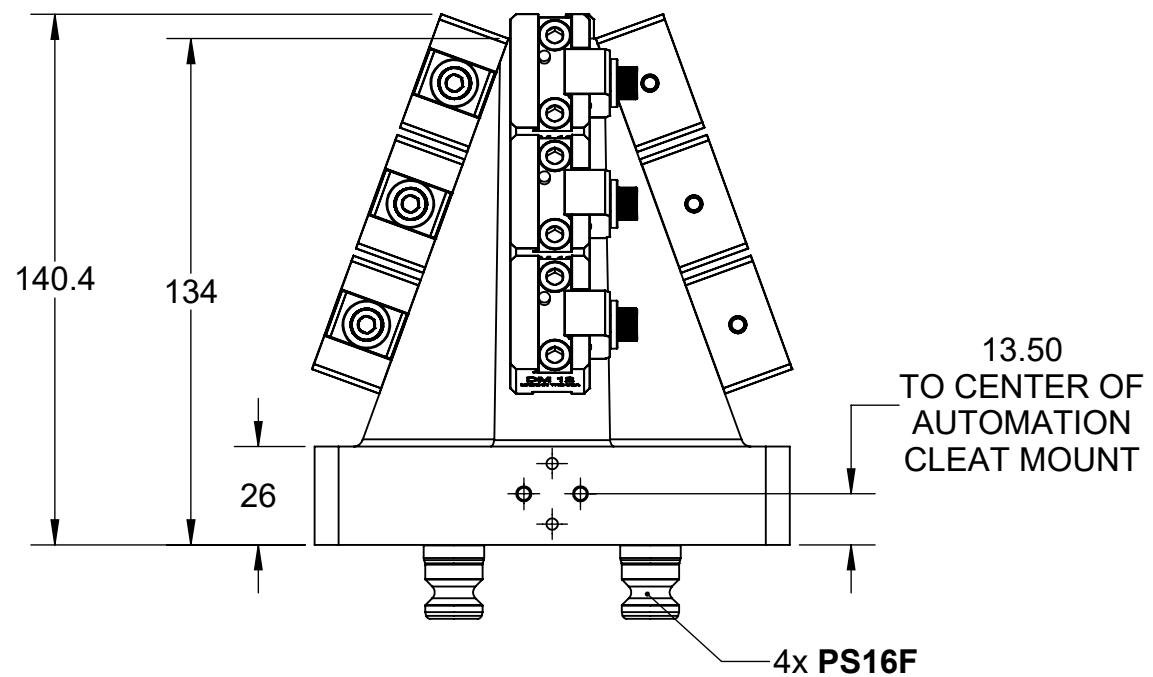


C

C


B

B



A

A

<b>MILLIMETER</b>				
WWW.5THAXIS.COM 7140 ENGINEER ROAD SAN DIEGO, CA 92111 P (858) 505-0432				
THIRD ANGLE PROJECTION		DESCRIPTION	<b>DM12 PYRAMID DOVETAIL TOP TOOLING</b>	
SIZE	PART NO.	<b>A52-P12DM12</b>		REV
<b>B</b>				<b>B</b>
DO NOT SCALE DRAWING		SCALE 1:2	WEIGHT:	SHEET 1 OF 2

8

7

6

5

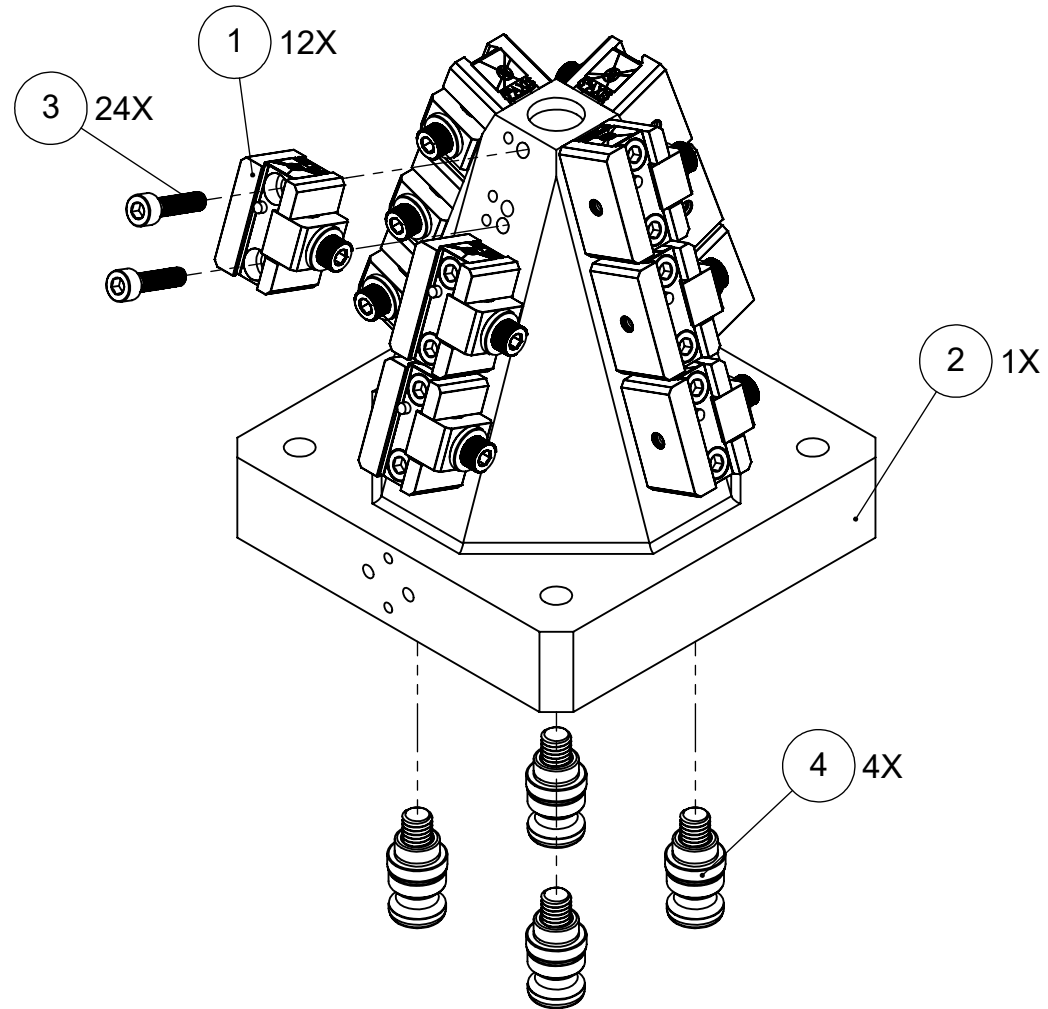
4

3


2

1

# A52-P12DM12



ITEM NO.	PART NUMBER	DESCRIPTION	QTY.
1	DM12	DOVETAIL FIXTURE	12
2	AU-P12DM12-1	UNIVERSAL P12DM12 BASE	1
3	-	SOCKET HEAD SCREW, M5x0.8x20mm	24
4	PS16F	52mm PULL STUD	4
<b>FOR REFERENCE ONLY - NOT FOR RESALE</b>			

<b>MILLIMETER</b> WWW.5THAXIS.COM 7140 ENGINEER ROAD SAN DIEGO, CA 92111 P (858) 505-0432			
	DESCRIPTION <b>DM12 PYRAMID DOVETAIL TOP TOOLING</b>		
THIRD ANGLE PROJECTION	SIZE <b>B</b>	PART NO. <b>A52-P12DM12</b>	REV <b>B</b>
DO NOT SCALE DRAWING		SCALE 1:2	WEIGHT:
		SHEET 2 OF 2	