

8

7

6

5

4

3

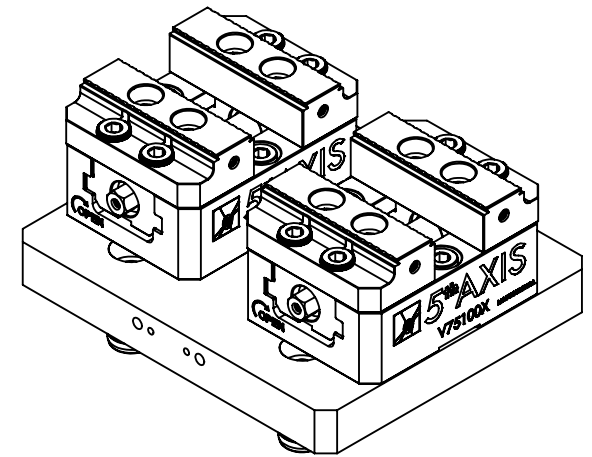
2

1

D

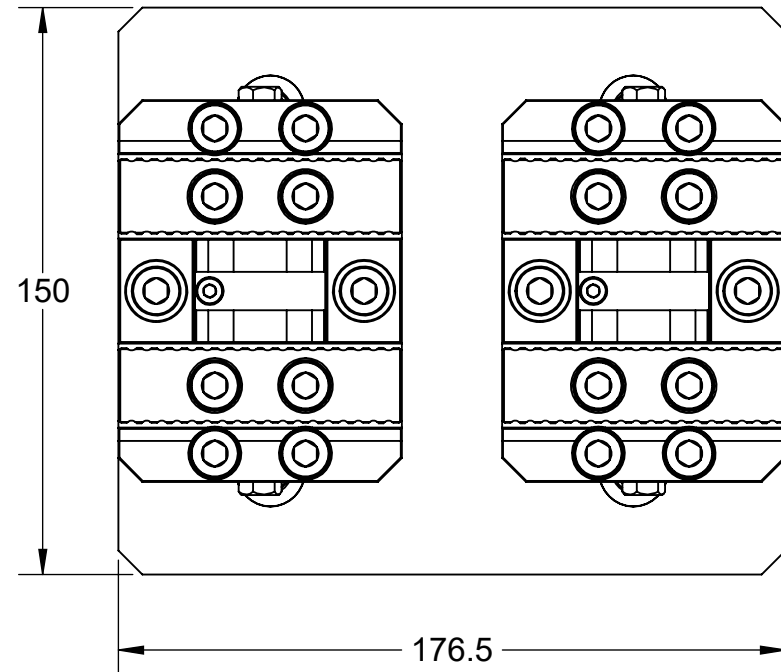
D

A96-2V75100X

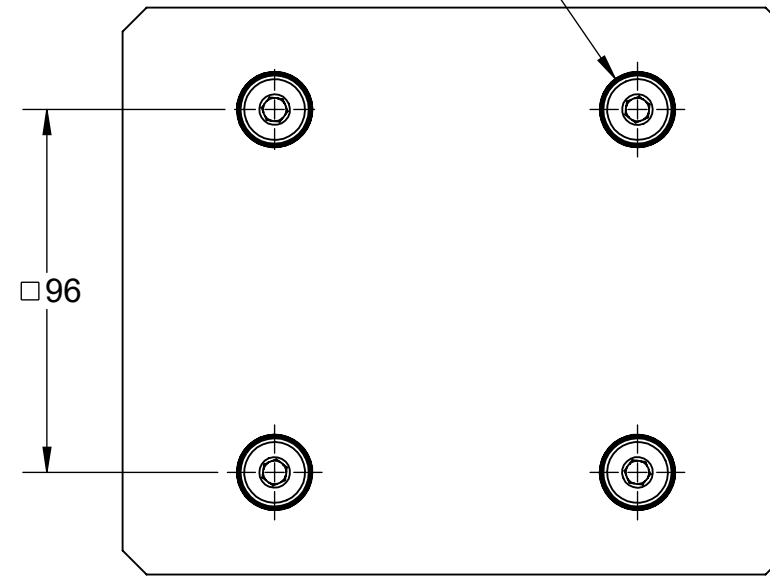


C

C

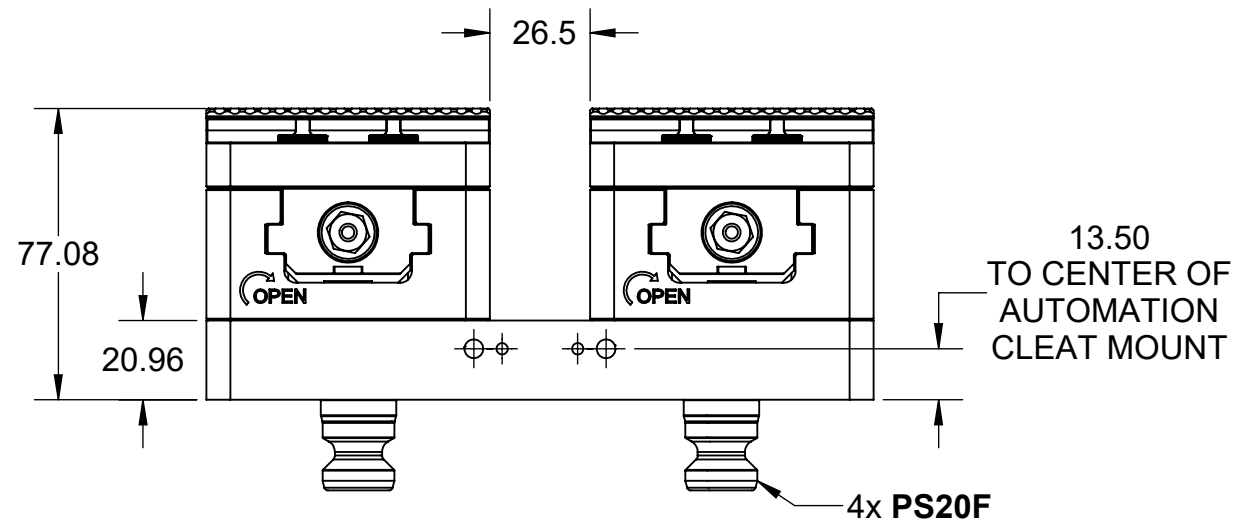


4x PS20F INCLUDED



B

B



A

A

| | | | | |
|--|---------------------|-------------|--|--------------|
| MILLIMETER | | | | |
| WWW.5THAXIS.COM 7140 ENGINEER ROAD SAN DIEGO, CA 92111 P (858) 505-0432 | | | | |
| THIRD ANGLE PROJECTION | | DESCRIPTION | SMALL SELF-CENTERING VISE TOP TOOLING | |
| SIZE | PART NO. | REV | | |
| B | A96-2V75100X | B | | |
| DO NOT SCALE DRAWING | | SCALE 1:2 | WEIGHT: | SHEET 1 OF 2 |

8

7

6

5

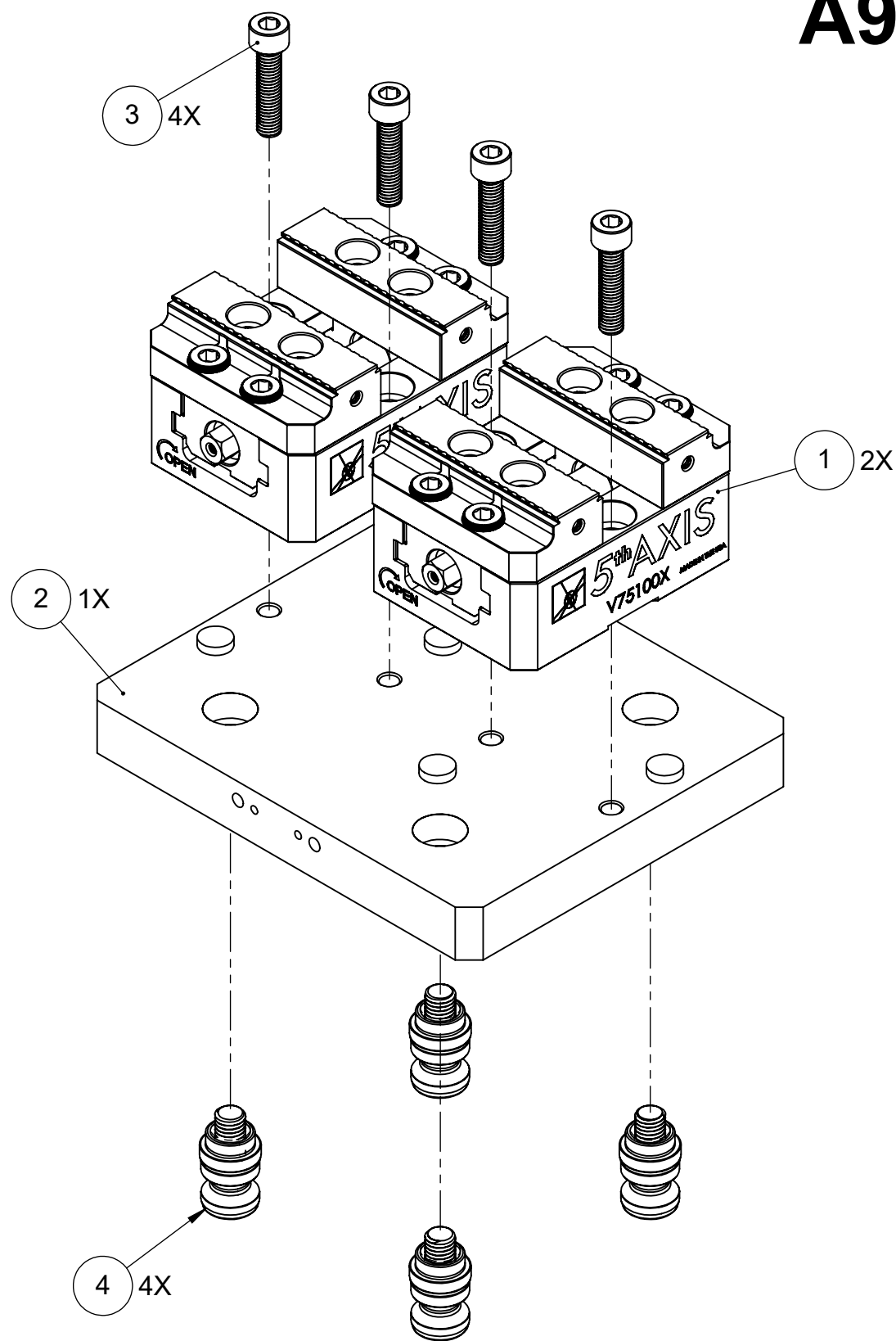
4

3


2

1

A96-2V75100X



| ITEM NO. | PART NUMBER | DESCRIPTION | QTY. |
|--|----------------|---------------------------------|------|
| 1 | V75100X | SMALL SELF-CENTERING VISE | 2 |
| 2 | A96-2V75100X-1 | ADAPTER | 1 |
| 3 | - | SOCKET HEAD SCREW, M8x1.25x35mm | 4 |
| 4 | PS20F | 96mm PULL STUD | 4 |
| FOR REFERENCE ONLY - NOT FOR RESALE | | | |

| | | | |
|---|---|---------------------------------|-----------------|
| MILLIMETER WWW.5THAXIS.COM 7140 ENGINEER ROAD SAN DIEGO, CA 92111 P (858) 505-0432 |  | | |
| | DESCRIPTION SMALL SELF-CENTERING VISE TOP TOOLING | | |
| THIRD ANGLE PROJECTION | SIZE B | PART NO. A96-2V75100X | REV B |
| DO NOT SCALE DRAWING | | SCALE 1:2 | WEIGHT: |
| | | SHEET 2 OF 2 | |