

8

7

6

5

4

3

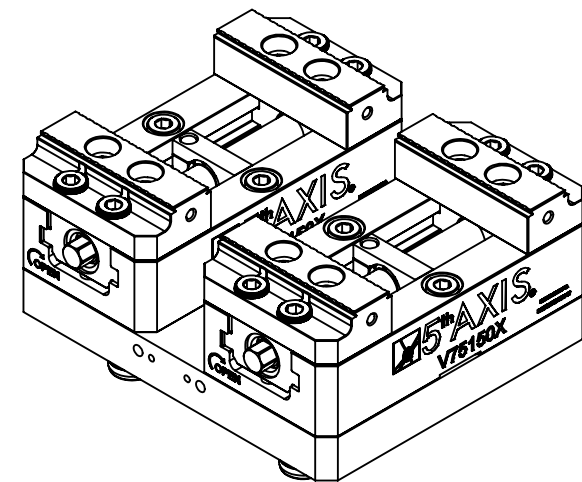
2

1

D

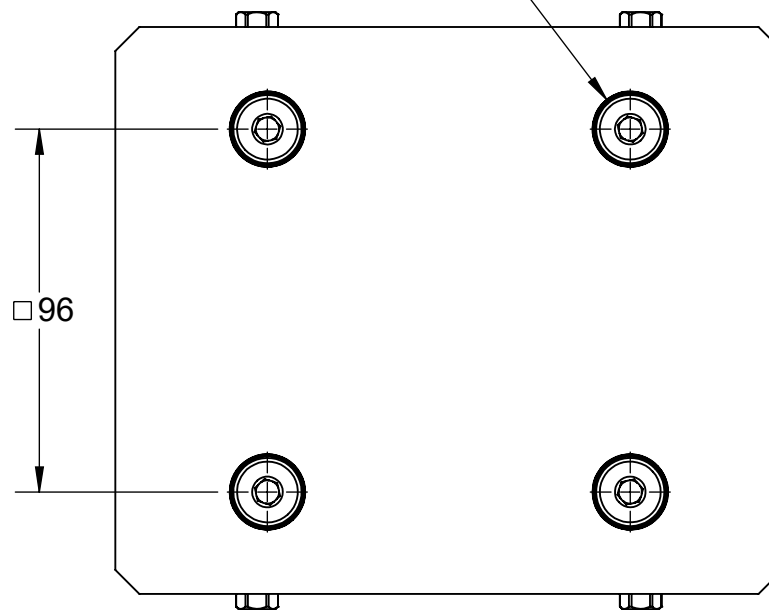
D

A96-2V75150X

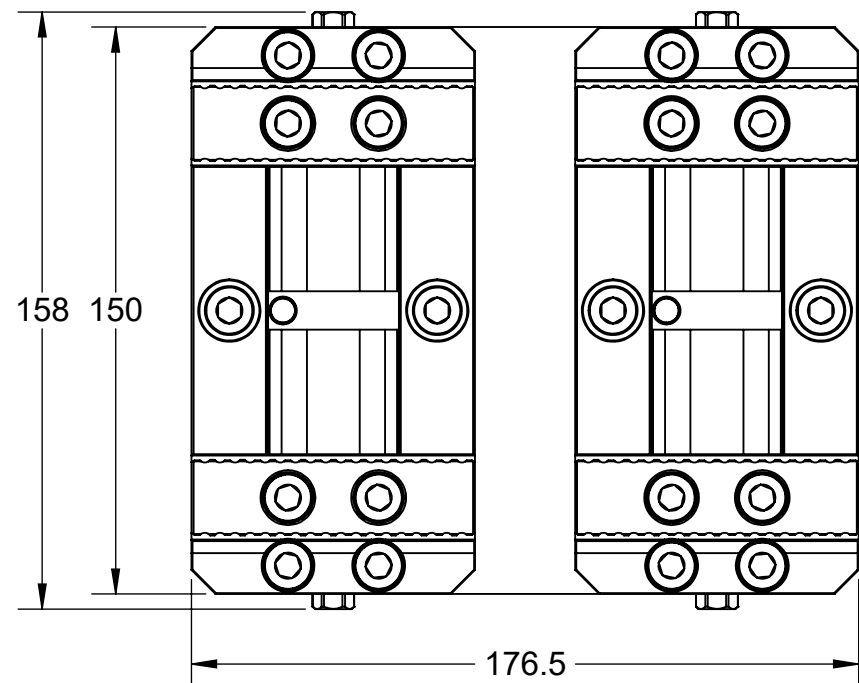


D

4x PS20F INCLUDED

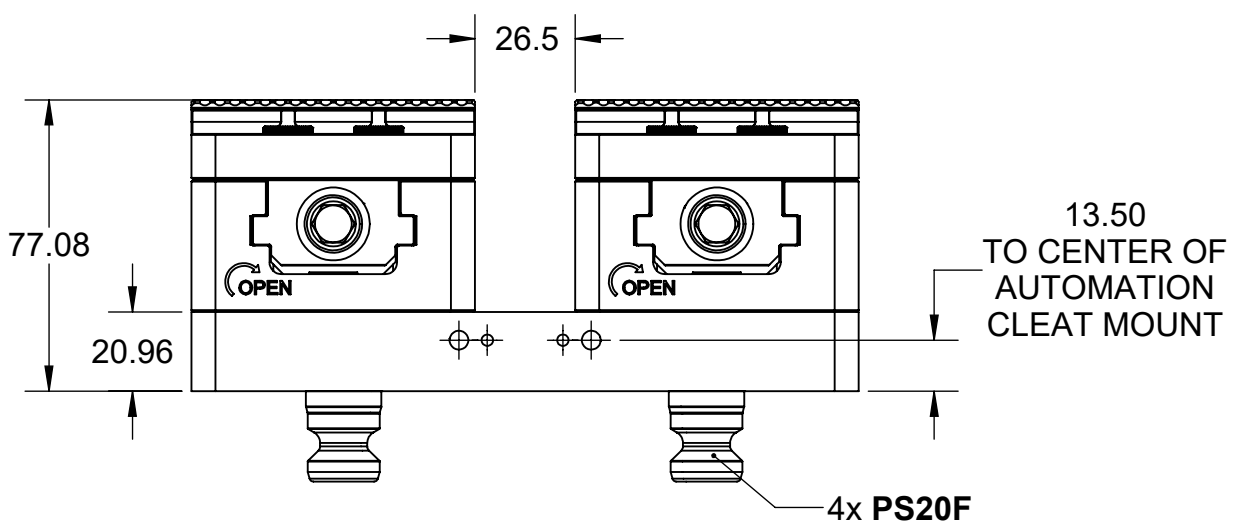


C




C

B



B

A

MILLIMETER				
WWW.5THAXIS.COM 7140 ENGINEER ROAD SAN DIEGO, CA 92111 P (858) 505-0432				
THIRD ANGLE PROJECTION		DESCRIPTION	MEDIUM SELF-CENTERING VISE TOP TOOLING	
SIZE	PART NO.	REV		
B	A96-2V75150X	B		
DO NOT SCALE DRAWING		SCALE 1:2	WEIGHT:	SHEET 1 OF 2

8

7

6

5

4

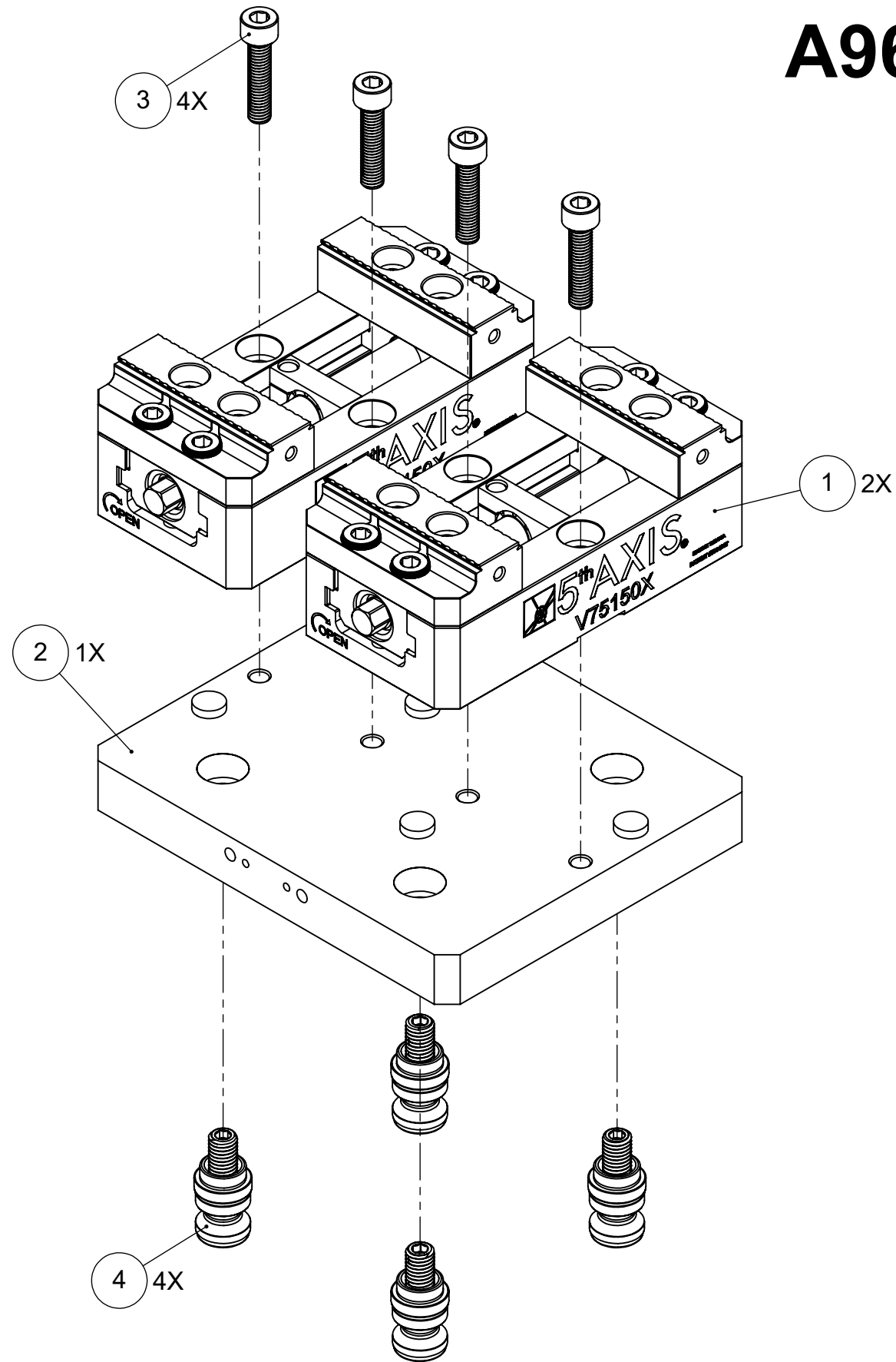
3

2


1

A

A96-2V75150X



ITEM NO.	PART NUMBER	DESCRIPTION	QTY.
1	V75150X	SMALL SELF-CENTERING VISE	2
2	A96-2V75100X-1	ADAPTER	1
3	-	SOCKET HEAD SCREW, M8x1.25x35mm	4
4	PS20F	96mm PULL STUD	4
FOR REFERENCE ONLY - NOT FOR RESALE			

MILLIMETER WWW.5THAXIS.COM 7140 ENGINEER ROAD SAN DIEGO, CA 92111 P (858) 505-0432			
	DESCRIPTION MEDIUM SELF-CENTERING VISE TOP TOOLING		
THIRD ANGLE PROJECTION	SIZE B	PART NO. A96-2V75150X	REV B
DO NOT SCALE DRAWING		SCALE 1:2	WEIGHT:
			SHEET 2 OF 2