

8

7

6

5

4

3

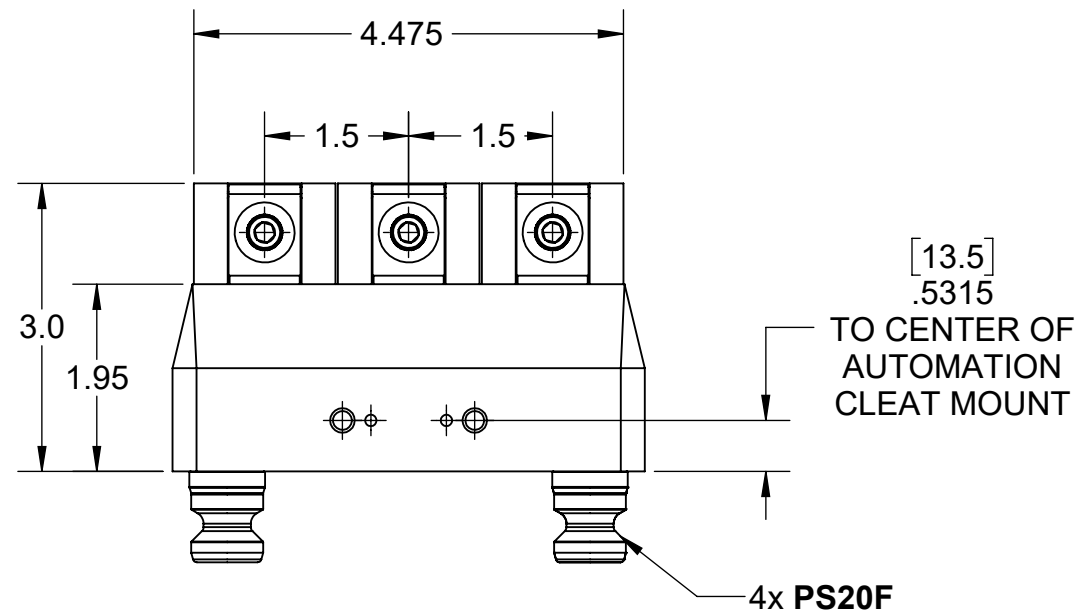
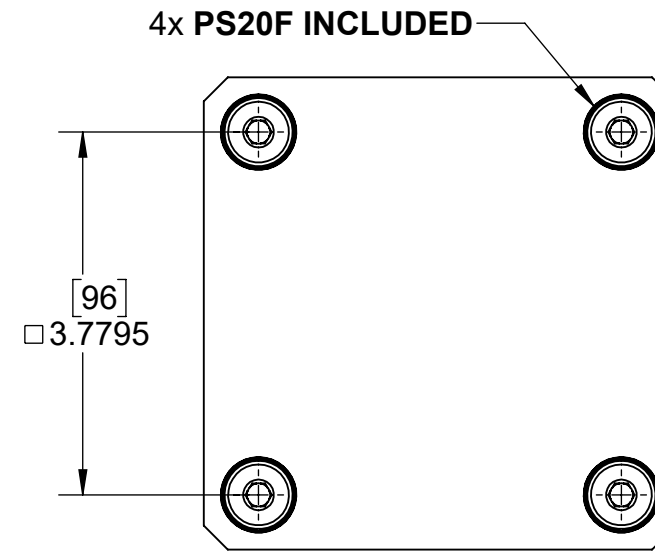
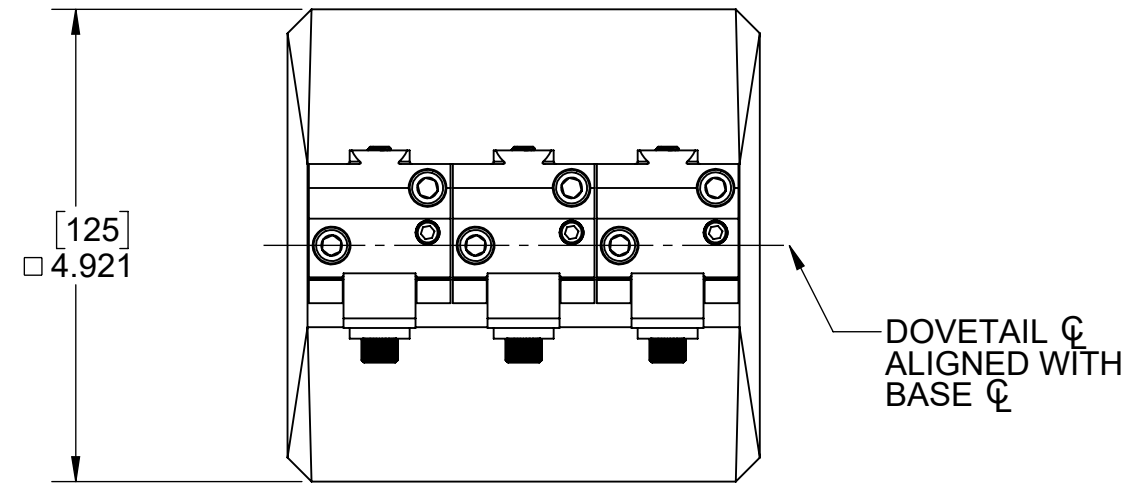
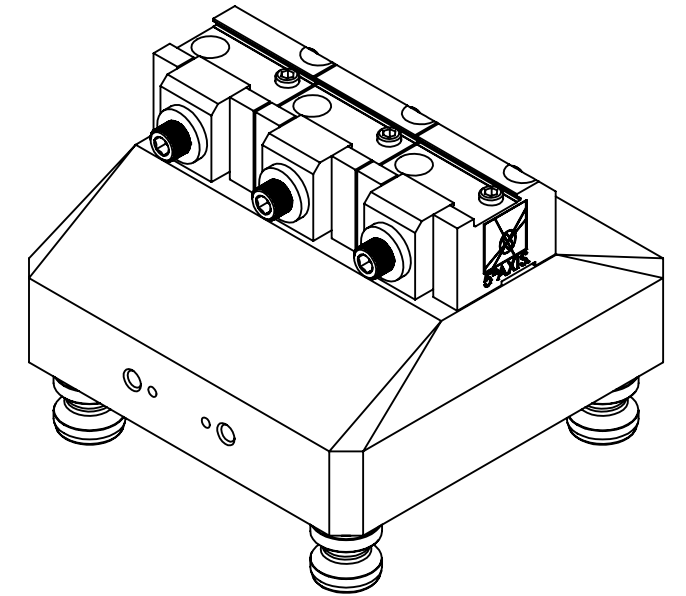
2

1

D

D

A96-3D115



C


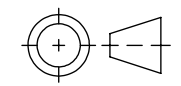
C

B

B

A

A

INCH				
WWW.5THAXIS.COM		D115 DOVETAIL TOP TOOLING		
7140 ENGINEER ROAD SAN DIEGO, CA 92111 P (858) 505-0432				
THIRD ANGLE PROJECTION		SIZE	PART NO.	REV
		B	A96-3D115	B
DO NOT SCALE DRAWING		SCALE 1:1	WEIGHT:	SHEET 1 OF 2

8

7

6

5

4

3

2

1

8

7

6

5

4

3

2

1

D

D

C

C

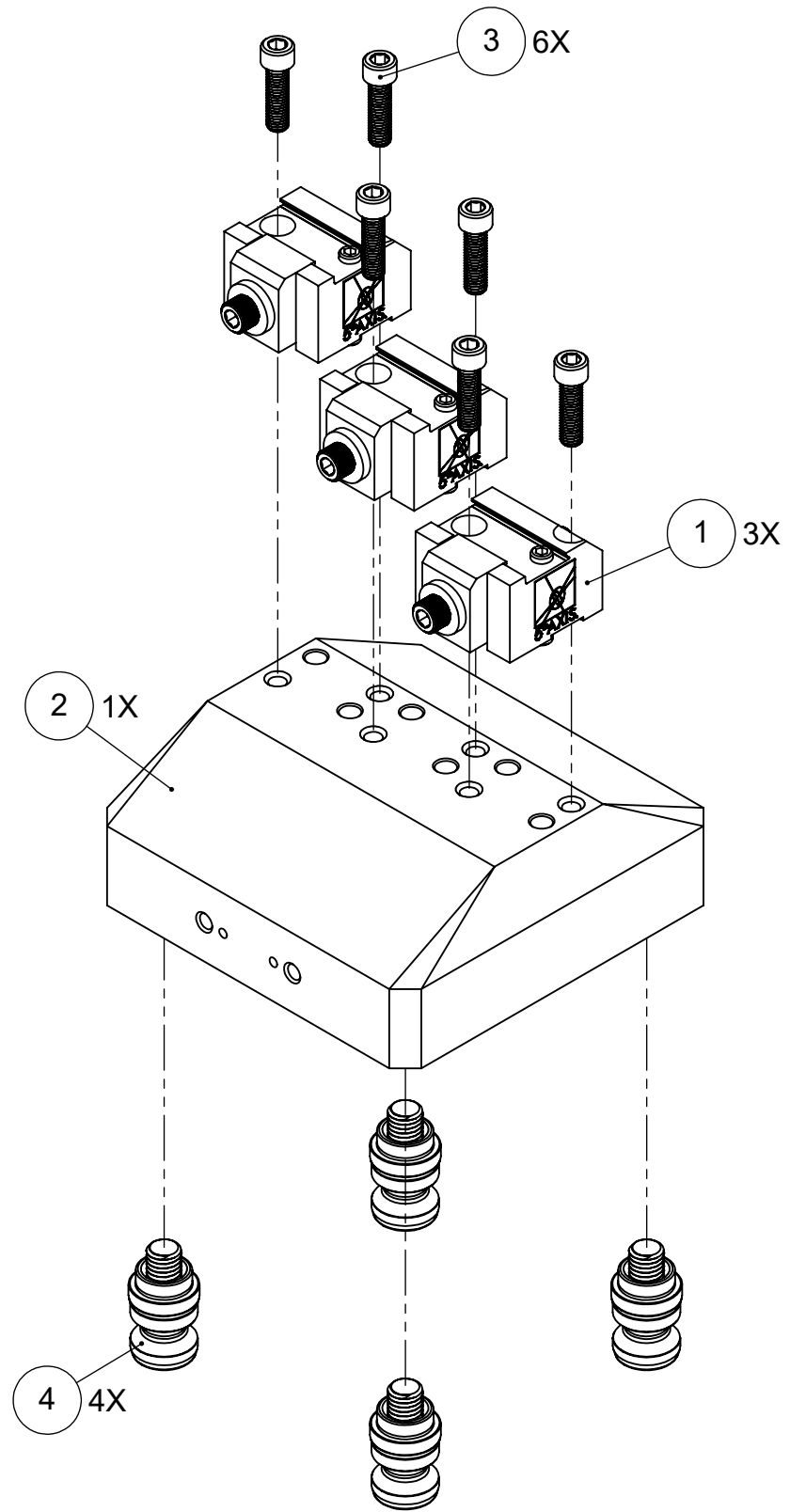
B

B


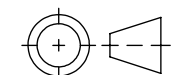
A

A

A96-3D115



ITEM NO.	PART NUMBER	DESCRIPTION	QTY.
1	D115	DOVETAIL FIXTURE	3
2	A96-3D115-1	96MM ROCKLOCK, RISER, D115	1
3	-	SOCKET HEAD SCREW, 1/4"-28x1-7/8"	6
4	PS20F	96mm PULL STUD	4
FOR REFERENCE ONLY - NOT FOR RESALE			

INCH			
WWW.5THAXIS.COM		DESCRIPTION	
7140 ENGINEER ROAD SAN DIEGO, CA 92111 P (858) 505-0432		D115 DOVETAIL TOP TOOLING	
THIRD ANGLE PROJECTION		SIZE	REV
		B	B
		PART NO.	
		A96-3D115	
DO NOT SCALE DRAWING		SCALE 1:1	WEIGHT:
		SHEET 2 OF 2	

8

7

6

5

4

3

2

1