

8

7

6

5

4

3

2

1

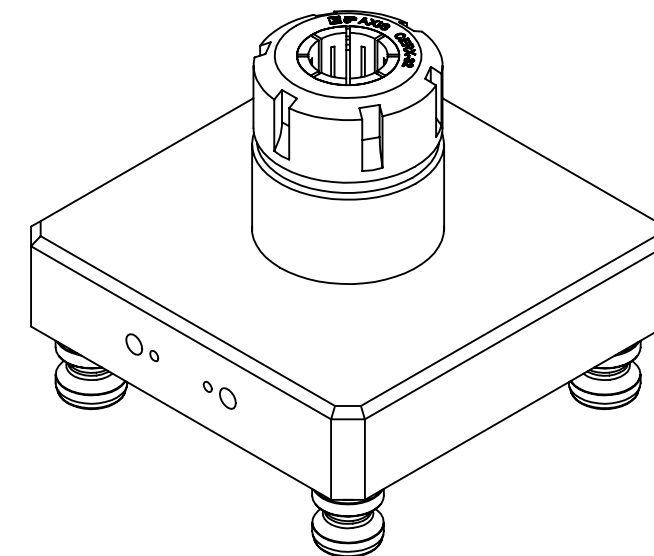
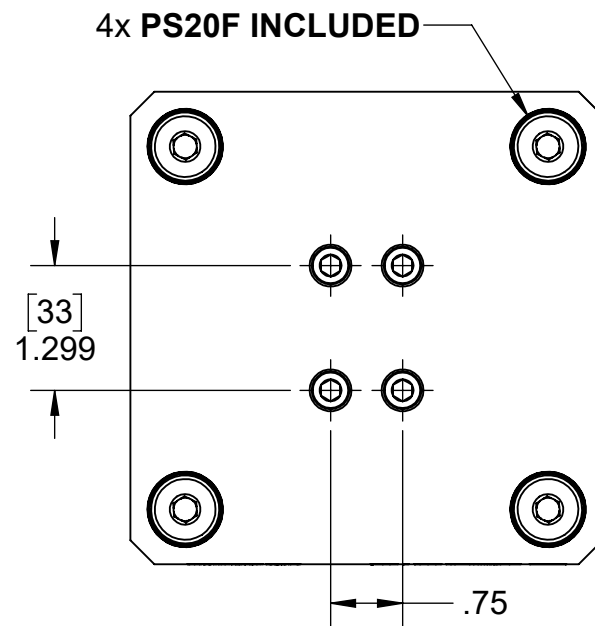
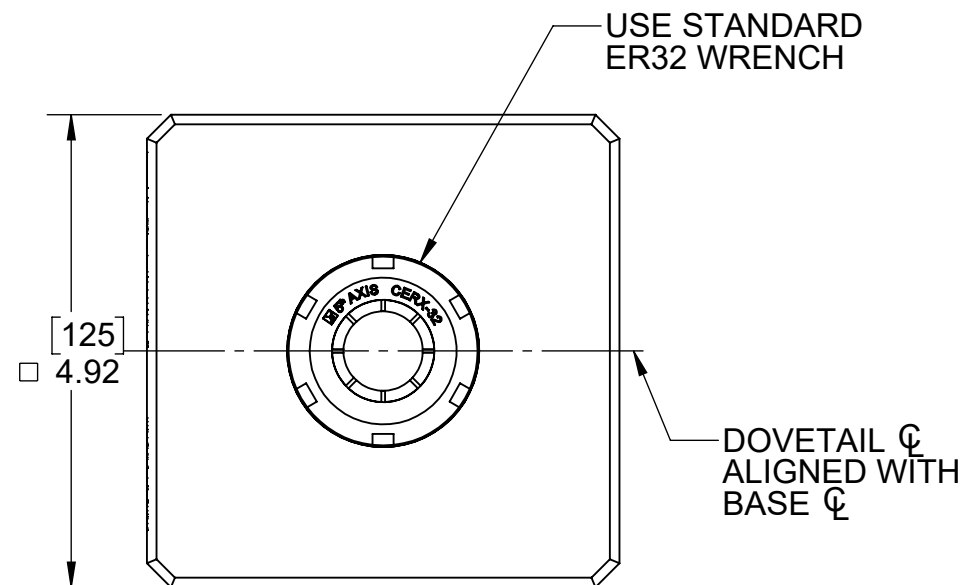
D

D

A96-CERX-32

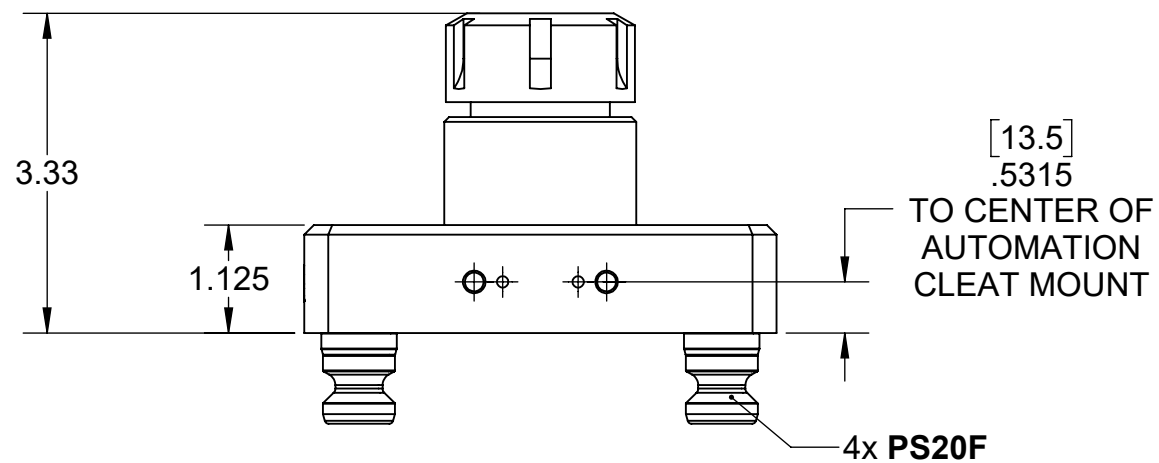
C

C




B

B



A

A

INCH				
WWW.5THAXIS.COM 7140 ENGINEER ROAD SAN DIEGO, CA 92111 P (858) 505-0432				
THIRD ANGLE PROJECTION		DESCRIPTION	ROUND BAR FIXTURE TOP TOOLING	
SIZE	PART NO.	A96-CERX-32		REV
B				B
DO NOT SCALE DRAWING		SCALE 1:2	WEIGHT:	SHEET 1 OF 2

8

7

6

5

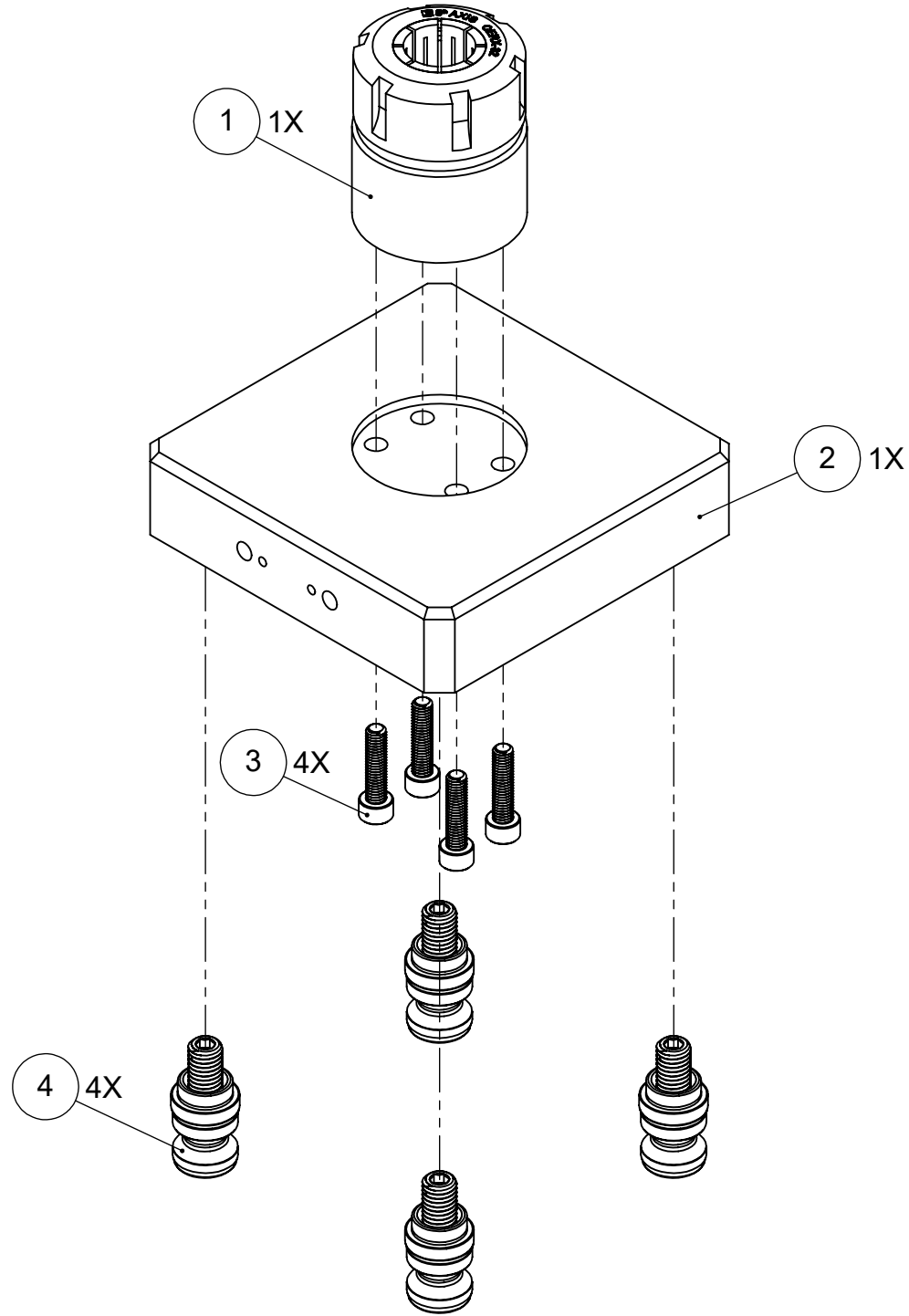
4

3


2

1

A96-CERX-32



ITEM NO.	PART NUMBER	DESCRIPTION	QTY.
1	CERX-32	ROUND BAR FIXTURE	1
2	A96-CERX-1	96MM ROCKLOCK, RISER, CER40, CER32	1
3	-	M6-1mm x 25mm SHCS	4
4	PS20F	96mm PULL STUD	4
FOR REFERENCE ONLY - NOT FOR RESALE			

INCH				
WWW.5THAXIS.COM		DESCRIPTION ROUND BAR FIXTURE TOP TOOLING		
7140 ENGINEER ROAD SAN DIEGO, CA 92111 P (858) 505-0432				
THIRD ANGLE PROJECTION		SIZE B	PART NO. A96-CERX-32	REV B
DO NOT SCALE DRAWING		SCALE 1:2	WEIGHT:	SHEET 2 OF 2

8

7

6

5

4

3

2

1

D

D

C

C

B

B

A

A

8

7

6

5

4

3

2

1