

8

7

6

5

4

3

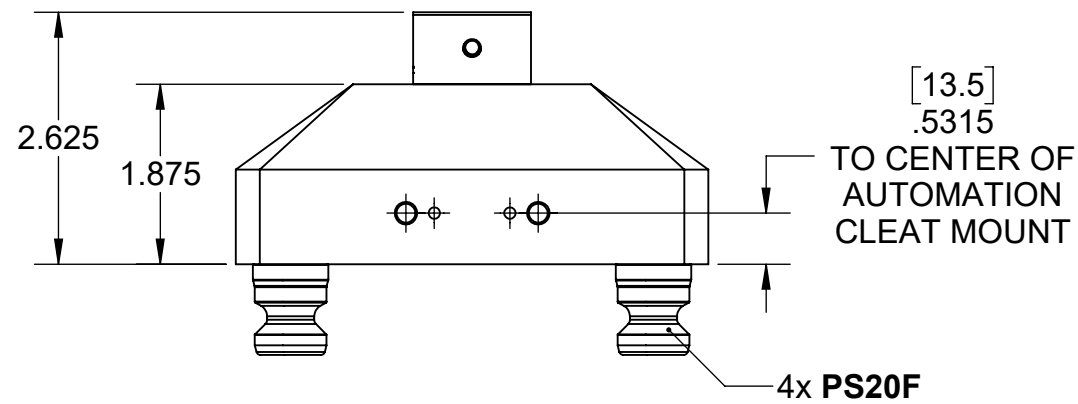
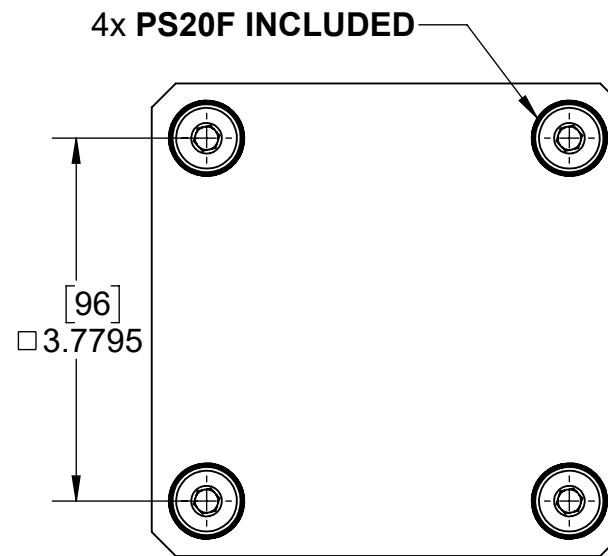
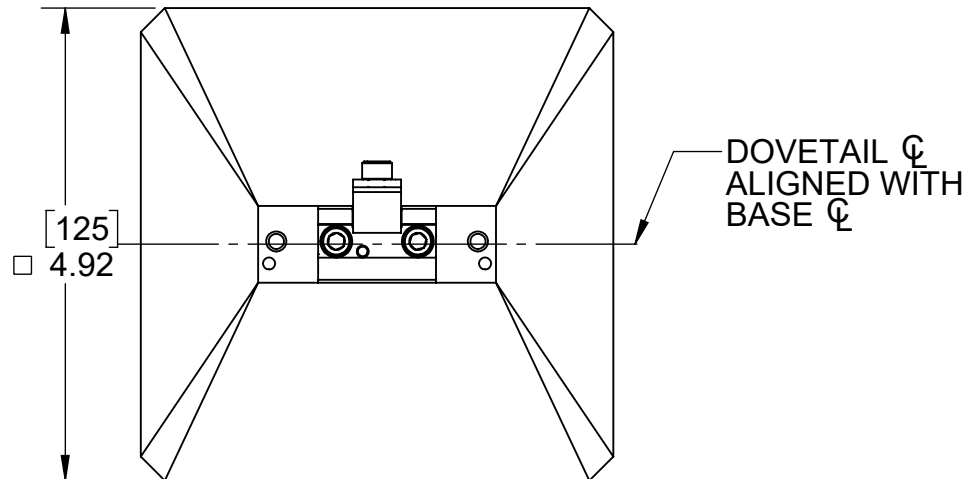
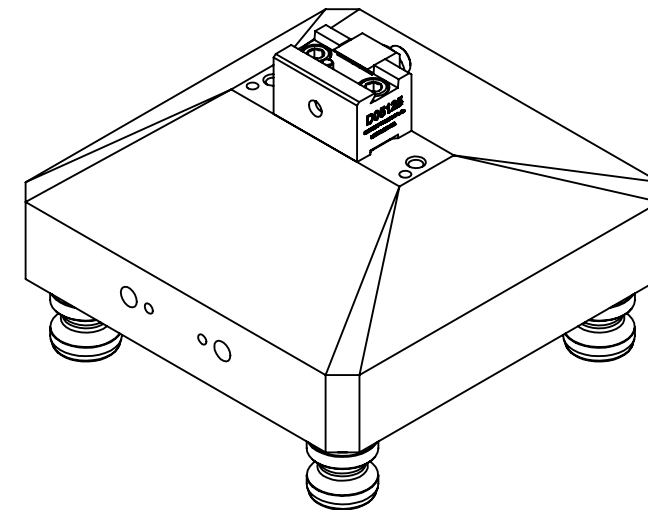
2

1

D

D

A96-D05125



C

C

B

B

A

A

8

7

6


5

4

3

2

1

INCH				
WWW.5THAXIS.COM 7140 ENGINEER ROAD SAN DIEGO, CA 92111 P (858) 505-0432				
THIRD ANGLE PROJECTION		DESCRIPTION	D05125 DOVETAIL TOP TOOLING	
SIZE	PART NO.	REV		
B	A96-2D05125	B		
DO NOT SCALE DRAWING		SCALE 1:2	WEIGHT:	SHEET 1 OF 2

8

7

6

5

4

3

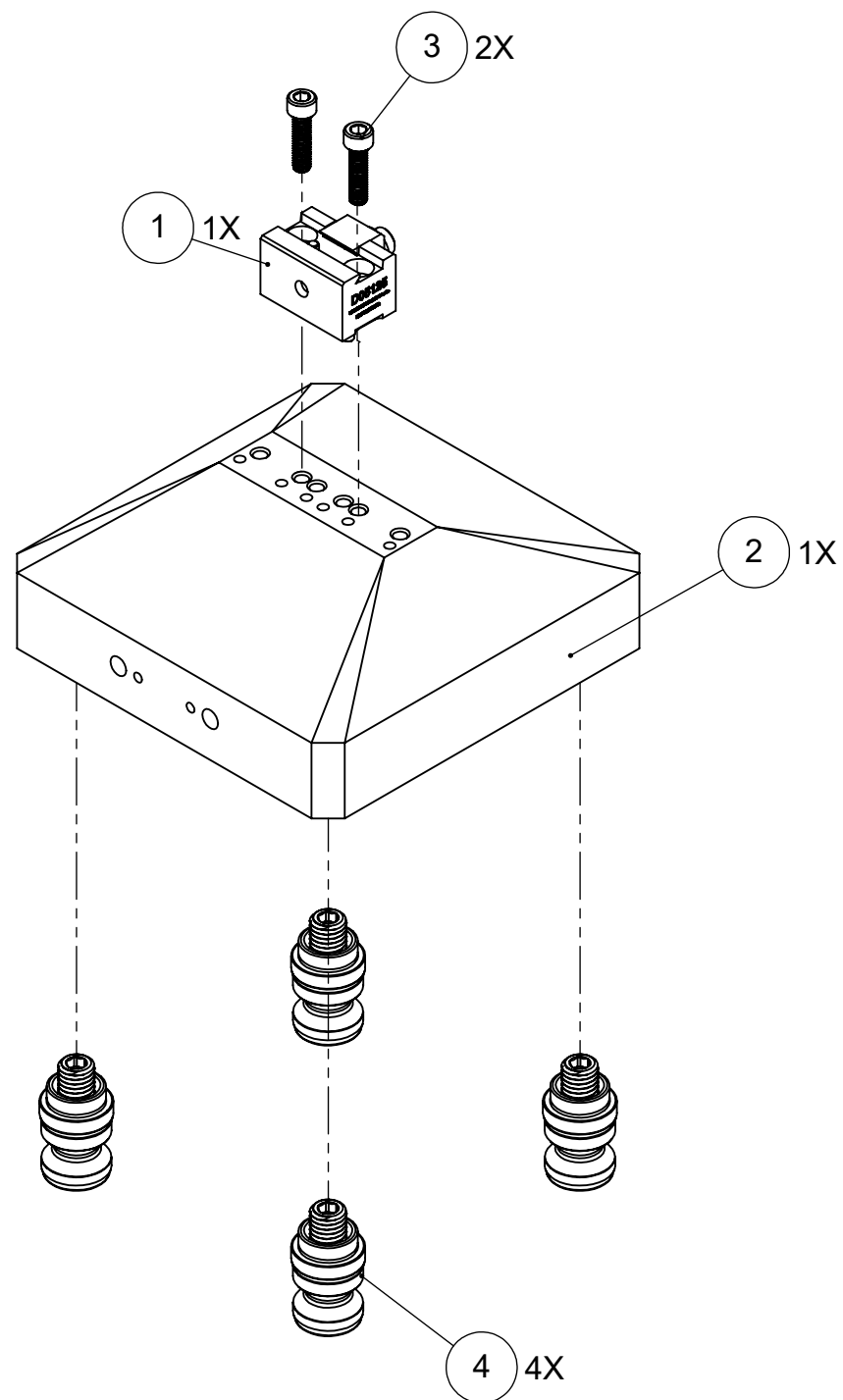
2

1

D

D

A96-D05125



C

C

B

B

A

A

8

7

6

5


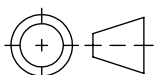
4

3

2

1

ITEM NO.	PART NUMBER	DESCRIPTION	QTY.
1	D05125	DOVETAIL FIXTURE	1
2	D_A96-D05125-1	96MM ROCKLOCK, RISER, D05125	1
3	-	SOCKET HEAD CAP SCREW, #10-32 x 3/4"	2
4	PS20F	96mm PULL STUD	4
FOR REFERENCE ONLY - NOT FOR RESALE			

INCH			
WWW.5THAXIS.COM		DESCRIPTION	
7140 ENGINEER ROAD SAN DIEGO, CA 92111 P (858) 505-0432		D05125 DOVETAIL TOP TOOLING	
THIRD ANGLE PROJECTION		SIZE	PART NO.
		B	A96-2D05125
DO NOT SCALE DRAWING		SCALE 1:2	WEIGHT:
		SHEET 2 OF 2	

8

7

6

5

4

3

2

1