

8

7

6

5

4

3

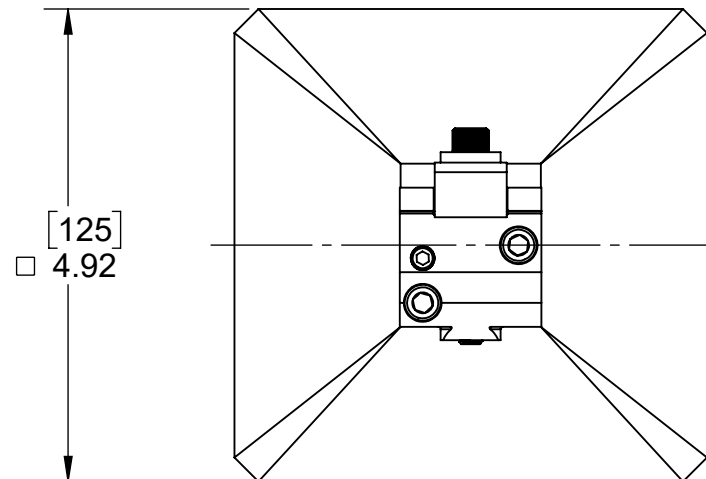
2

1

D

D

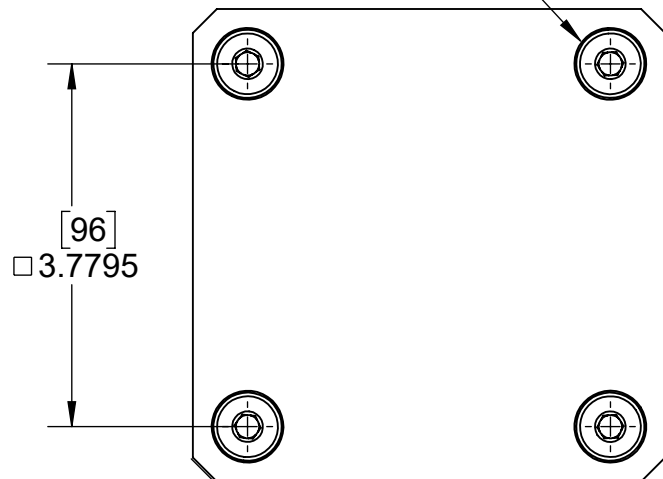
# A96-D115



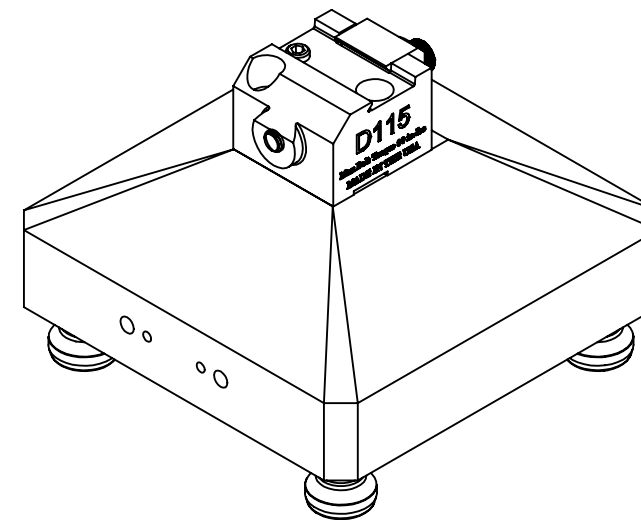
[125]  
□ 4.92

DOVETAIL  $\phi$   
ALIGNED WITH  
BASE  $\phi$

4x PS20F INCLUDED



[96]  
□ 3.7795

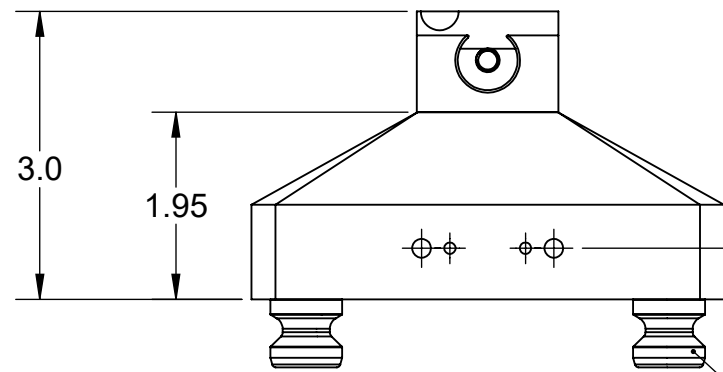


C

C

B

B



3.0

1.95


[13.5]  
.5315

TO CENTER OF  
AUTOMATION  
CLEAT MOUNT

4x PS20F

A

A

<b>INCH</b>				
WWW.5THAXIS.COM 7140 ENGINEER ROAD SAN DIEGO, CA 92111 P (858) 505-0432				
THIRD ANGLE PROJECTION		DESCRIPTION	<b>D115 DOVETAIL TOP TOOLING</b>	
SIZE	PART NO.	REV		
<b>B</b>	<b>A96-D115</b>	<b>B</b>		
DO NOT SCALE DRAWING		SCALE 1:2	WEIGHT:	SHEET 1 OF 2

8

7

6

5

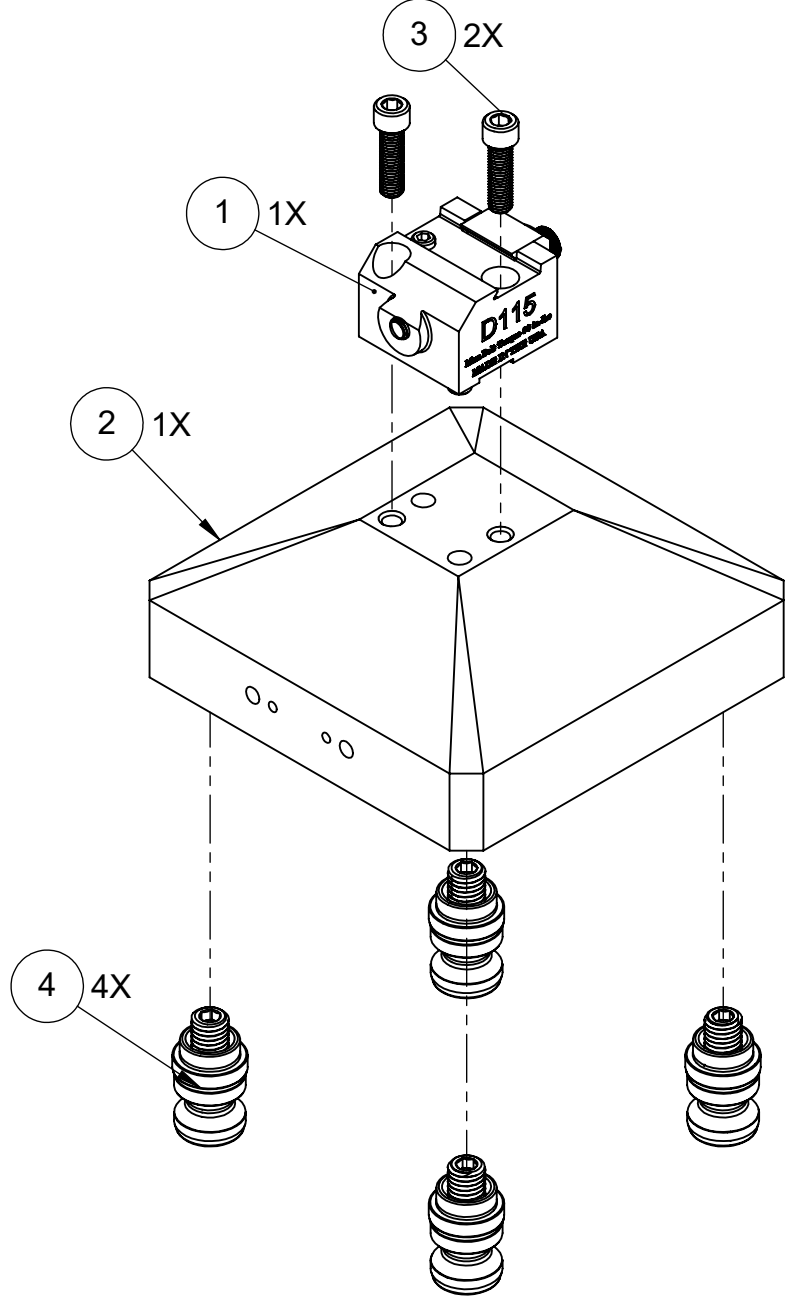
4

3


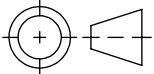
2

1

# A96-D115



ITEM NO.	PART NUMBER	DESCRIPTION	QTY.
1	D115	DOVETAIL FIXTURE	1
2	A96-D115-1	ADAPTER	1
3	-	SOCKET HEAD SCREW, 1/4"-28x7/8"	2
4	PS20F	96mm PULL STUD	4
<b>FOR REFERENCE ONLY - NOT FOR RESALE</b>			

<b>INCH</b>			
WWW.5THAXIS.COM		DESCRIPTION	
7140 ENGINEER ROAD SAN DIEGO, CA 92111 P (858) 505-0432		<b>D115 DOVETAIL TOP TOOLING</b>	
THIRD ANGLE PROJECTION		SIZE	REV
		<b>B</b>	<b>B</b>
		PART NO.	
		<b>A96-D115</b>	
DO NOT SCALE DRAWING		SCALE 1:2	WEIGHT:
		SHEET 2 OF 2	