

8

7

6

5

4

3

2

1

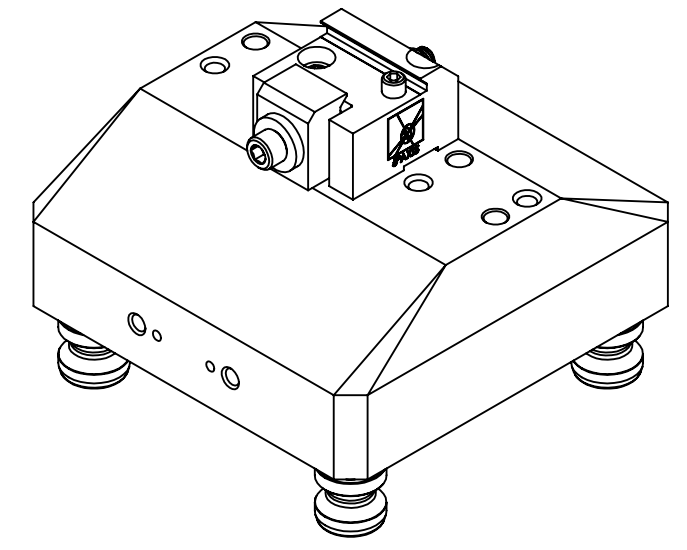
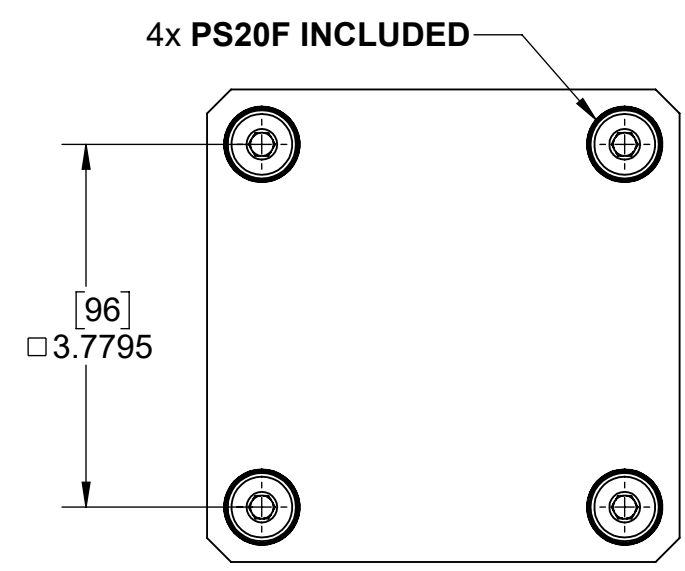
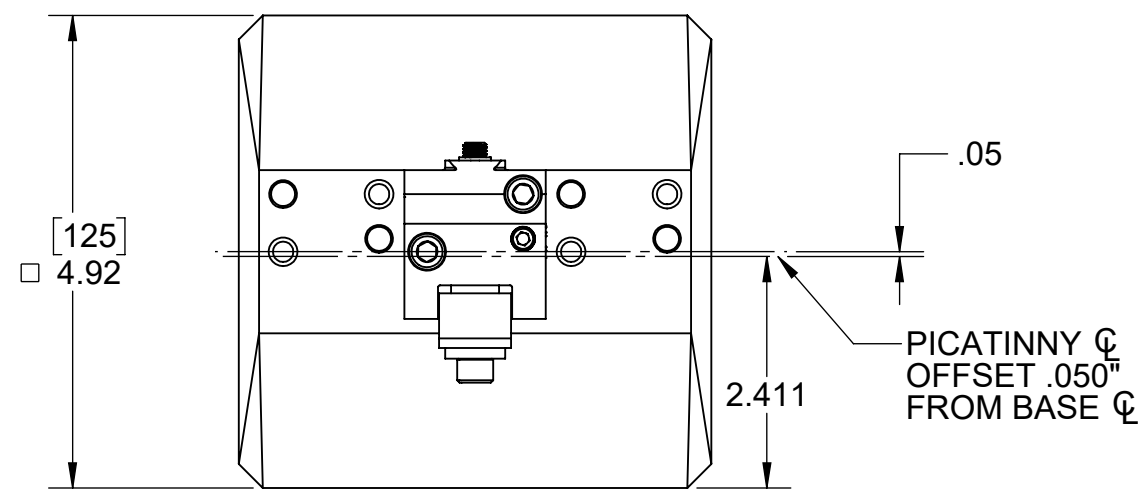
D

D

A96-D115P

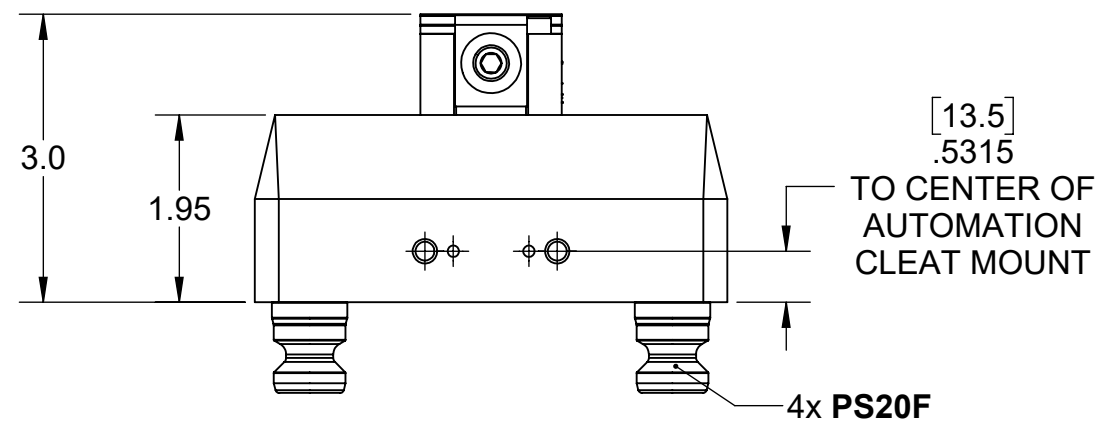
C

C




B

B



A

A

INCH				
WWW.5THAXIS.COM 7140 ENGINEER ROAD SAN DIEGO, CA 92111 P (858) 505-0432				
THIRD ANGLE PROJECTION		DESCRIPTION	D115P PICATINNY TOP TOOLING	
SIZE	PART NO.	REV		
B	A96-D115P	B		
DO NOT SCALE DRAWING		SCALE 1:2	WEIGHT:	SHEET 1 OF 2

8

7

6

5

4

3

2

1

8

7

6

5

4

3

2

1

D

D

C

C

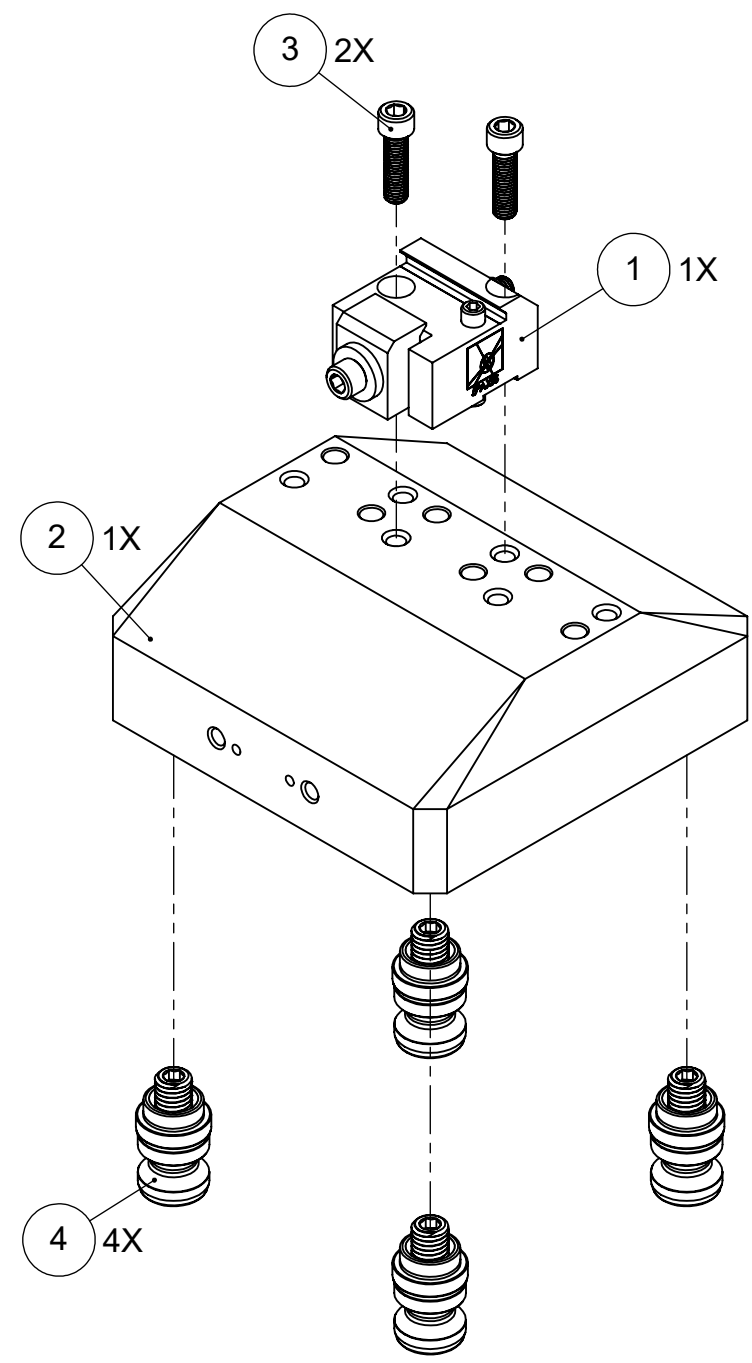
B

B


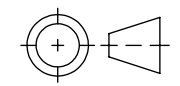
A

A

A96-D115P



ITEM NO.	PART NUMBER	DESCRIPTION	QTY.
1	D1151P	PICATINNY FIXTURE	1
2	A96-3D115-1	96MM ROCKLOCK, RISER, D115	1
3	-	SOCKET HEAD SCREW, 1/4"-28x1-7/8"	2
4	PS20F	96mm PULL STUD	4
FOR REFERENCE ONLY - NOT FOR RESALE			

INCH			
WWW.5THAXIS.COM		DESCRIPTION D115P PICATINNY TOP TOOLING	
7140 ENGINEER ROAD SAN DIEGO, CA 92111 P (858) 505-0432			
THIRD ANGLE PROJECTION		SIZE B	PART NO. A96-D115P
		DO NOT SCALE DRAWING	SCALE 1:2
		WEIGHT:	SHEET 2 OF 2
			REV B

8

7

6

5

4

3

2

1