

8

7

6

5

4

3

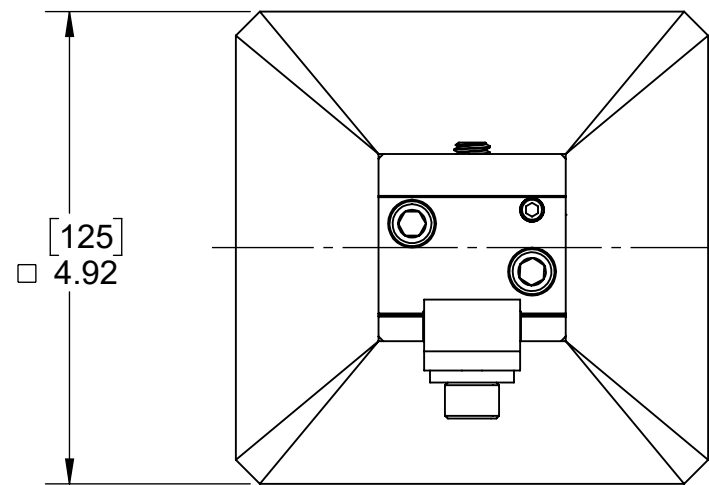
2

1

D

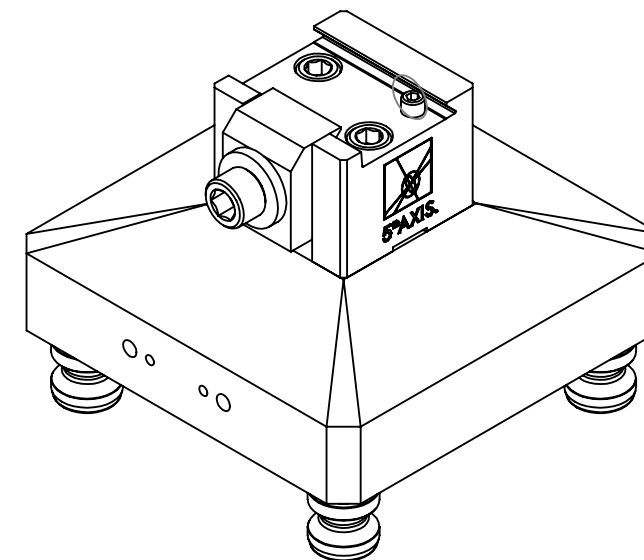
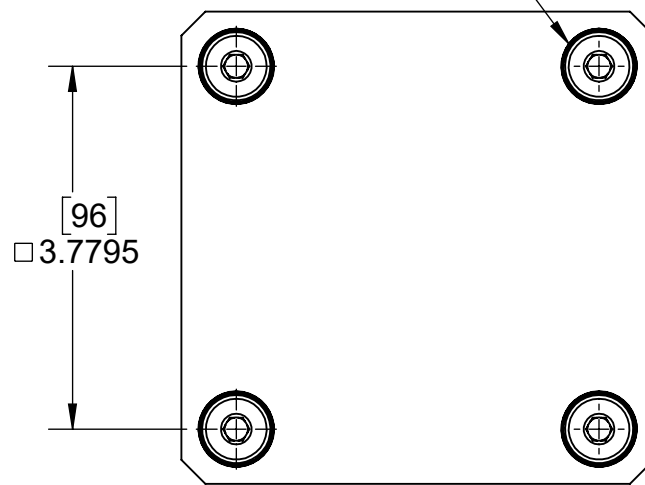
D

A96-D22



DOVETAIL ϕ
ALIGNED WITH
BASE ϕ

4x PS20F INCLUDED

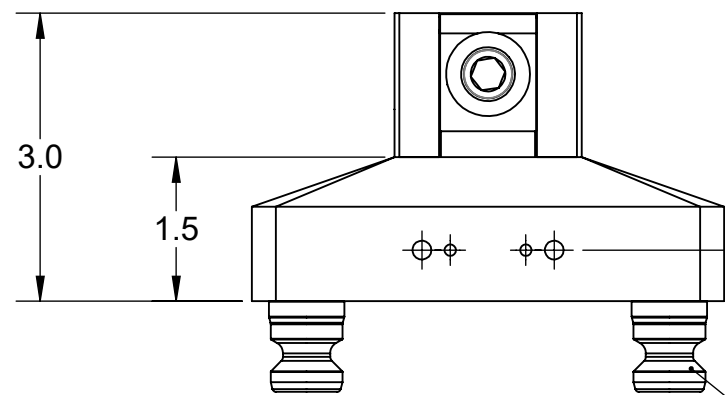


C

C

B

B




$\boxed{13.5}$
.5315
TO CENTER OF
AUTOMATION
CLEAT MOUNT

4x PS20F

A

A

INCH				
WWW.5THAXIS.COM 7140 ENGINEER ROAD SAN DIEGO, CA 92111 P (858) 505-0432				
THIRD ANGLE PROJECTION		DESCRIPTION	D22 DOVETAIL TOP TOOLING	
SIZE	PART NO.	REV		
B	A96-D22	B		
DO NOT SCALE DRAWING		SCALE 1:1	WEIGHT:	SHEET 1 OF 2

8

7

6

5

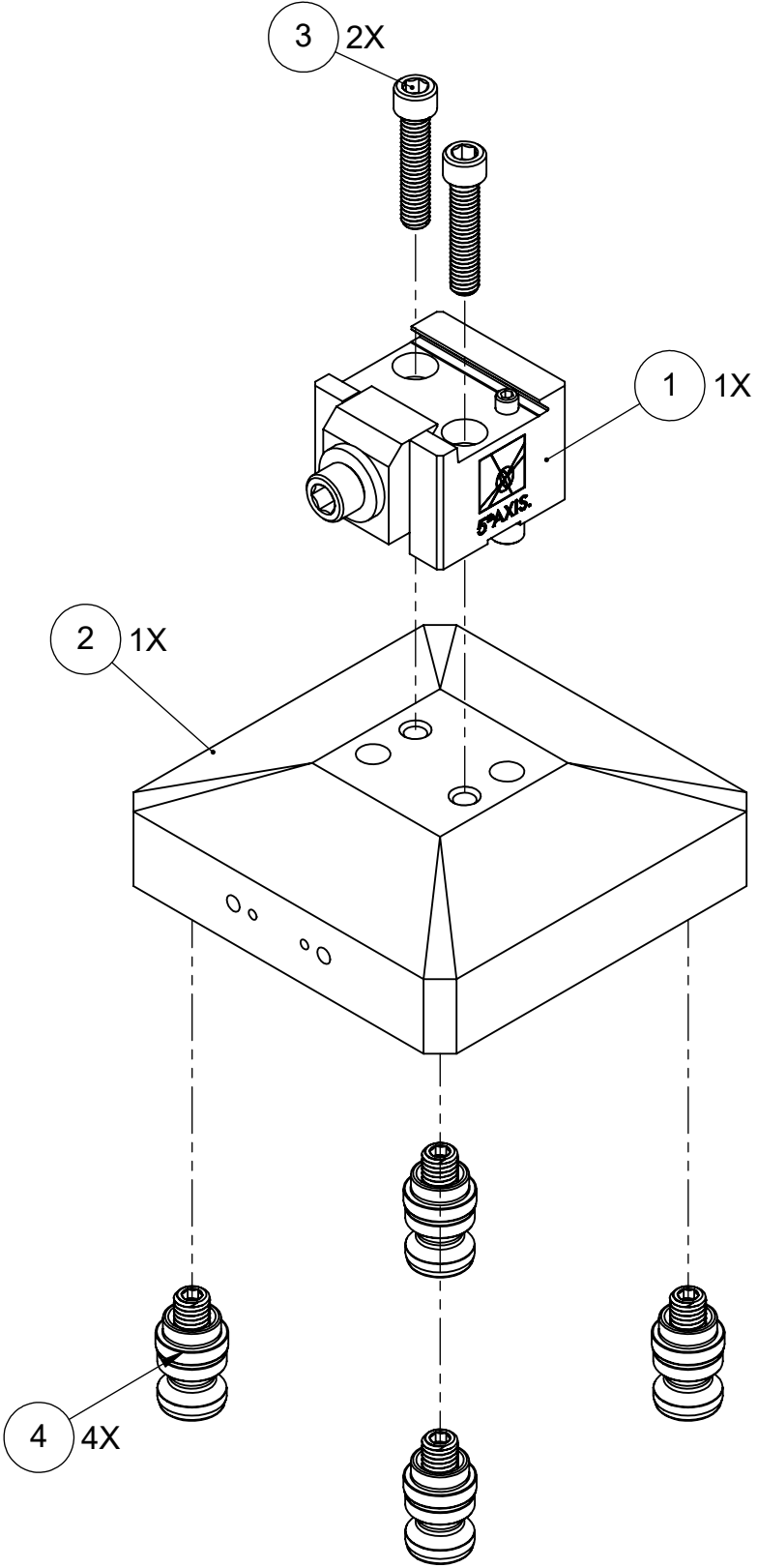
4

3


2

1

A96-D22



ITEM NO.	PART NUMBER	DESCRIPTION	QTY.
1	D22	BODY	1
2	A96-D22-1	ADAPTER	1
3	-	SOCKET HEAD SCREW, 5/16"-18x1-1/2"	2
4	PS20F	96mm PULL STUD	4
FOR REFERENCE ONLY - NOT FOR RESALE			

INCH				
WWW.5THAXIS.COM		DESCRIPTION D22 DOVETAIL TOP TOOLING		
7140 ENGINEER ROAD SAN DIEGO, CA 92111 P (858) 505-0432				
THIRD ANGLE PROJECTION		SIZE B	PART NO. A96-D22	REV B
DO NOT SCALE DRAWING		SCALE 1:1	WEIGHT:	SHEET 2 OF 2