

8

7

6

5

4

3

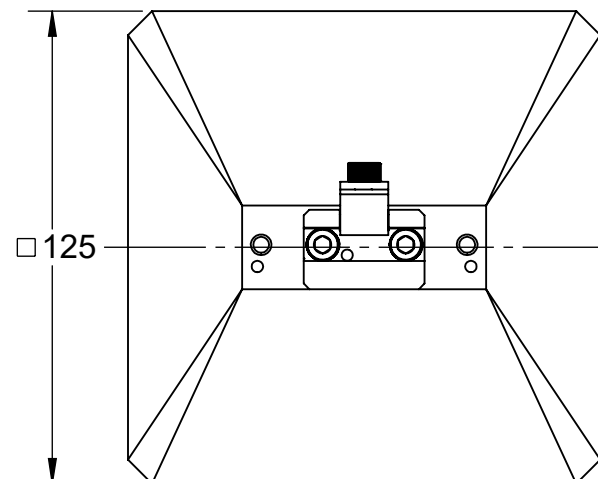
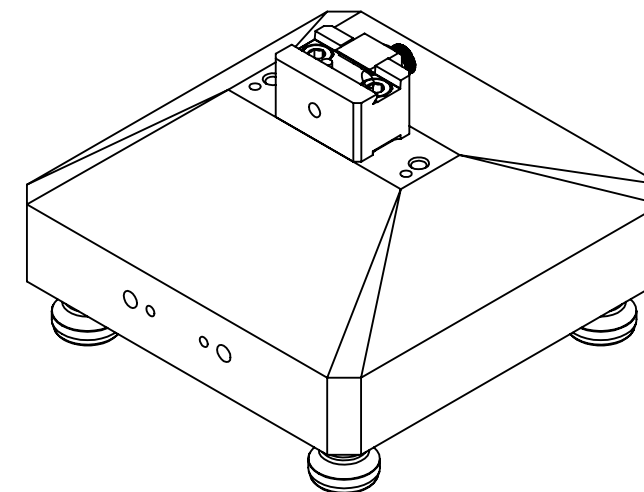
2

1

D

D

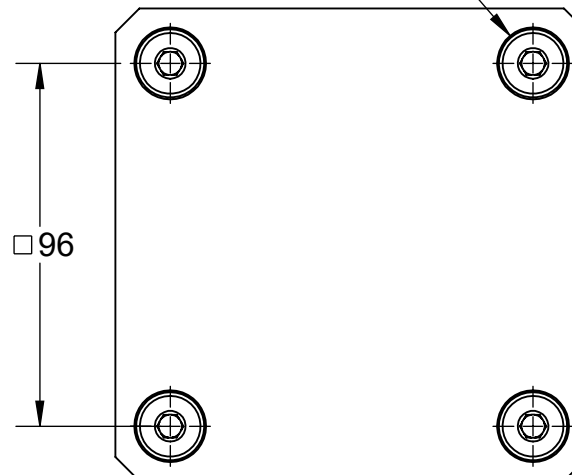
# A96-DM12



125

DOVETAIL  $\phi$   
ALIGNED WITH  
BASE  $\phi$

4x PS20F INCLUDED



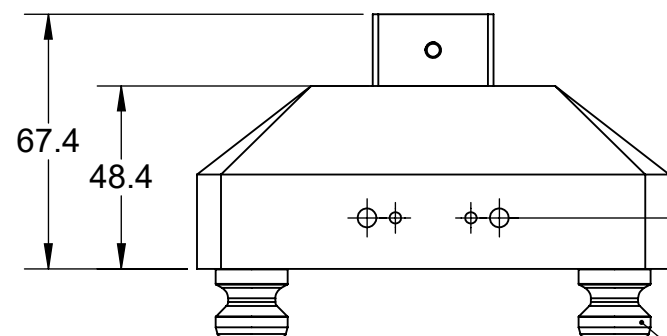
96

C

C

B

B



67.4


48.4

13.50  
TO CENTER OF  
AUTOMATION  
CLEAT MOUNT

4x PS20F

A

A

<b>MILLIMETER</b>				
WWW.5THAXIS.COM 7140 ENGINEER ROAD SAN DIEGO, CA 92111 P (858) 505-0432				
THIRD ANGLE PROJECTION		DESCRIPTION	<b>DM12 DOVETAIL TOP TOOLING</b>	
SIZE	PART NO.	A96-DM12		REV
<b>B</b>				<b>B</b>
DO NOT SCALE DRAWING		SCALE 1:2	WEIGHT:	SHEET 1 OF 2

8

7

6

5

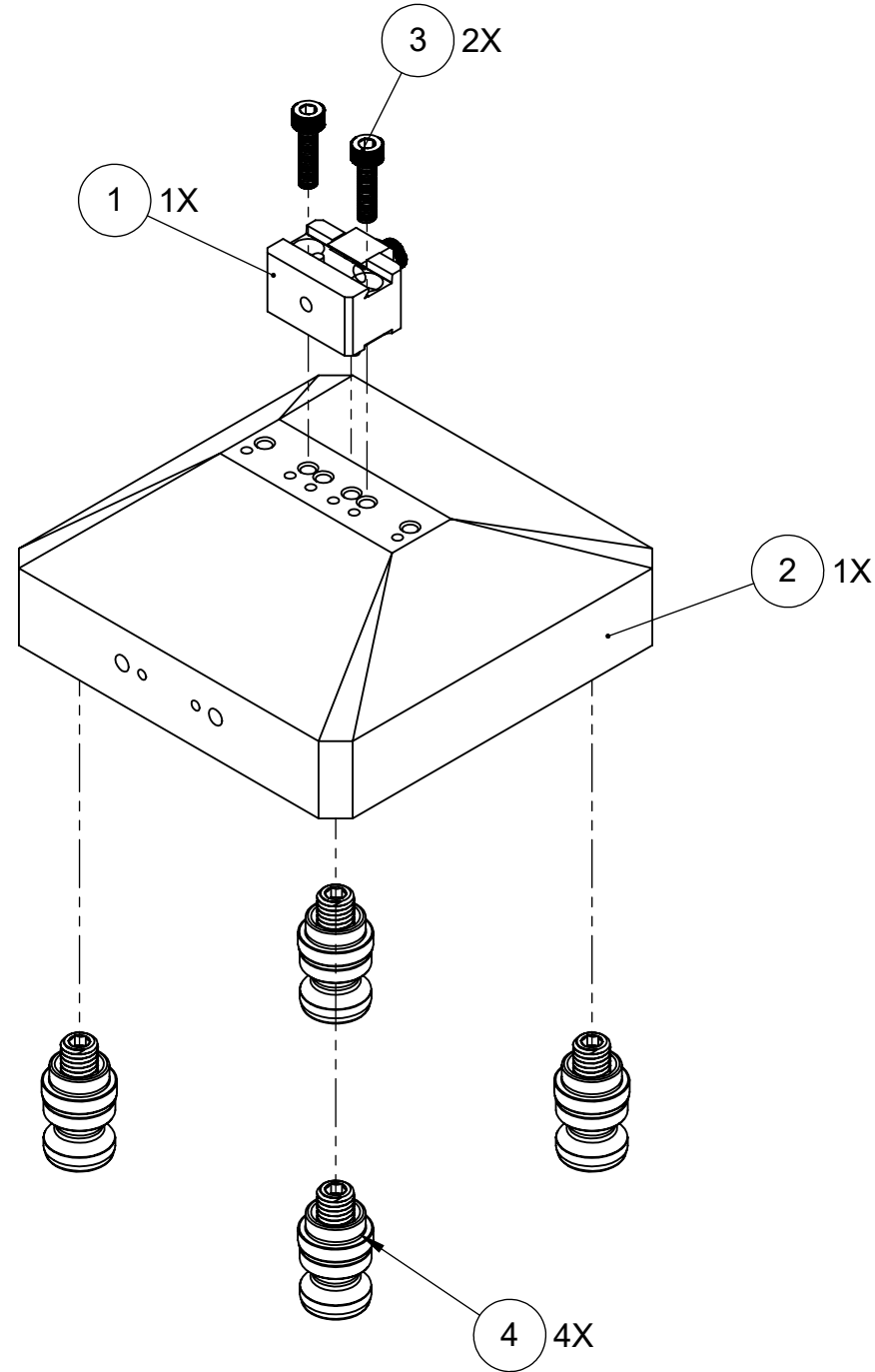
4

3


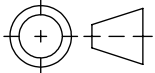
2

1

# A96-DM12



ITEM NO.	PART NUMBER	DESCRIPTION	QTY.
1	DM12	DOVETAIL FIXTURE	1
2	A96-DM12-1	ADAPTER	1
3	-	SOCKET HEAD SCREW, M5x0.8x20mm	2
4	PS20F	96mm PULL STUD	4
<b>FOR REFERENCE ONLY - NOT FOR RESALE</b>			

<b>MILLIMETER</b>			
WWW.5THAXIS.COM		<b>DM12 DOVETAIL TOP TOOLING</b>	
7140 ENGINEER ROAD SAN DIEGO, CA 92111 P (858) 505-0432			
THIRD ANGLE PROJECTION 		SIZE <b>B</b>	PART NO. <b>A96-DM12</b>
DO NOT SCALE DRAWING		SCALE 1:2	WEIGHT:
SHEET 2 OF 2		REV <b>B</b>	