

8

7

6

5

4

3

2

1

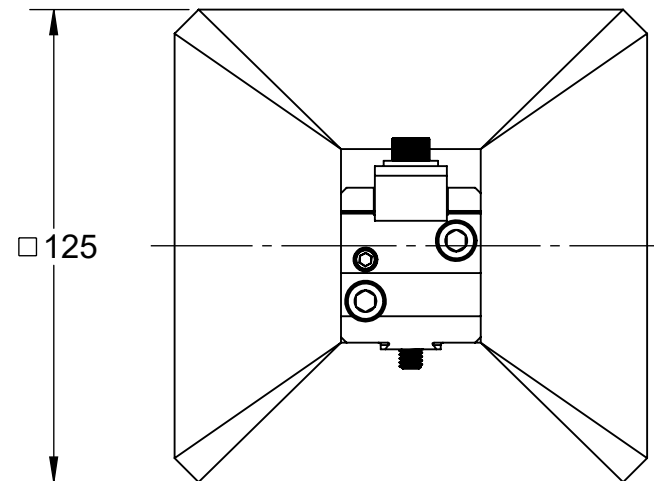
D

D

# A96-DM25

C

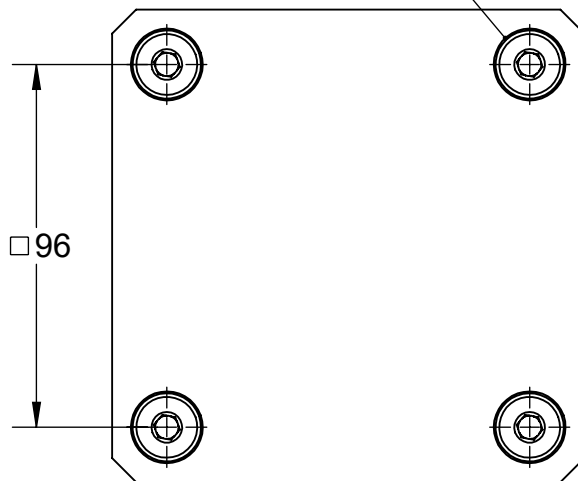
C



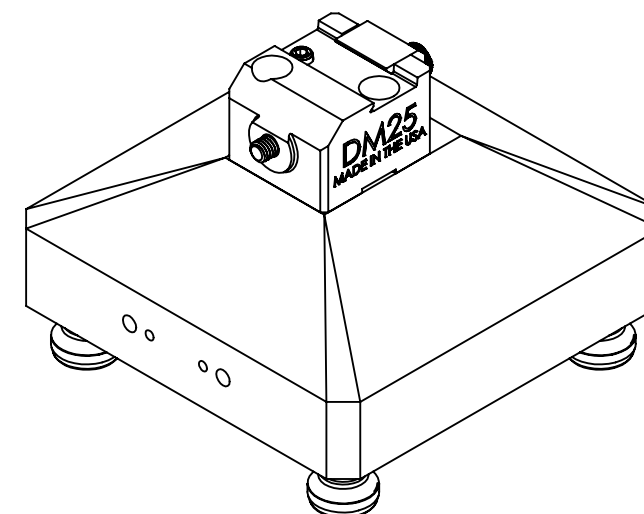
125

DOVETAIL  $\phi$   
ALIGNED WITH  
BASE  $\phi$

4x PS20F INCLUDED

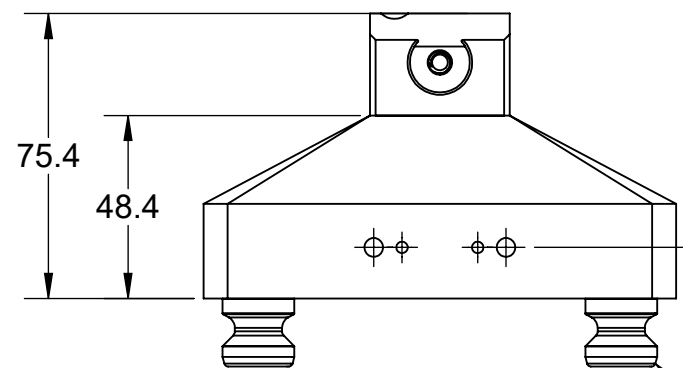


96



B

B



75.4


48.4

13.50  
TO CENTER OF  
AUTOMATION  
CLEAT MOUNT

4x PS20F

A

A

<b>MILLIMETER</b>				
WWW.5THAXIS.COM 7140 ENGINEER ROAD SAN DIEGO, CA 92111 P (858) 505-0432				
THIRD ANGLE PROJECTION		DESCRIPTION	<b>DM25 DOVETAIL TOP TOOLING</b>	
SIZE	PART NO.	REV		
<b>B</b>	<b>A96-DM25</b>	<b>B</b>		
DO NOT SCALE DRAWING		SCALE 1:2	WEIGHT:	SHEET 1 OF 2

8

7

6

5

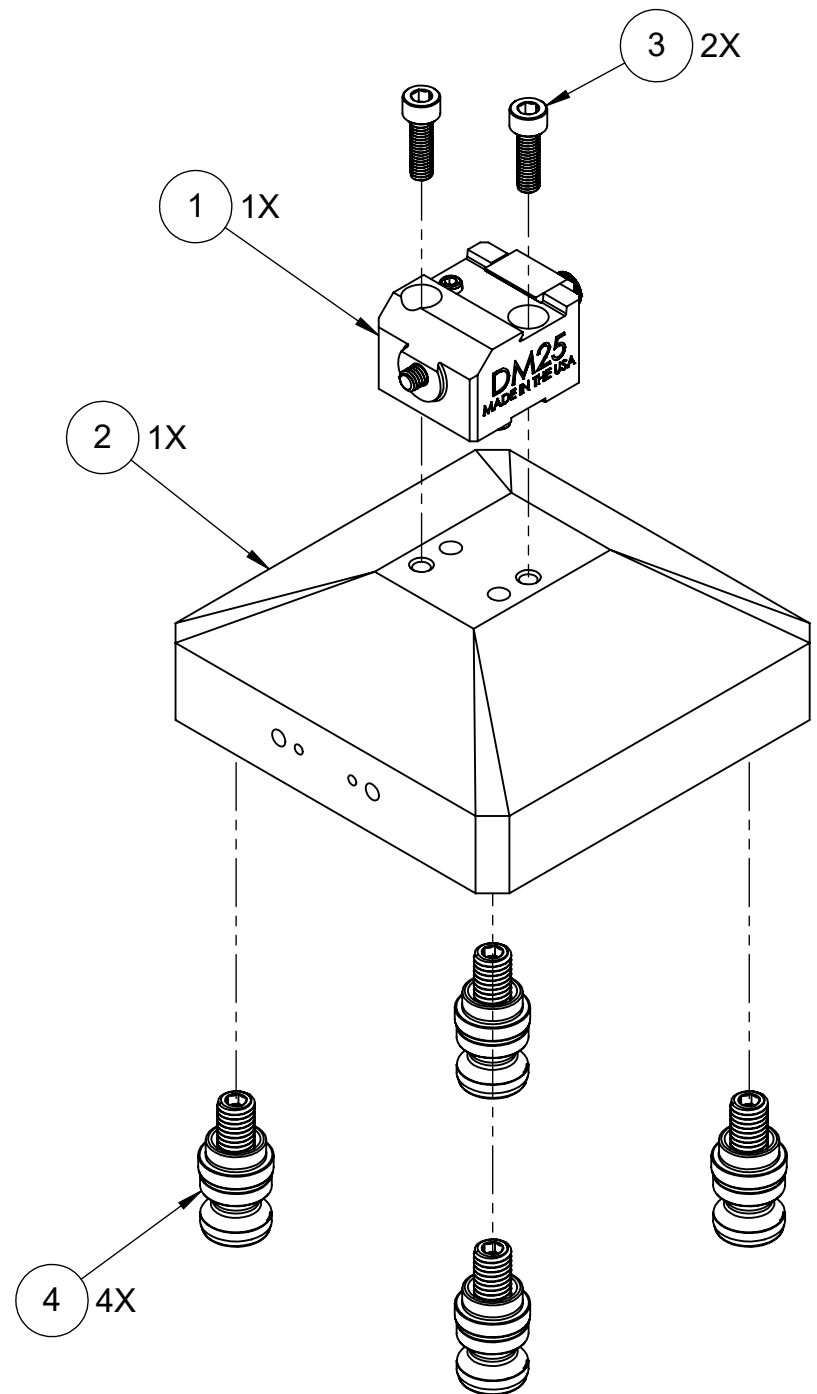
4

3


2

1

# A96-DM25



ITEM NO.	PART NUMBER	DESCRIPTION	QTY.
1	DM25	DOVETAIL FIXTURE	1
2	A96-DM25-1	ADAPTER	1
3	-	SOCKET HEAD CAP SCREW, M6x1x20mm	2
4	PS20F	96mm PULL STUD	4
<b>FOR REFERENCE ONLY - NOT FOR RESALE</b>			

<b>MILLIMETER</b>			
WWW.5THAXIS.COM 7140 ENGINEER ROAD SAN DIEGO, CA 92111 P (858) 505-0432			
THIRD ANGLE PROJECTION		<b>DM25 DOVETAIL TOP TOOLING</b>	
SIZE	PART NO.	REV	
<b>B</b>	<b>A96-DM25</b>	<b>B</b>	
DO NOT SCALE DRAWING		SCALE 1:2	WEIGHT:
		SHEET 2 OF 2	