

8

7

6

5

4

3

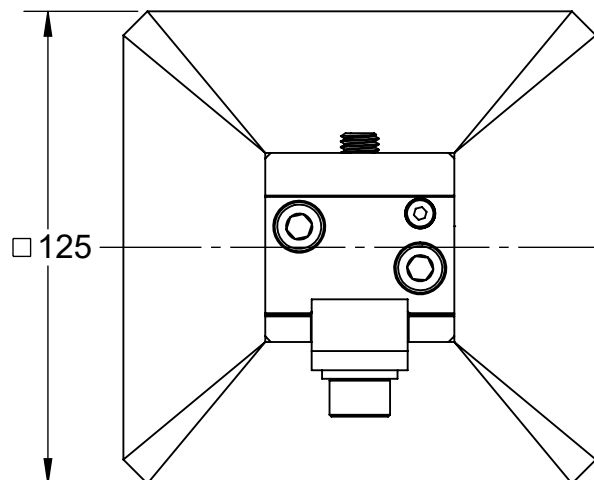
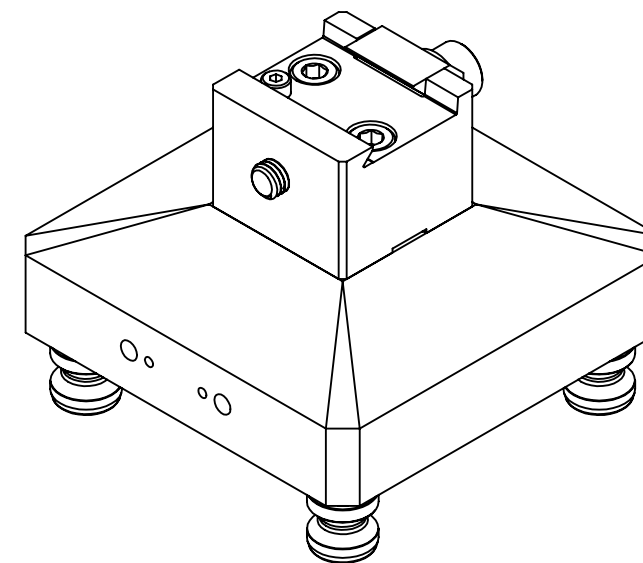
2

1

D

D

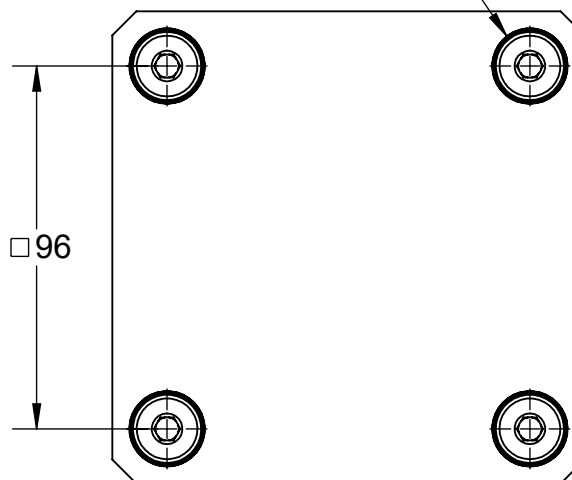
A96-DM50



125

DOVETAIL ϕ
ALIGNED WITH
BASE ϕ

4x PS20F INCLUDED



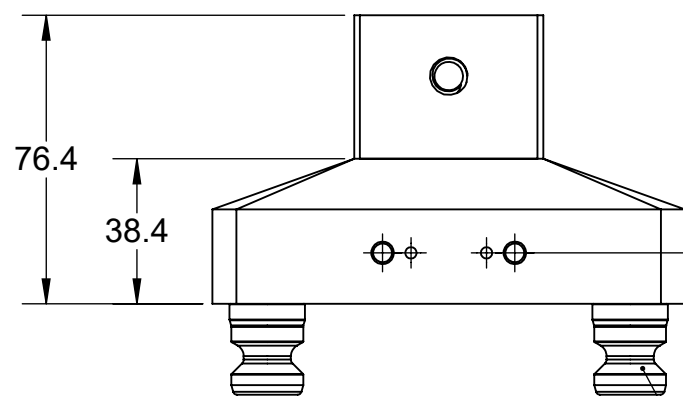
96

C

C

B

B



76.4


38.4

13.50
TO CENTER OF
AUTOMATION
CLEAT MOUNT

4x PS20F

A

A

MILLIMETER				
WWW.5THAXIS.COM 7140 ENGINEER ROAD SAN DIEGO, CA 92111 P (858) 505-0432				
THIRD ANGLE PROJECTION		DESCRIPTION	DM50 DOVETAIL TOP TOOLING	
SIZE	PART NO.	REV		
B	A96-DM50	B		
DO NOT SCALE DRAWING		SCALE 1:2	WEIGHT:	SHEET 1 OF 2

8

7

6

5

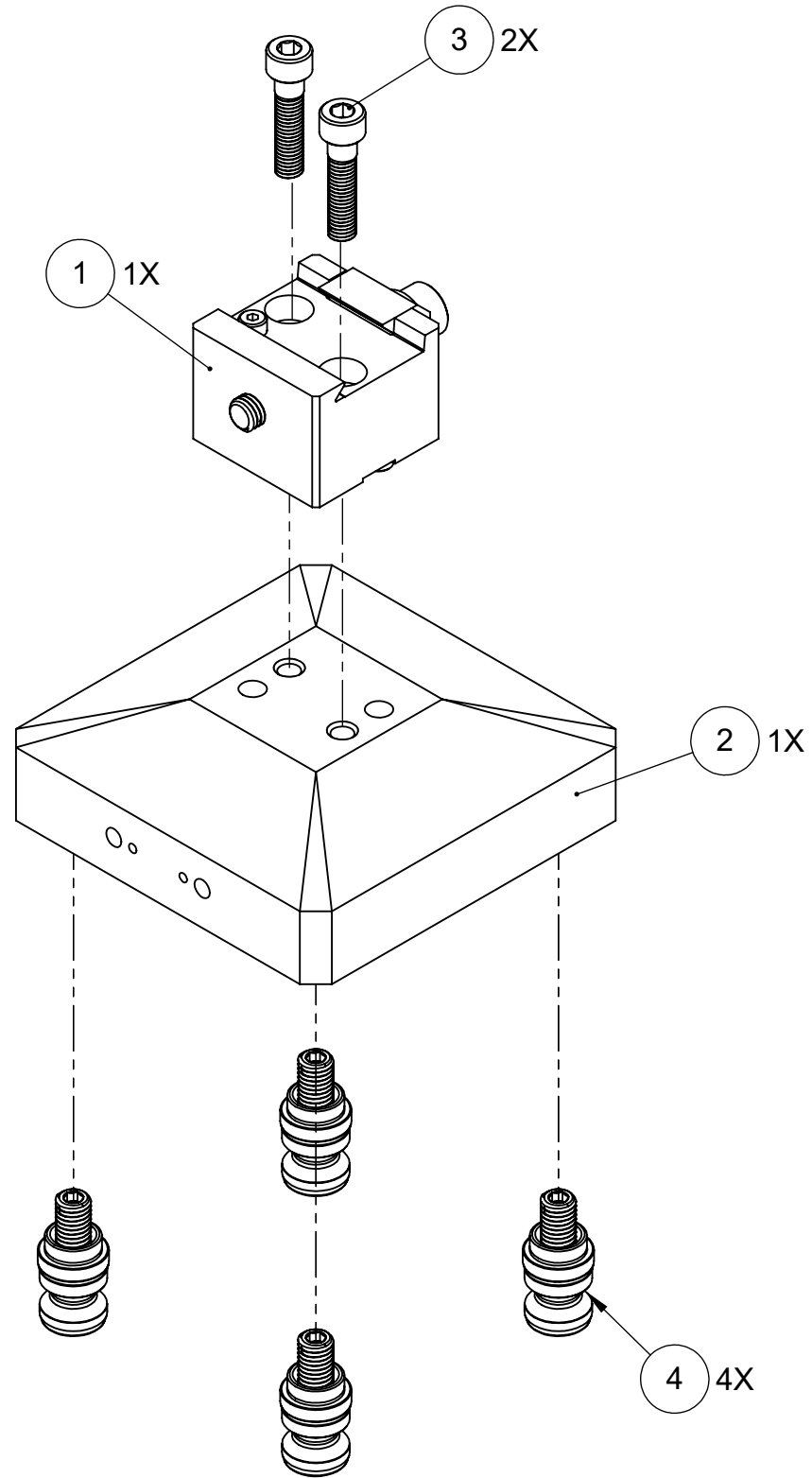
4

3


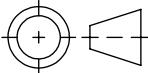
2

1

A96-DM50



ITEM NO.	PART NUMBER	DESCRIPTION	QTY.
1	DM50	DOVETAIL FIXTURE	1
2	A96-DM50-1	ADAPTER	1
3	-	SOCKET HEAD CAP SCREW, M8-1.25x35	2
4	PS20F	96mm PULL STUD	4
FOR REFERENCE ONLY - NOT FOR RESALE			

MILLIMETER				
WWW.5THAXIS.COM		DM50 DOVETAIL TOP TOOLING		
7140 ENGINEER ROAD SAN DIEGO, CA 92111 P (858) 505-0432				
THIRD ANGLE PROJECTION		SIZE B	PART NO. A96-DM50	REV B
		DO NOT SCALE DRAWING	SCALE 1:2	WEIGHT:
		SHEET 2 OF 2		