

8

7

6

5

4

3

2

1

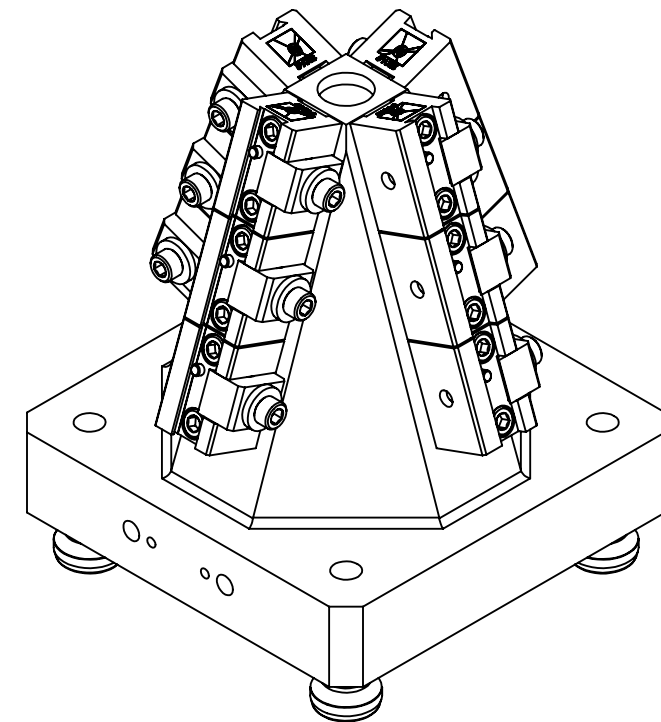
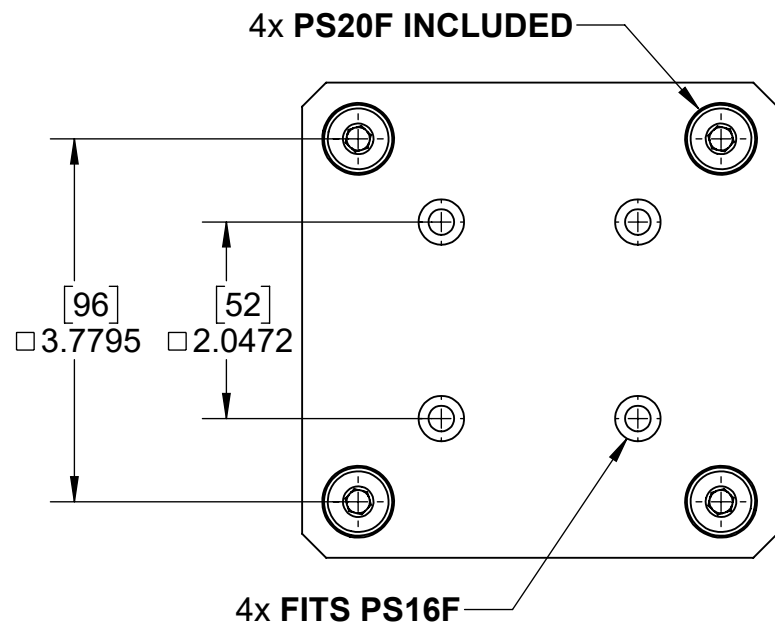
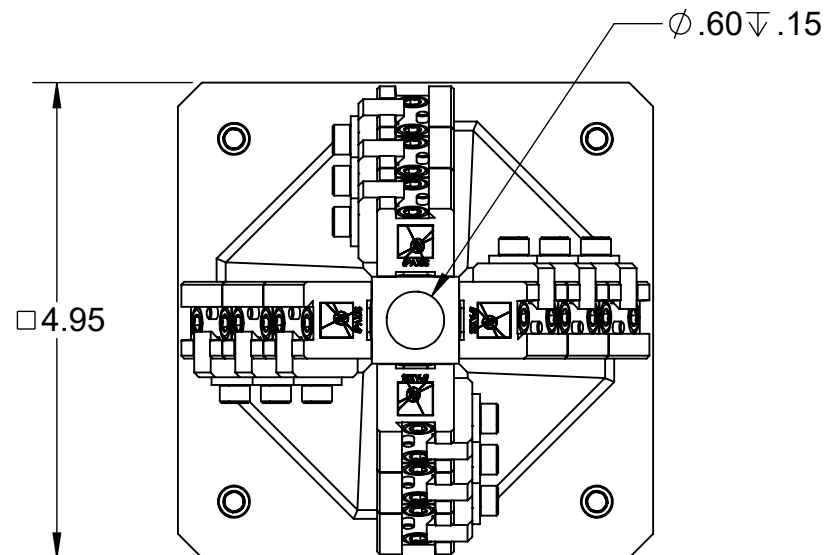
D

D

A96-P12D05125

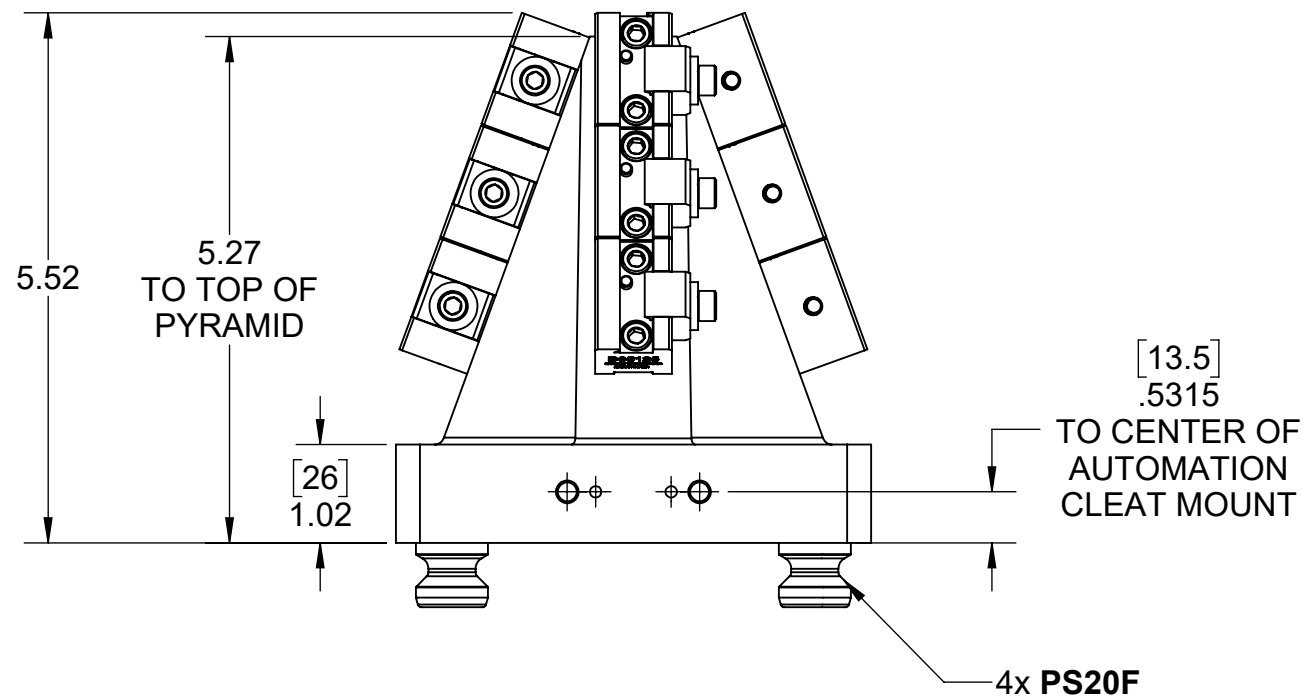
C

C




B

B



A

A

INCH				
WWW.5THAXIS.COM 7140 ENGINEER ROAD SAN DIEGO, CA 92111 P (858) 505-0432				
THIRD ANGLE PROJECTION		DESCRIPTION	D05125 PYRAMID DOVETAIL TOP TOOLING	
SIZE	PART NO.	A96-P12D05125		REV
B				B
DO NOT SCALE DRAWING		SCALE 1:5	WEIGHT:	SHEET 1 OF 2

8

7

6

5

4

3

2

1

8

7

6

5

4

3

2

1

D

D

C

C

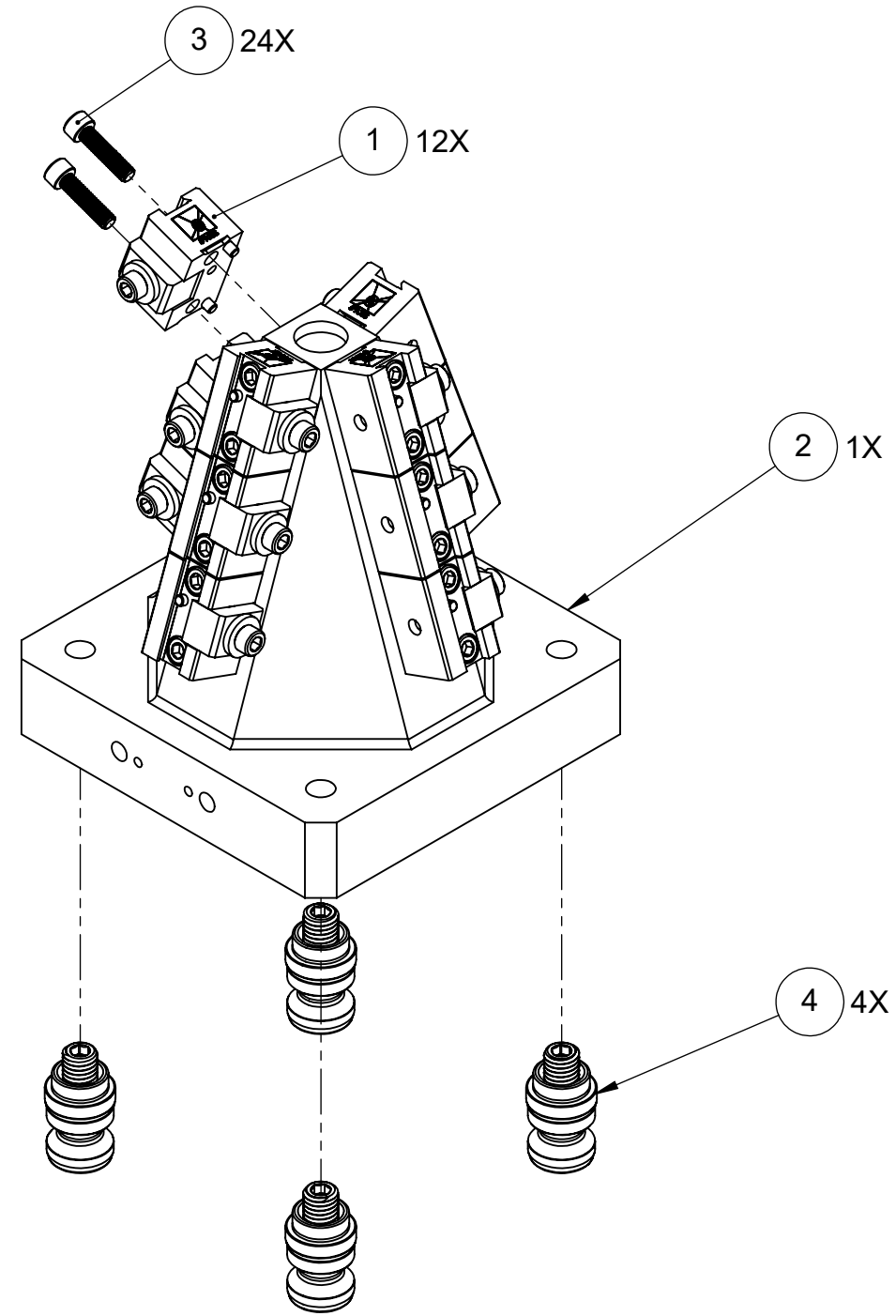
B

B


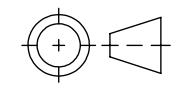
A

A

A96-P12D05125



ITEM NO.	PART NUMBER	DESCRIPTION	QTY.
1	D05125	DOVETAIL FIXTURE	12
2	AU-P12D05125-1	UNIVERSAL P12D05125 BASE	1
3	-	SOCKET HEAD CAP SCREW, #10-32 x 3/4"	24
4	PS20F	96mm PULL STUD	4
FOR REFERENCE ONLY - NOT FOR RESALE			

INCH			
WWW.5THAXIS.COM		DESCRIPTION	
7140 ENGINEER ROAD SAN DIEGO, CA 92111 P (858) 505-0432		D05125 PYRAMID DOVETAIL TOP TOOLING	
THIRD ANGLE PROJECTION		SIZE B	PART NO. A96-P12D05125
		REV B	
DO NOT SCALE DRAWING		SCALE 1:5	WEIGHT:
SHEET 2 OF 2			

8

7

6

5

4

3

2

1