

8

7

6

5

4

3

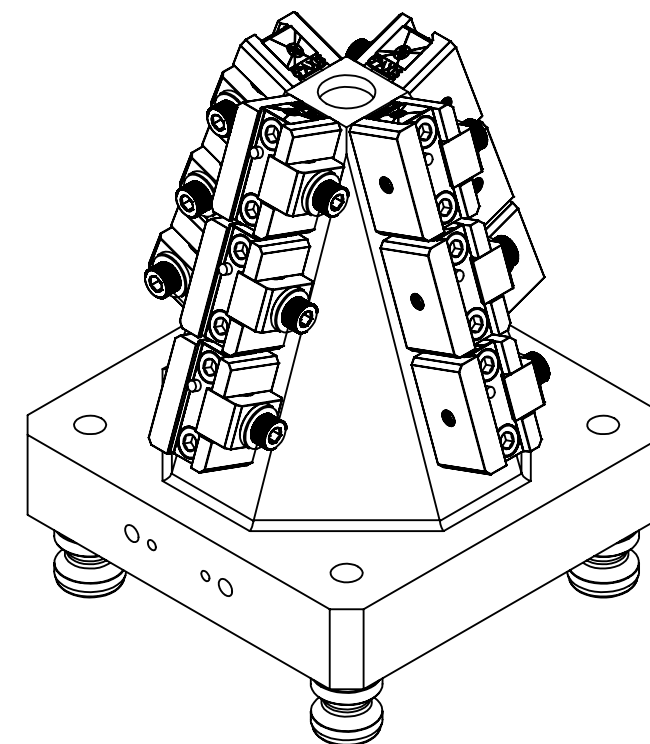
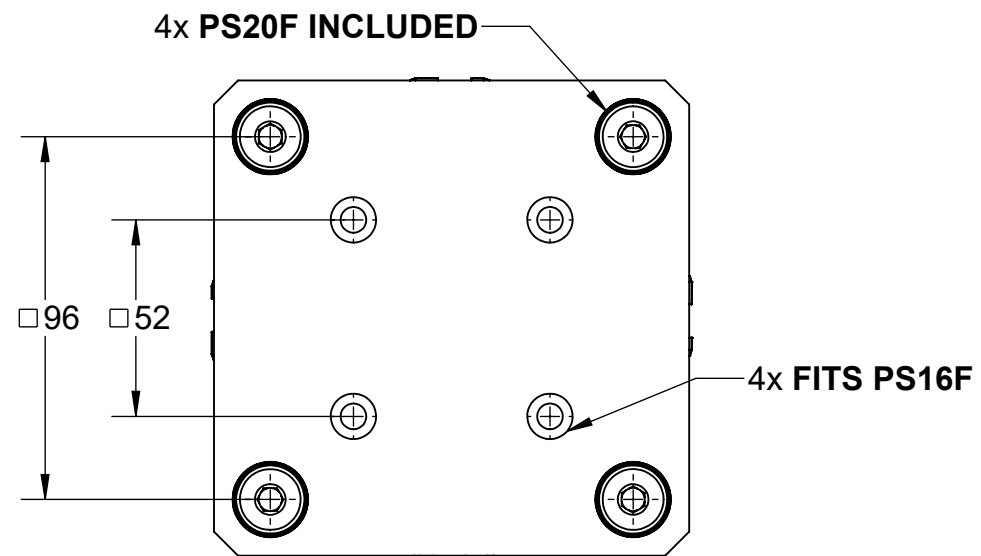
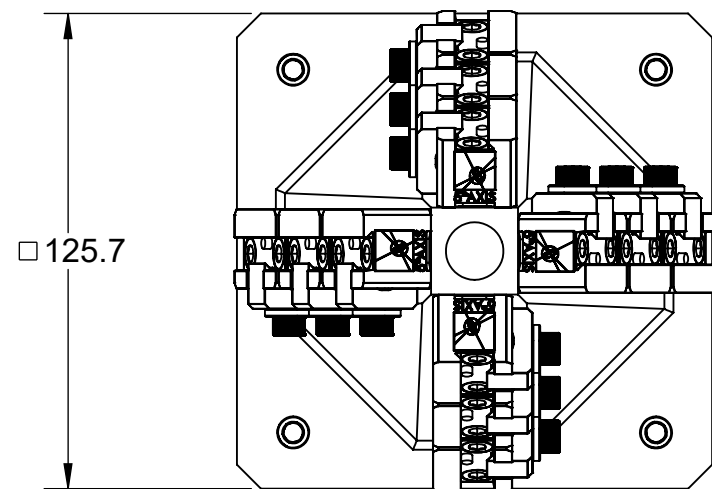
2

1

D

D

# A96-P12DM12

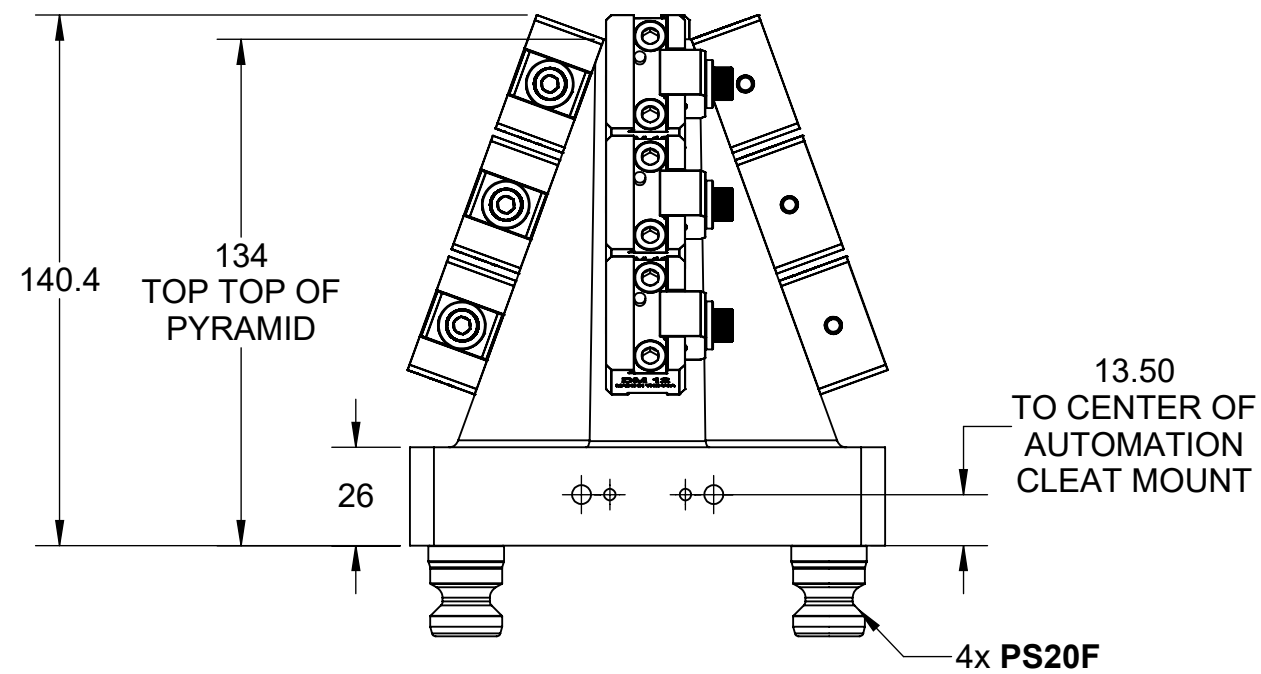


C

C


B

B



A

A

<b>MILLIMETER</b>				
WWW.5THAXIS.COM 7140 ENGINEER ROAD SAN DIEGO, CA 92111 P (858) 505-0432				
THIRD ANGLE PROJECTION		DESCRIPTION	<b>DM12 PYRAMID DOVETAIL TOP TOOLING</b>	
SIZE	PART NO.	<b>A96-P12DM12</b>		REV
<b>B</b>				<b>B</b>
DO NOT SCALE DRAWING		SCALE 1:2	WEIGHT:	SHEET 1 OF 2

8

7

6

5

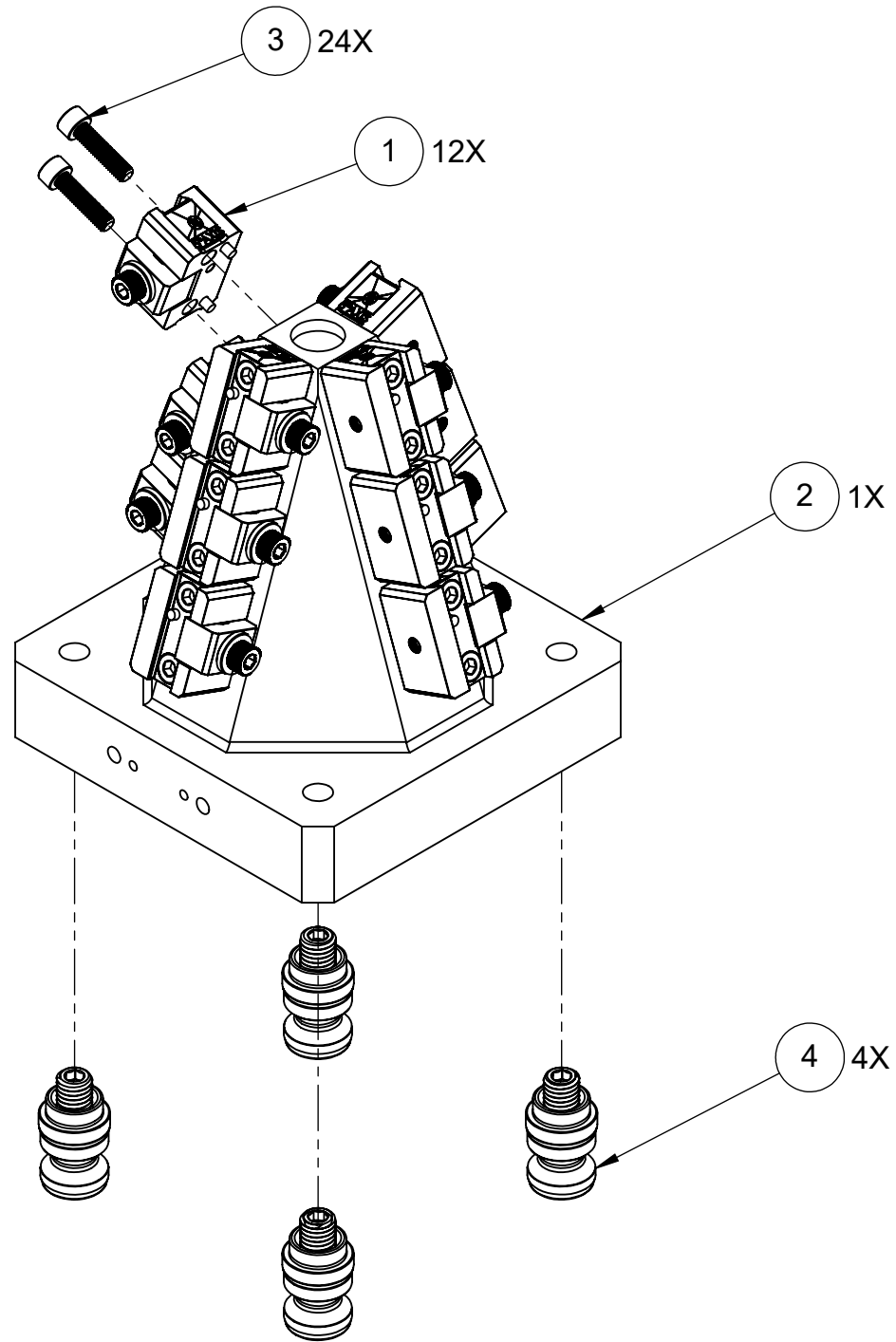
4

3


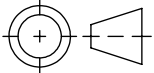
2

1

# A96-P12DM12



ITEM NO.	PART NUMBER	DESCRIPTION	QTY.
1	DM12	DOVETAIL FIXTURE	12
2	AU-P12DM12-1	UNIVERSAL P12DM12 BASE	1
3	-	SOCKET HEAD SCREW, M5x0.8x20mm	24
4	PS20F	96mm PULL STUD	4
FOR REFERENCE ONLY - NOT FOR RESALE			

<b>MILLIMETER</b>			
WWW.5THAXIS.COM		<b>DM12 PYRAMID DOVETAIL TOP TOOLING</b>	
7140 ENGINEER ROAD SAN DIEGO, CA 92111 P (858) 505-0432			
THIRD ANGLE PROJECTION		SIZE <b>B</b>	PART NO. <b>A96-P12DM12</b>
		DO NOT SCALE DRAWING	
		SCALE 1:2	WEIGHT:
		SHEET 2 OF 2	

D

C

B

A

D

C

B

A

8

7

6

5

4

3

2

1

8

7

6

5

4

3

2

1