

8

7

6

5

4

3

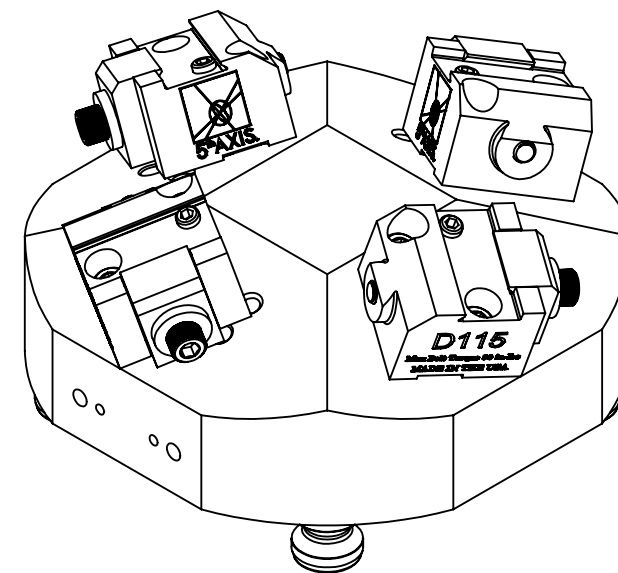
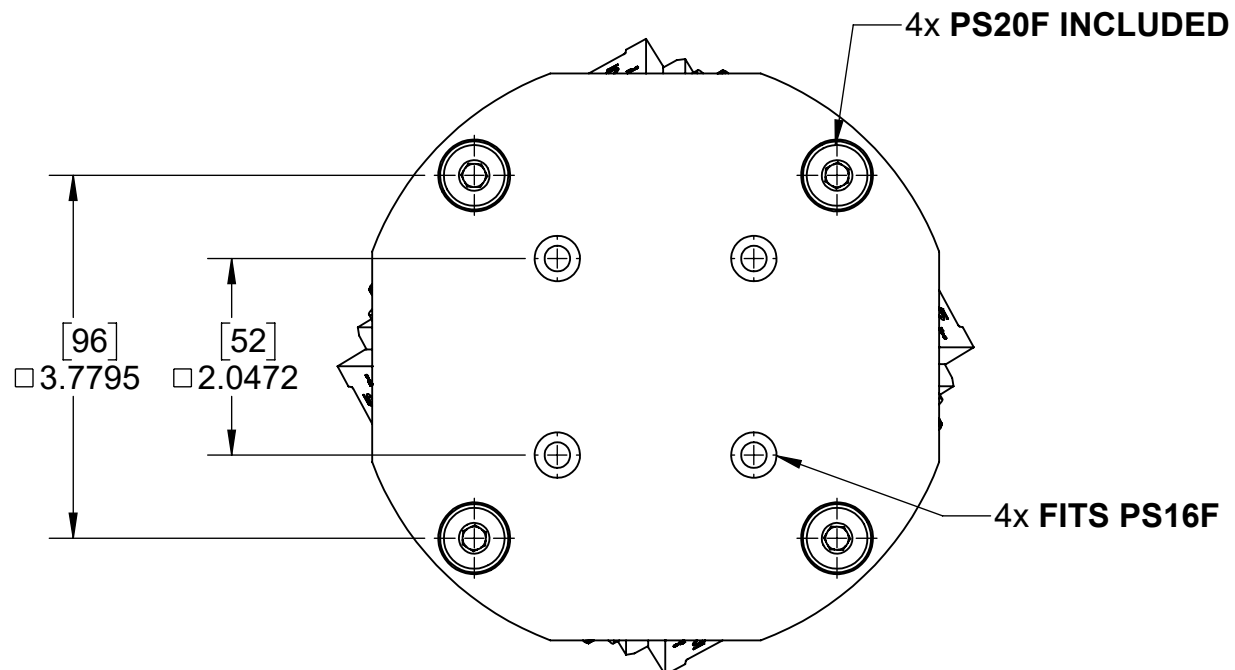
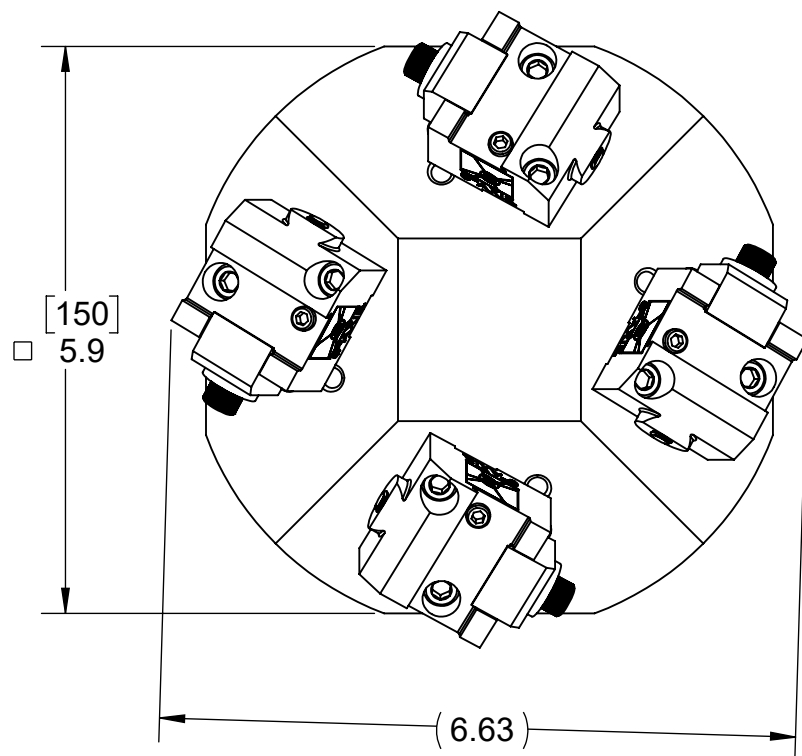
2

1

D

D

A96-P4D115

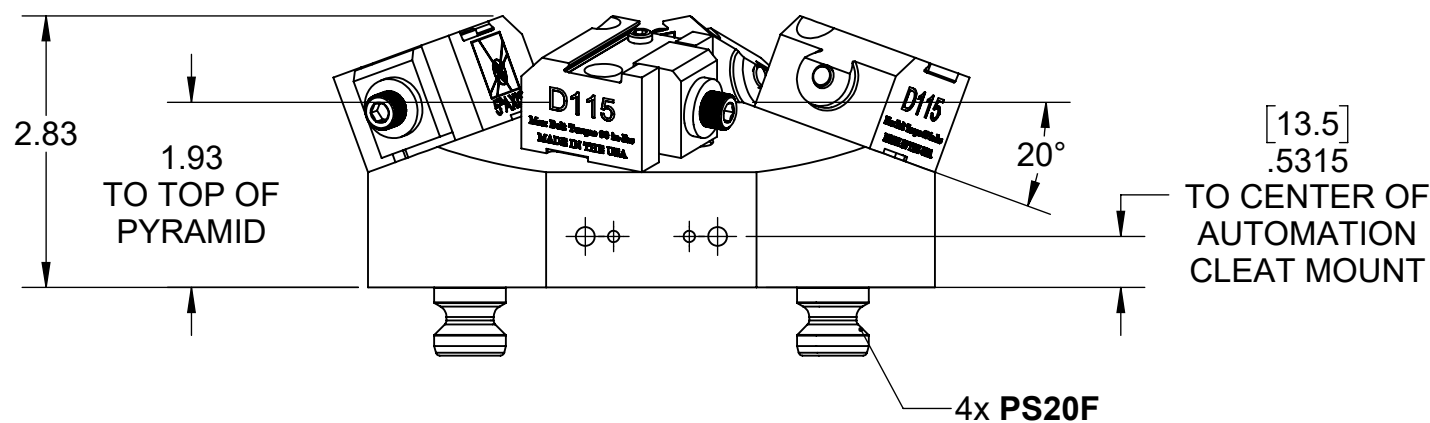


C

C


B

B



A

A

INCH				
WWW.5THAXIS.COM 7140 ENGINEER ROAD SAN DIEGO, CA 92111 P (858) 505-0432				
THIRD ANGLE PROJECTION		DESCRIPTION	D115 FOUR POSITION DOVETAIL TOP TOOLING	
SIZE	PART NO.	A96-P4D115		REV
B				B
DO NOT SCALE DRAWING		SCALE 1:2	WEIGHT:	SHEET 1 OF 2

8

7

6

5

4

3

2

1

8

7

6

5

4

3

2

1

D

D

C

C

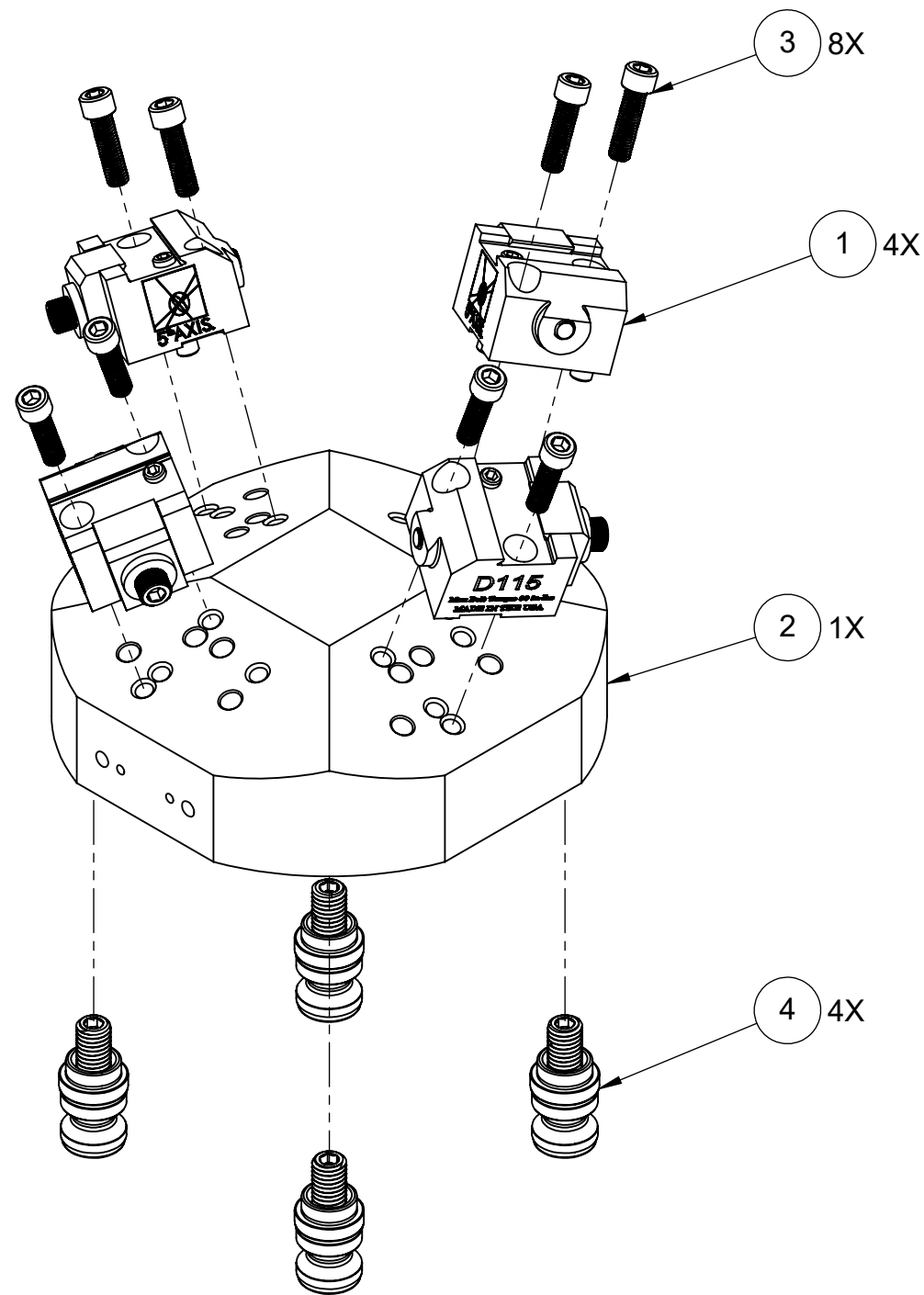
B

B


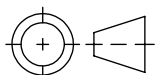
A

A

A96-P4D115



ITEM NO.	PART NUMBER	DESCRIPTION	QTY.
1	D115	DOVETAIL FIXTURE	4
2	AU-P4D115-1	UNIVERSAL P4D115 BASE	1
3	-	SOCKET HEAD SCREW, 1/4"-28x1-7/8"	8
4	PS20F	96mm PULL STUD	4
FOR REFERENCE ONLY - NOT FOR RESALE			

INCH			
WWW.5THAXIS.COM		DESCRIPTION	
7140 ENGINEER ROAD SAN DIEGO, CA 92111 P (858) 505-0432		D115 FOUR POSITION DOVETAIL TOP TOOLING	
THIRD ANGLE PROJECTION		SIZE	REV
		B	B
		PART NO.	
		A96-P4D115	
DO NOT SCALE DRAWING		SCALE 1:2	WEIGHT:
		SHEET 2 OF 2	

8

7

6

5

4

3

2

1