

8

7

6

5

4

3

2

1

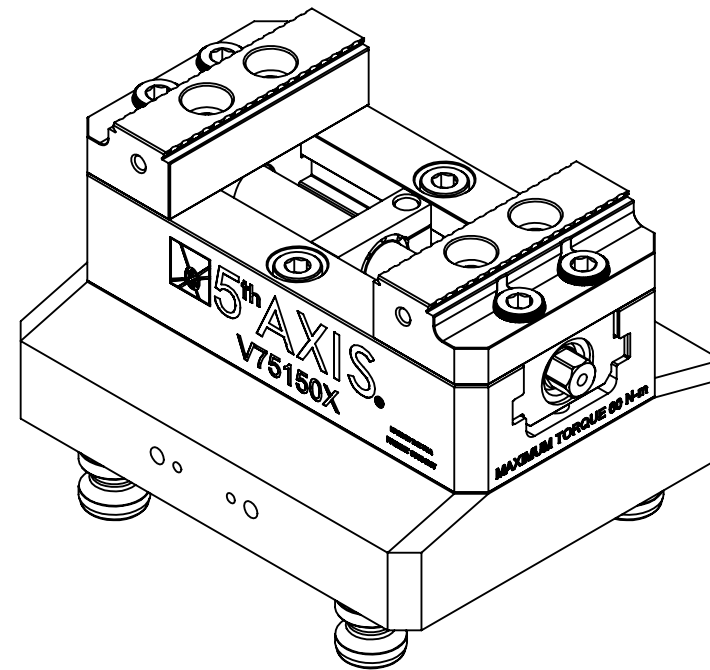
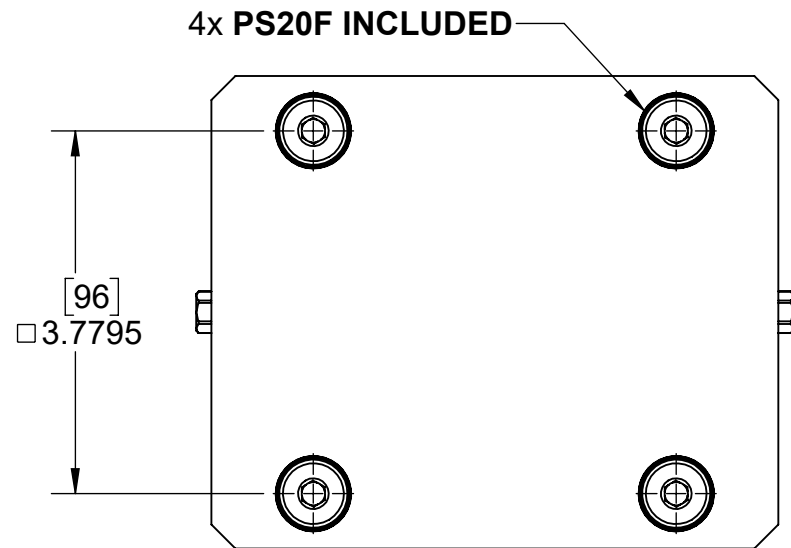
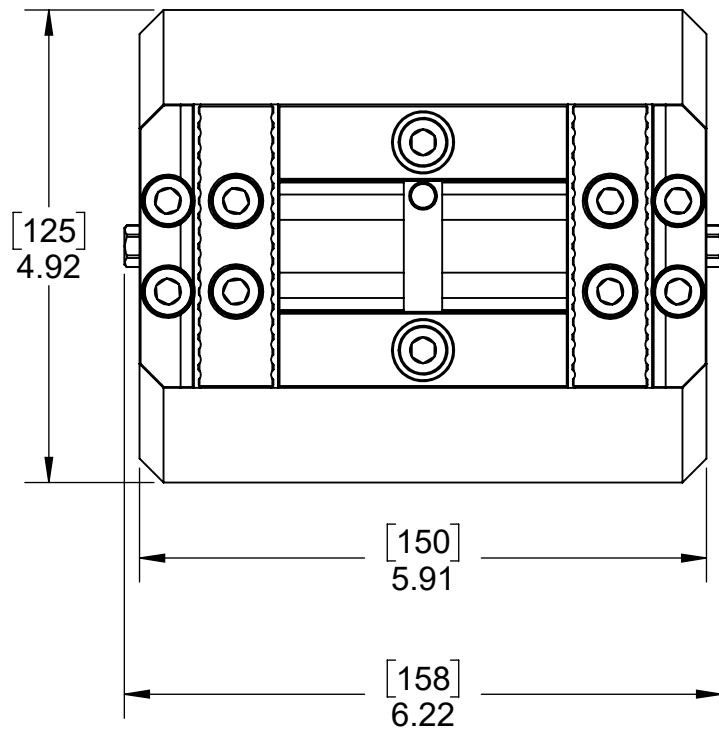
D

D

A96-V75150X

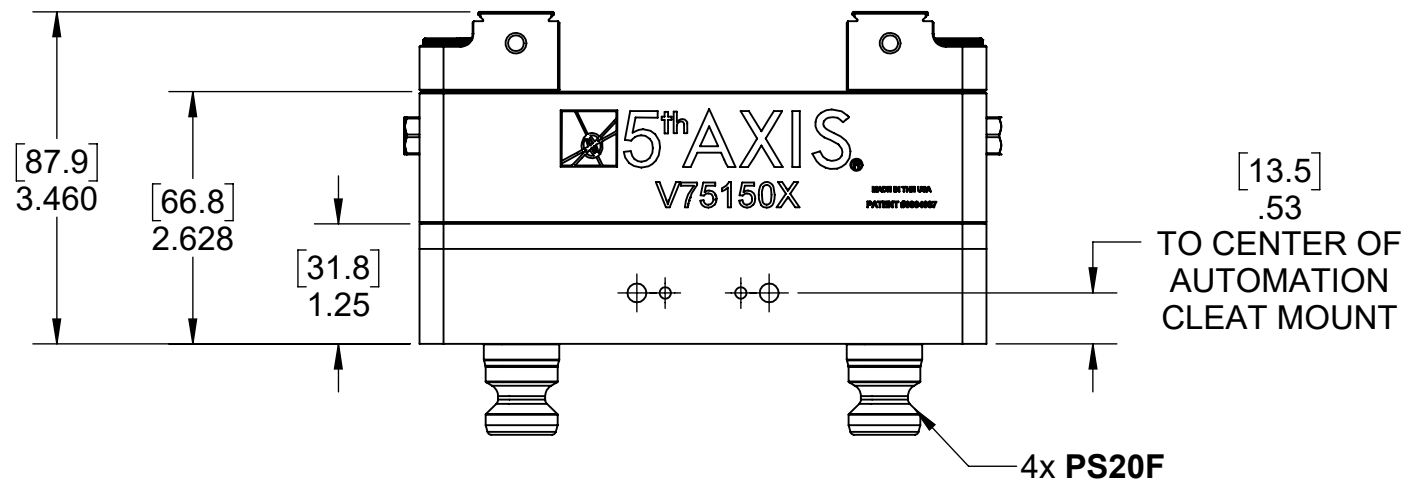
C

C




B

B



A

A

INCH				
WWW.5THAXIS.COM 7140 ENGINEER ROAD SAN DIEGO, CA 92111 P (858) 505-0432				
THIRD ANGLE PROJECTION		DESCRIPTION	MEDIUM SELF-CENTERING VISE TOP TOOLING	
SIZE	PART NO.	A96-V75150X		REV
B				B
DO NOT SCALE DRAWING		SCALE 1:2	WEIGHT:	SHEET 1 OF 2

8

7

6

5

4

3

2

1

8

7

6

5

4

3

2

1

D

D

C

C

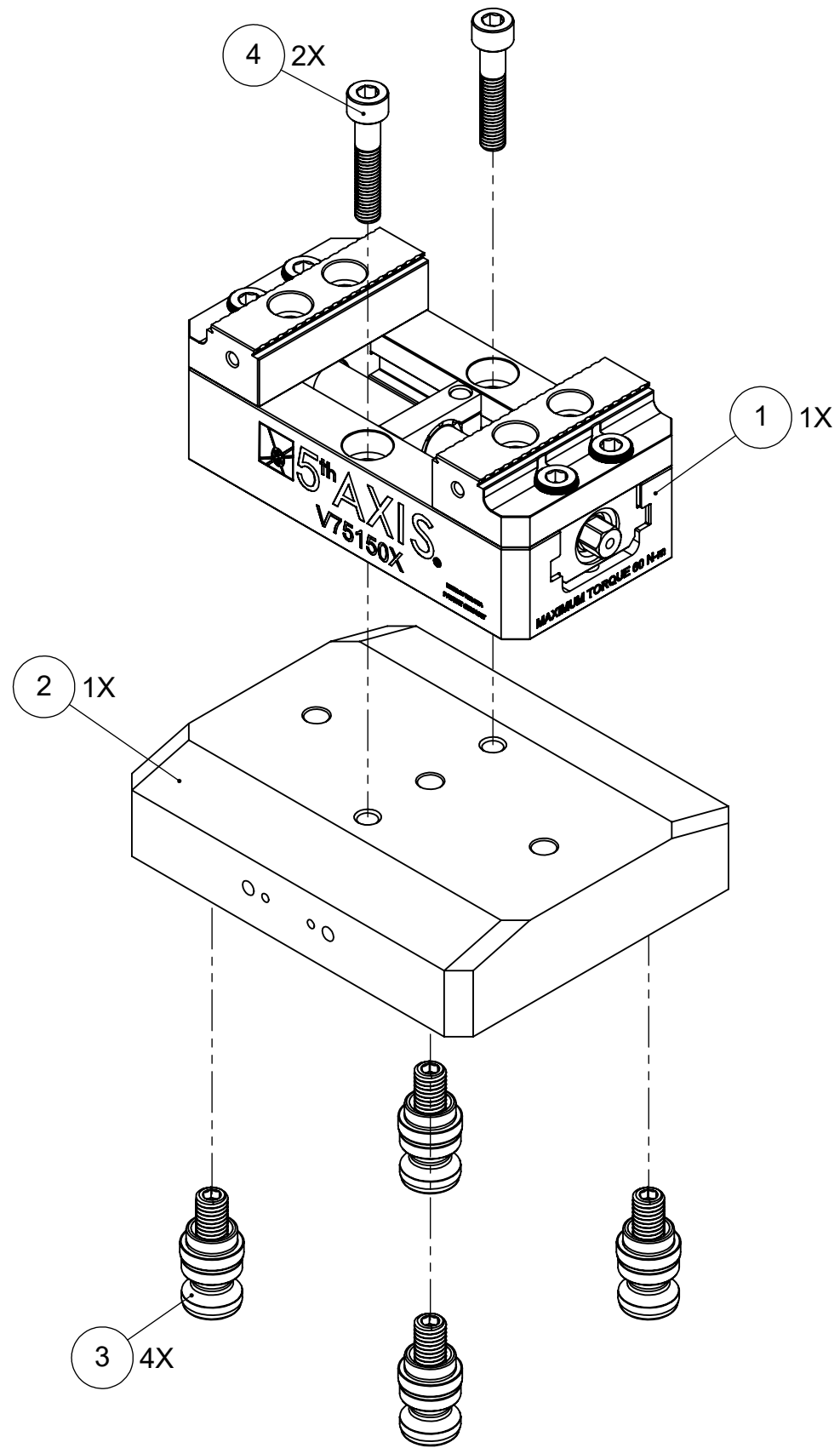
B

B


A

A

A96-V75150X



ITEM NO.	PART NUMBER	DESCRIPTION	QTY.
1	V75150X	WISE, 75MM X 150MM, SELF-CENTERING	1
2	A96-V75150X-1	96MM ROCKLOCK, RISER, V75150X VISE	1
3	PS20F	96mm PULL STUD	4
4	-	SOCKET HEAD SCREW, M8x1.25x40mm	2

INCH			
WWW.5THAXIS.COM 7140 ENGINEER ROAD SAN DIEGO, CA 92111 P (858) 505-0432			
THIRD ANGLE PROJECTION		DESCRIPTION MEDIUM SELF-CENTERING VISE TOP TOOLING	
SIZE B	PART NO. A96-V75150X	REV B	
DO NOT SCALE DRAWING		SCALE 1:2	WEIGHT:
		SHEET 2 OF 2	

8

7

6

5

4

3

2

1