

8

7

6

5

4

3

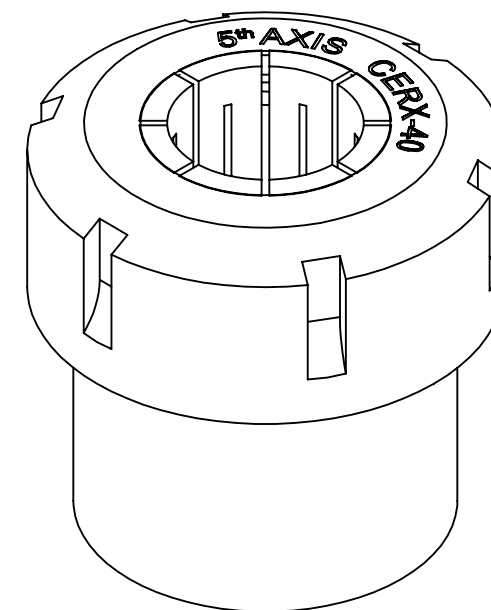
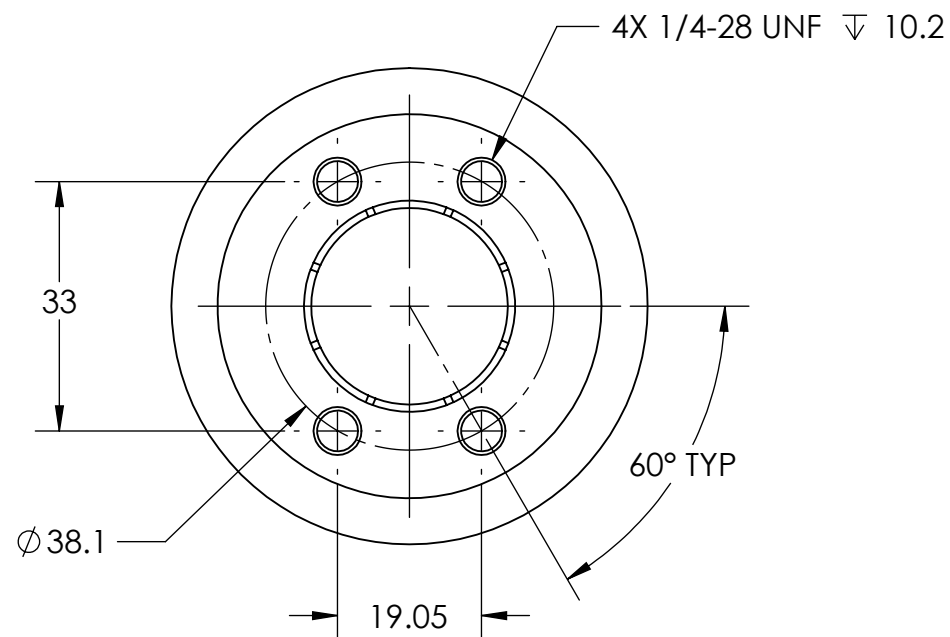
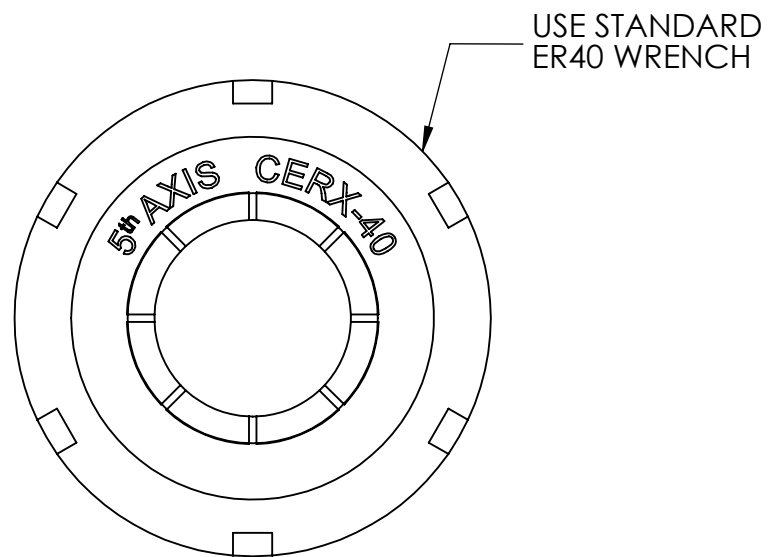
2

1

D

D

CERX-40

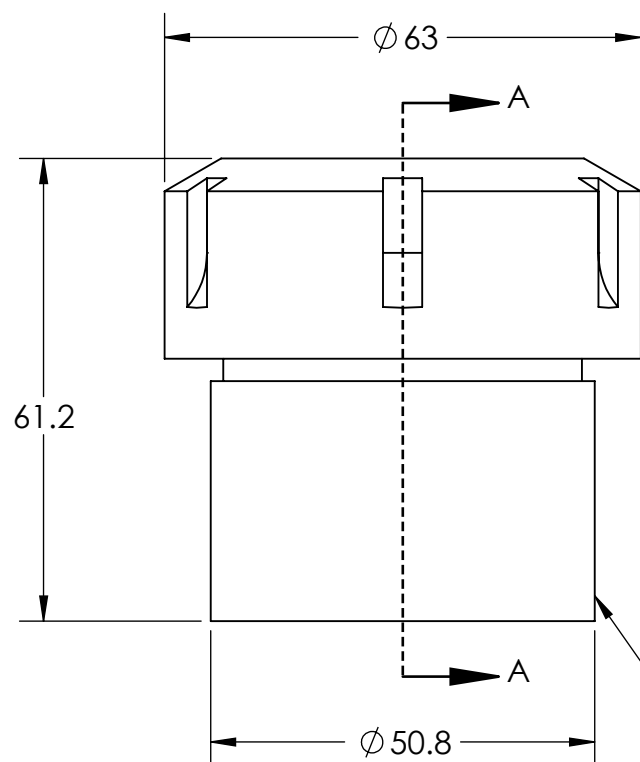


C

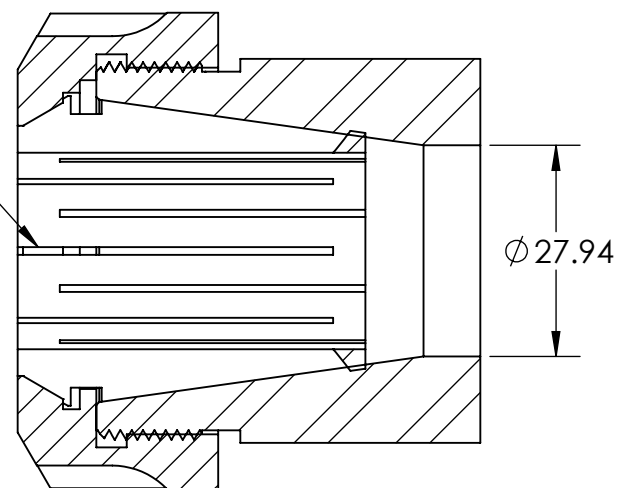
C

B

B



USE ANY ER40 COLLET




SECTION A-A

A

A

PRECISION BORE USED FOR LOCATING

MILLIMETER				
WWW.5THAXIS.COM 7140 ENGINEER ROAD SAN DIEGO, CA 92111 P (858) 505-0432				
THIRD ANGLE PROJECTION		DESCRIPTION	ROUND BAR FIXTURE	
SIZE	PART NO.	CERX-40		REV
B				B
DO NOT SCALE DRAWING		SCALE 1:1	WEIGHT:	SHEET 1 OF 2

8

7

6

5

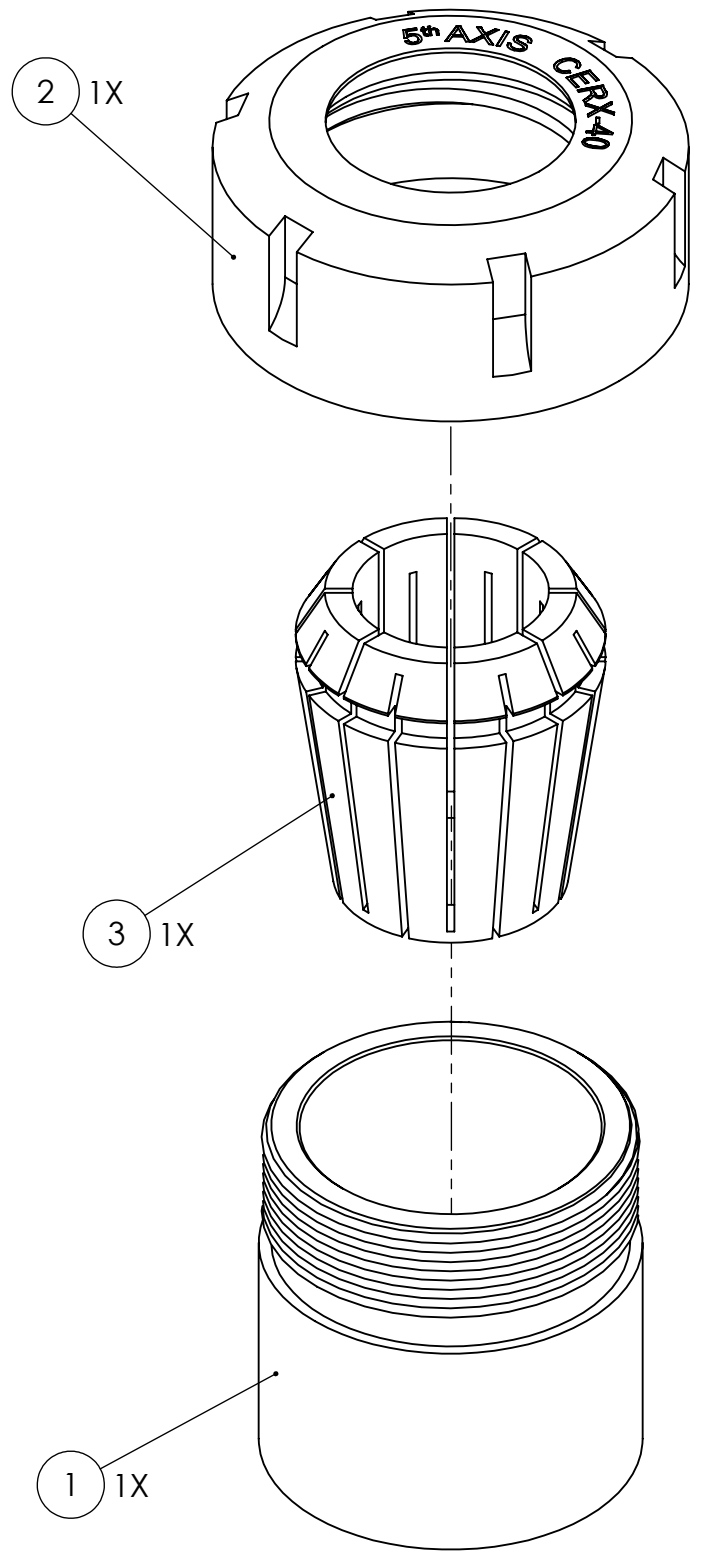
4

3


2

1

CERX-40



ITEM NO.	PART NUMBER	DESCRIPTION	QTY.
1	CERX-40-1	ROUND BAR FIXTURE	1
2	CERX-40-2	CERX-40 NUT	1
3	CERX-40-3	ER40 COLLET	1

MILLIMETER				
WWW.5THAXIS.COM 7140 ENGINEER ROAD SAN DIEGO, CA 92111 P (858) 505-0432				
THIRD ANGLE PROJECTION		DESCRIPTION	ROUND BAR FIXTURE	
SIZE	PART NO.	CERX-40		REV
B				B
DO NOT SCALE DRAWING		SCALE 1:1	WEIGHT:	SHEET 2 OF 2