

8

7

6

5

4

3

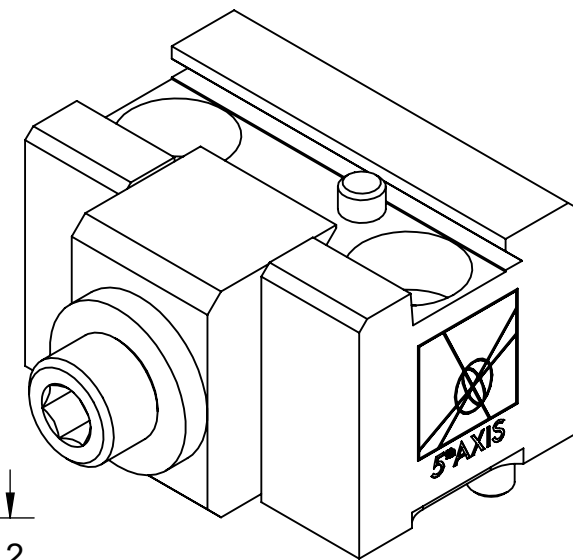
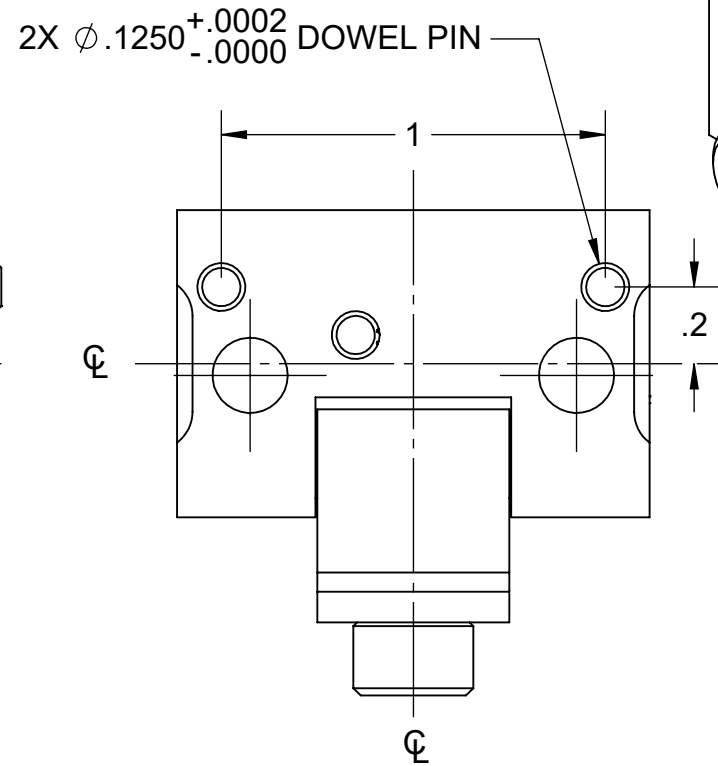
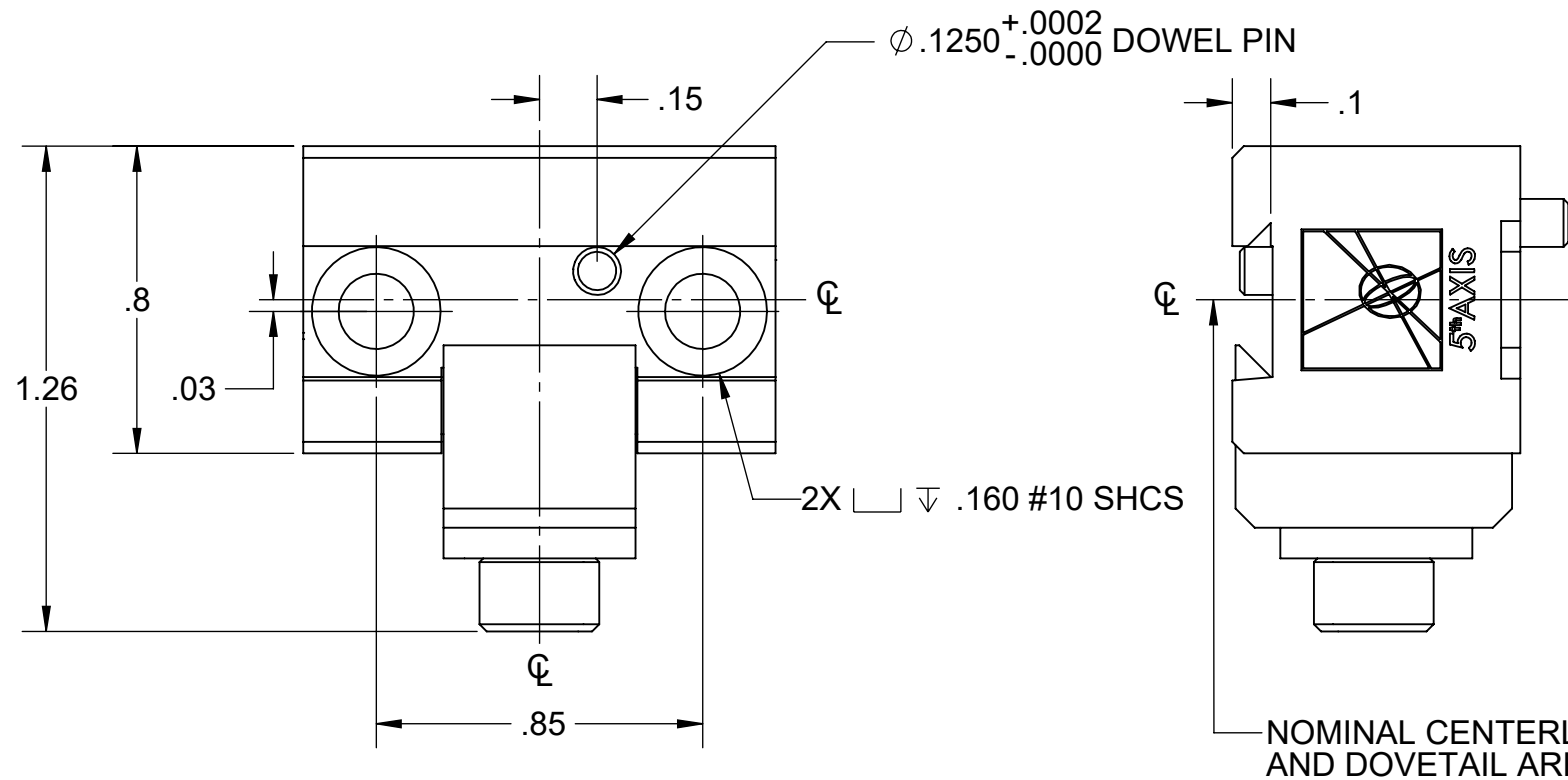
2

1

D

D

# D05125

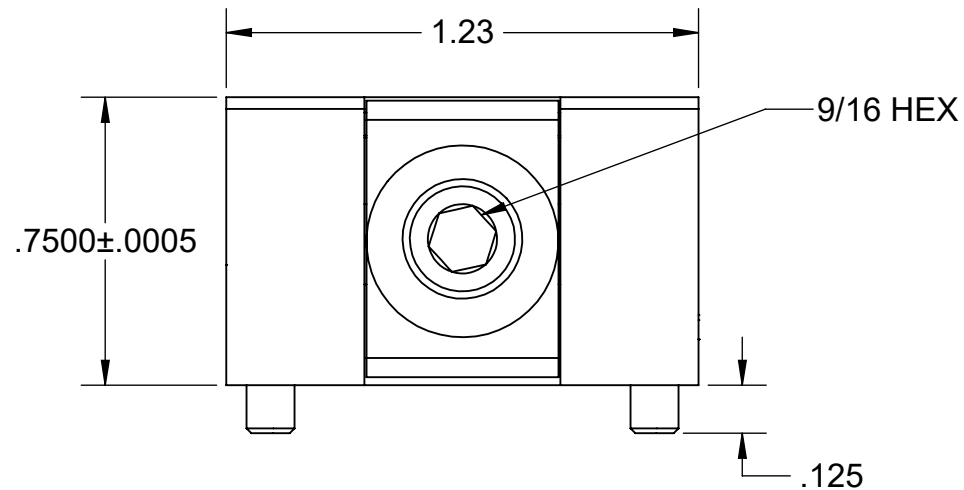


C

C


B

B



A

A

<b>INCH</b>				
WWW.5THAXIS.COM 7140 ENGINEER ROAD SAN DIEGO, CA 92111 P (858) 505-0432				
THIRD ANGLE PROJECTION		DESCRIPTION	<b>SMALL DOVETAIL FIXTURE</b>	
SIZE	PART NO.	D05125		REV
<b>B</b>				<b>B</b>
DO NOT SCALE DRAWING		SCALE 2:1	WEIGHT:	SHEET 1 OF 2

8

7

6

5

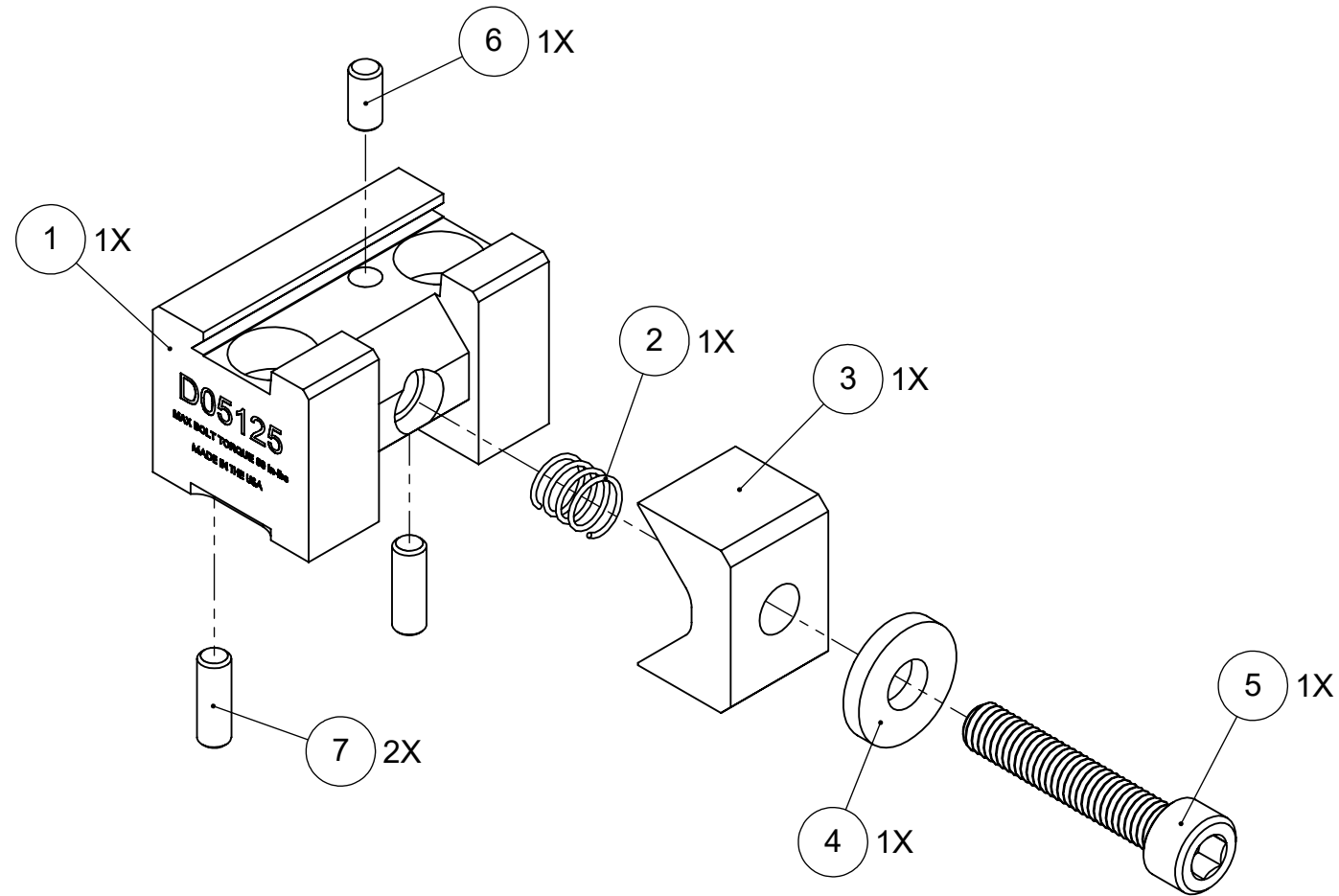
4

3

2


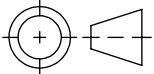
1

# D05125



ITEM NO.	PART NUMBER	DESCRIPTION	QTY.
1	D05125-1	BODY	1
2	HW.0236X0256.CS	COMPRESSION SPRING	1
3	CLW10	WEDGE	1
4	HW.0203X0500.FW	FLAT WASHER	1
5	-	SOCKET HEAD CAP SCREW, #10-32 x 1"	1
6	HW.0125X0250.DP	DOWEL PIN	1
7	HW.0125X0375.DP	DOWEL PIN	2

**FOR REFERENCE ONLY - NOT FOR RESALE**

<b>INCH</b>			
WWW.5THAXIS.COM		DESCRIPTION	
7140 ENGINEER ROAD SAN DIEGO, CA 92111 P (858) 505-0432		<b>SMALL DOVETAIL FIXTURE</b>	
THIRD ANGLE PROJECTION		SIZE	REV
		<b>B</b>	<b>B</b>
		PART NO.	WEIGHT:
		<b>D05125</b>	
DO NOT SCALE DRAWING		SCALE 3:2	SHEET 2 OF 2