

8

7

6

5

4

3

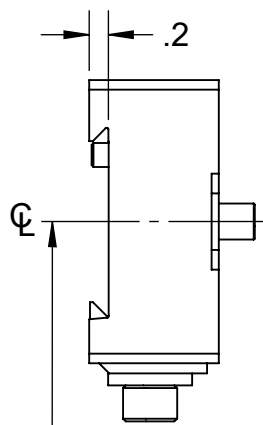
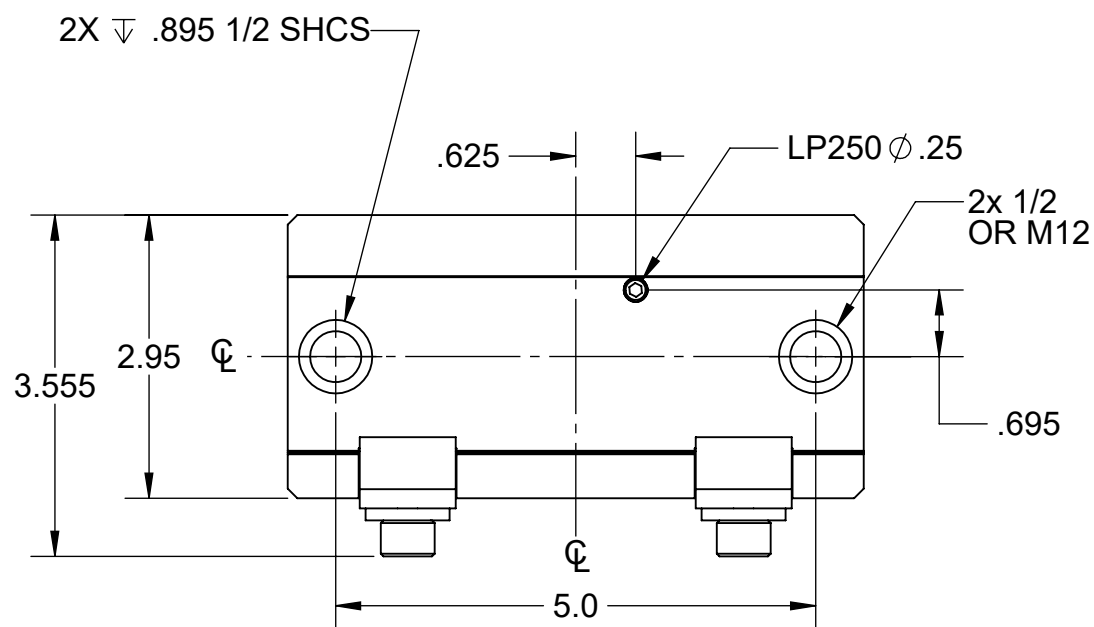
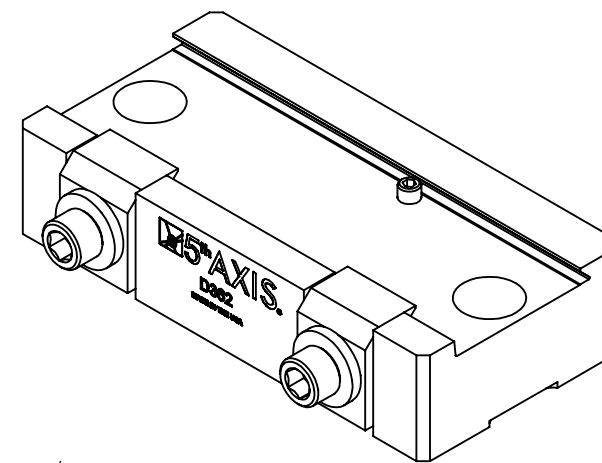
2

1

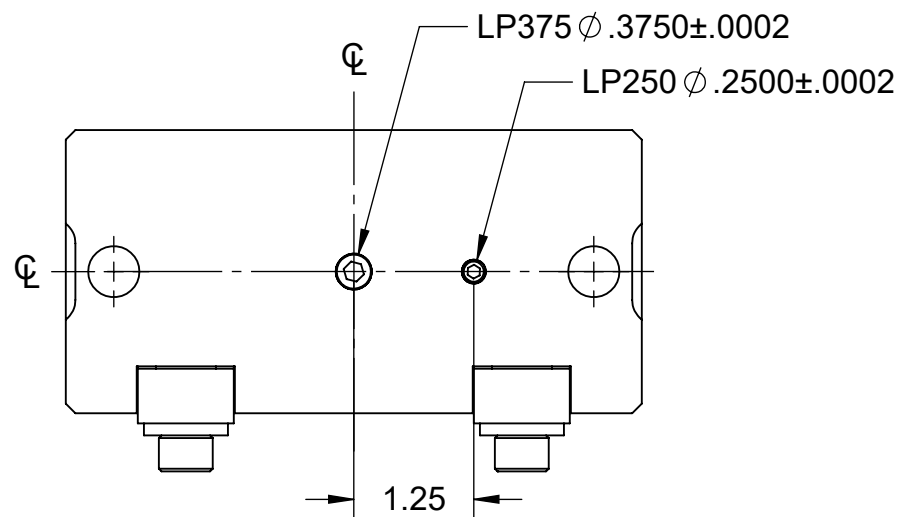
D

D

D362



NOMINAL CENTERLINE OF BODY AND DOVETAIL ARE EQUAL

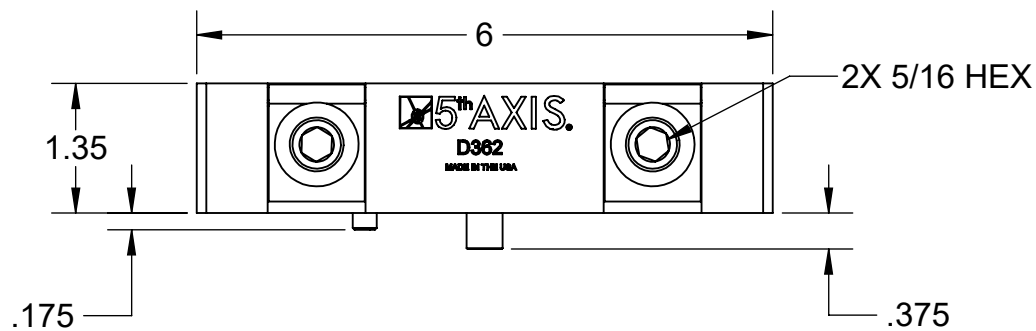


C

C


B

B



A

A

| | | | | |
|--|--|---|-------------------------|-----------------|
| INCH | |  | | |
| WWW.5THAXIS.COM 7140 ENGINEER ROAD SAN DIEGO, CA 92111 P (858) 505-0432 | | | | |
| THIRD ANGLE PROJECTION | | SIZE B | PART NO. D362 | REV B |
| DO NOT SCALE DRAWING | | SCALE 1:2 | WEIGHT: 2.47 KG | SHEET 1 OF 2 |

8

7

6

5

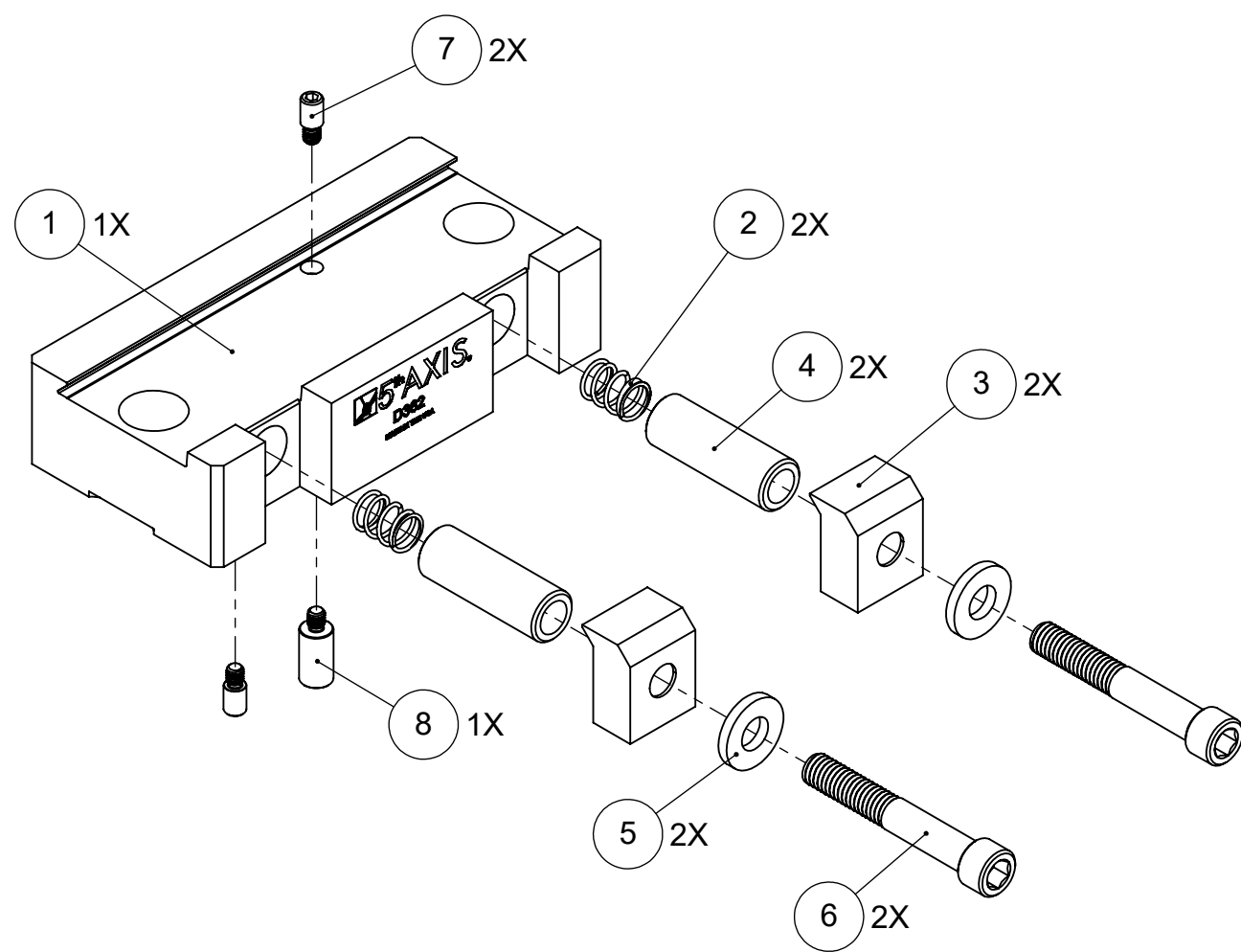
4

3

2


1

D362



| ITEM NO. | PART NUMBER | DESCRIPTION | QTY. |
|----------|--------------|--|------|
| 1 | D362-1 | BODY | 1 |
| 2 | HW.LC045G02M | COMPRESSION SPRING | 2 |
| 3 | CDM375 | CLAMP | 2 |
| 4 | SLD375 | SLEEVE | 2 |
| 5 | HW.0375.FW | FLAT WASHER | 2 |
| 6 | - | SOCKET HEAD CAP SCREW, 3/8-16 X 2-1/2" | 2 |
| 7 | LP250 | LOCATING PIN, 1/4" (P/N: LP250) | 2 |
| 8 | LP375 | LOCATING PIN | 1 |

FOR REFERENCE ONLY - NOT FOR RESALE

| | | | | |
|--|----------|---|-------------------------------------|--------------|
| INCH | |  | | |
| WWW.5THAXIS.COM 7140 ENGINEER ROAD SAN DIEGO, CA 92111 P (858) 505-0432 | | | | |
| THIRD ANGLE PROJECTION | | DESCRIPTION | EXTRA LARGE DOVETAIL FIXTURE | |
| SIZE | PART NO. | D362 | | REV |
| B | | | | B |
| DO NOT SCALE DRAWING | | SCALE 1:2 | WEIGHT: 2.47 KG | SHEET 2 OF 2 |