

8

7

6

5

4

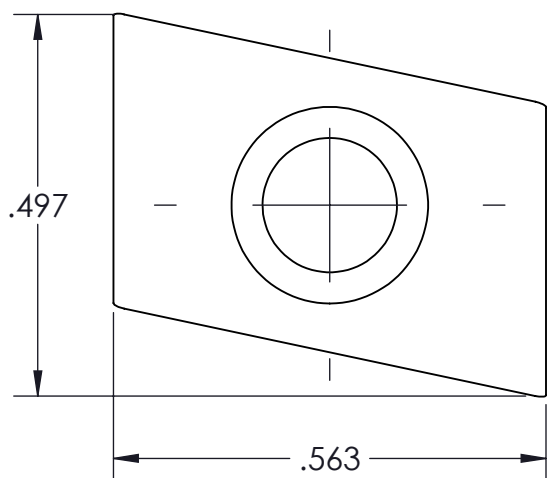
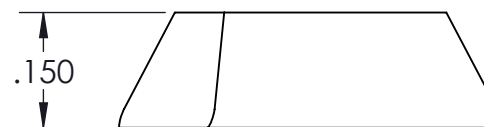
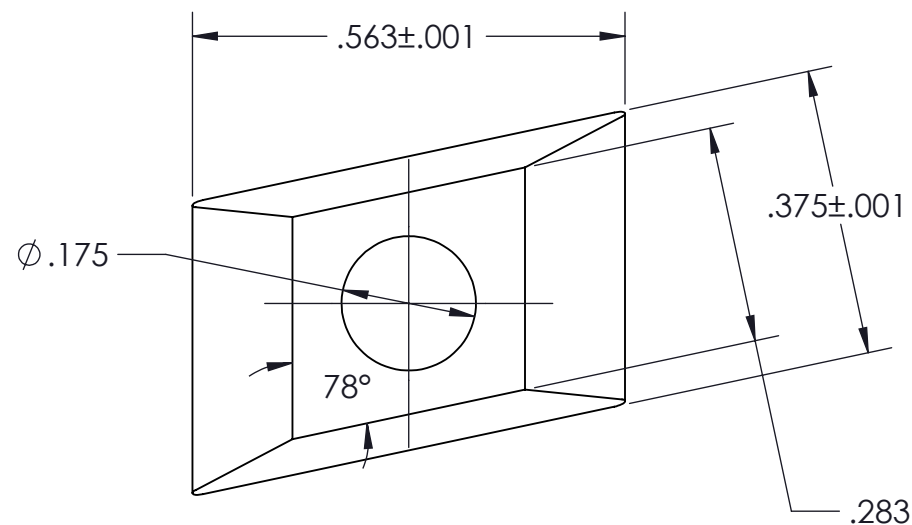
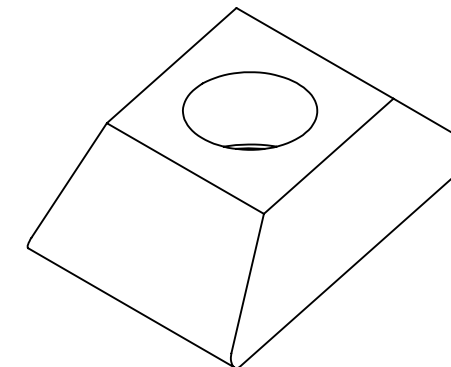
3


2

1

MATERIAL: CARBIDE

DC1750-B



INCH				
WWW.5THAXIS.COM 7140 ENGINEER ROAD SAN DIEGO, CA 92111 P (858) 505-0432				
THIRD ANGLE PROJECTION		DESCRIPTION	DOVETAIL CUTTER INSERT	
SIZE	PART NO.	REV		
B	DC1750-B	B		
DO NOT SCALE DRAWING		SCALE 1:1	WEIGHT: 0.0103 LBS	SHEET 1 OF 1

8

7

6

5

4

3

2

1

D

D

C

C

B

B

A

A