

8

7

6

5

4

3

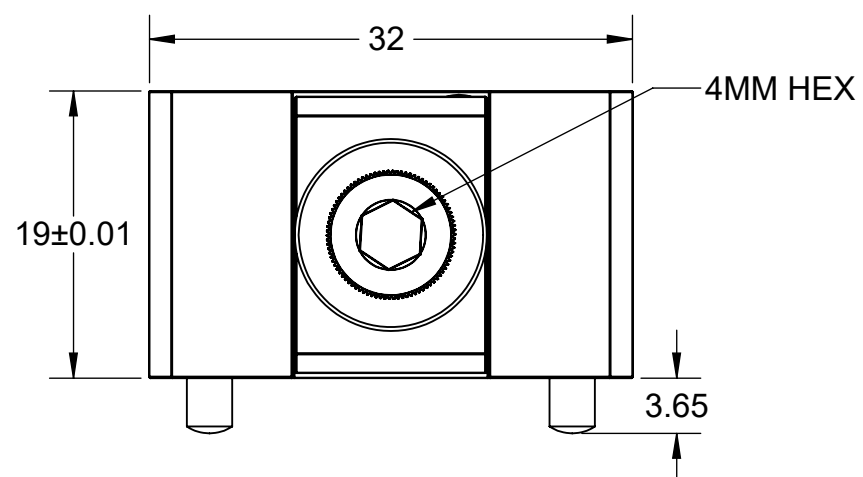
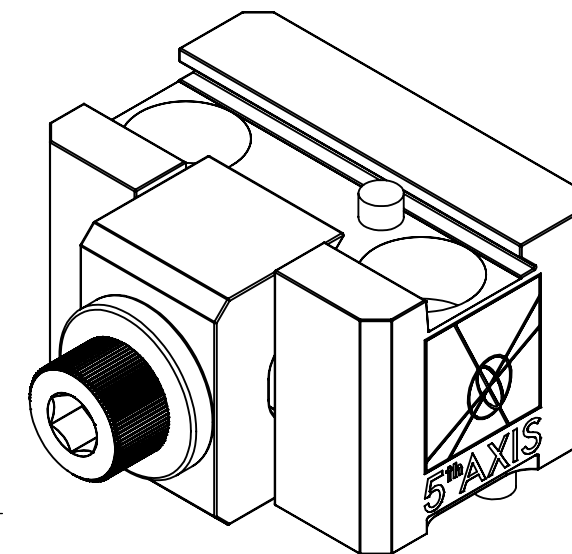
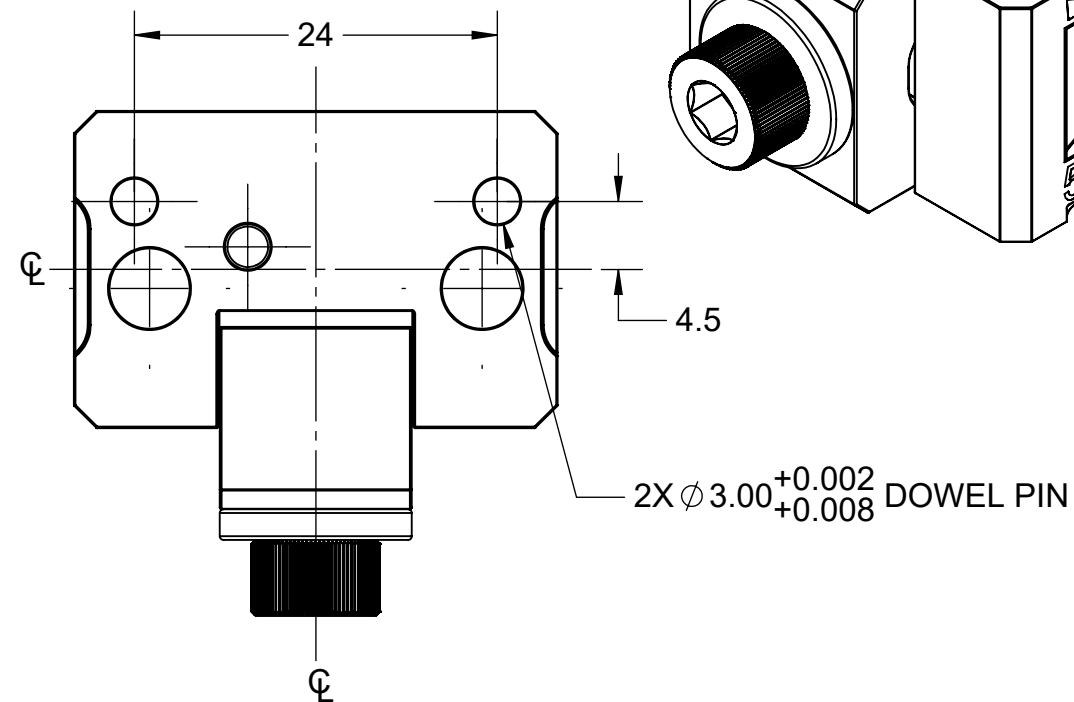
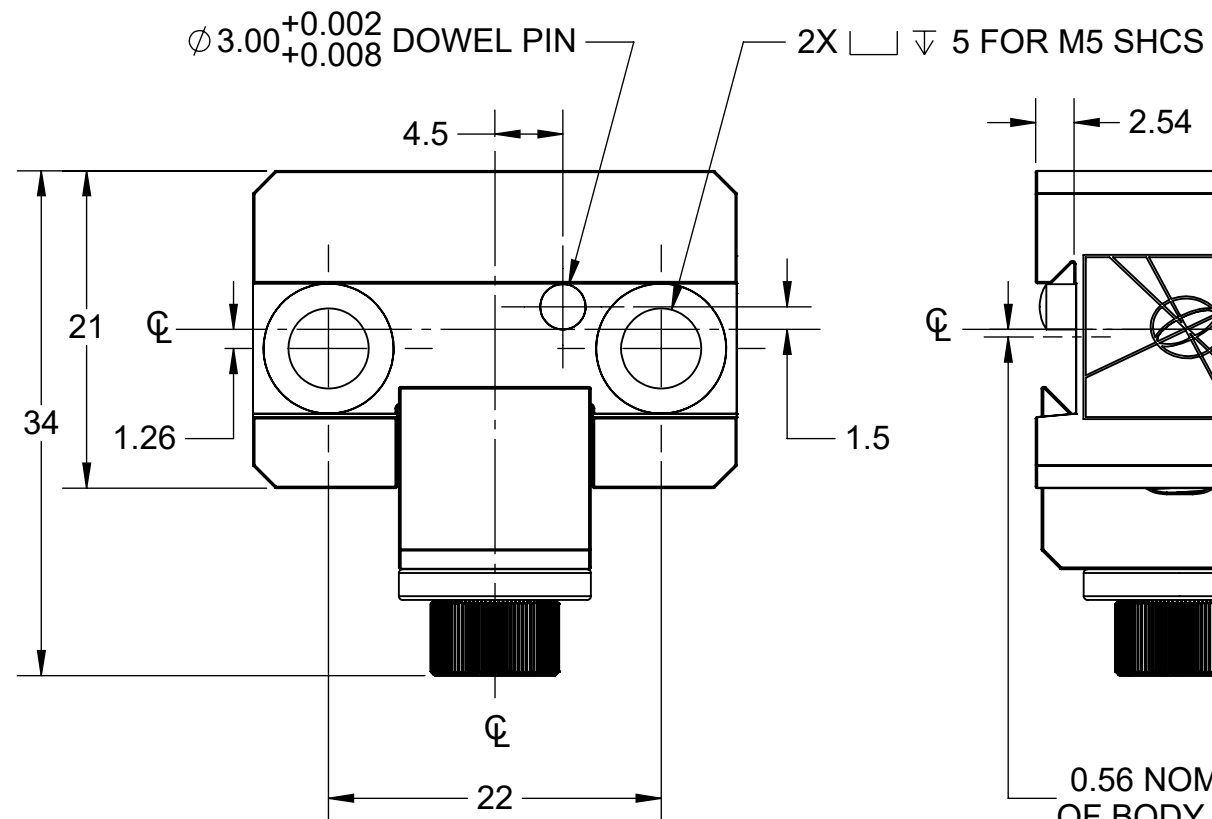
2

1

D

D

# DM12



C


C

B

B

A

A

<b>MILLIMETER</b>				
WWW.5THAXIS.COM 7140 ENGINEER ROAD SAN DIEGO, CA 92111 P (858) 505-0432				
THIRD ANGLE PROJECTION		DESCRIPTION	<b>SMALL DOVETAIL FIXTURE</b>	
SIZE	PART NO.	DM12		REV
<b>B</b>				<b>B</b>
DO NOT SCALE DRAWING		SCALE 2:1	WEIGHT:	SHEET 1 OF 2

8

7

6

5

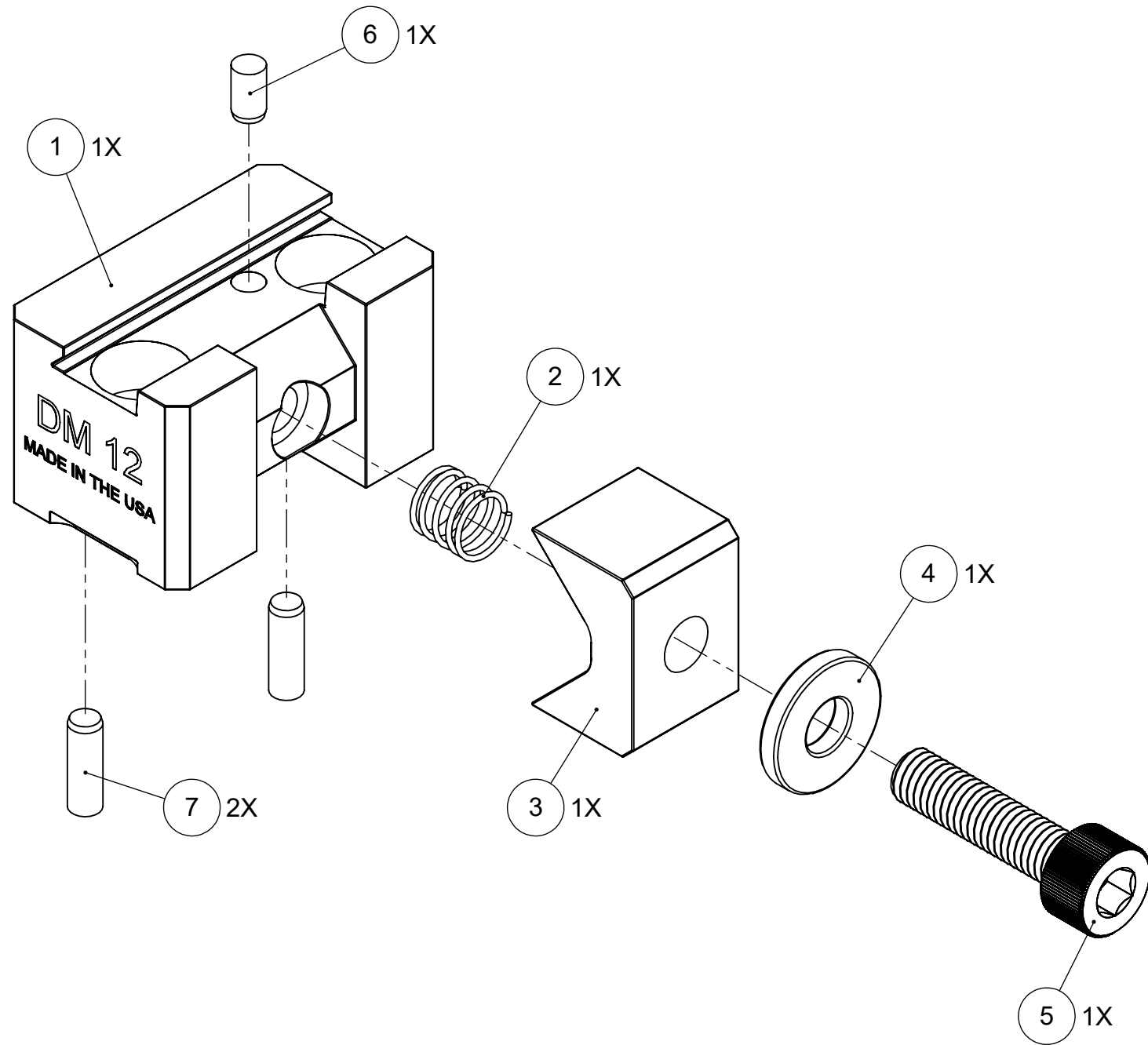
4

3


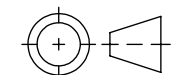
2

1

# DM12



ITEM NO.	PART NUMBER	DESCRIPTION	QTY.
1	DM12	BODY	1
2	-	COMPRESSION SPRINGS, 0.25" LONG, 0.25" OD, 0.21" ID	1
3	CLW10M	CLAMP	1
4	HW.0203X0500.FW	FLAT WASHER	1
5	-	SOCKET HEAD SCREW, M5x0.8x20mm	1
6	-	3x6mm DOWEL PIN	1
7	-	3x10mm DOWEL PIN	2
FOR REFERENCE ONLY - NOT FOR RESALE			

<b>MILLIMETER</b>			
WWW.5THAXIS.COM		<b>SMALL DOVETAIL FIXTURE</b>	
7140 ENGINEER ROAD SAN DIEGO, CA 92111 P (858) 505-0432			
THIRD ANGLE PROJECTION		DESCRIPTION	REV
		SIZE <b>B</b>	PART NO. <b>DM12</b>
DO NOT SCALE DRAWING		SCALE 2:1	WEIGHT:
SHEET 2 OF 2			