

8

7

6

5

4

3

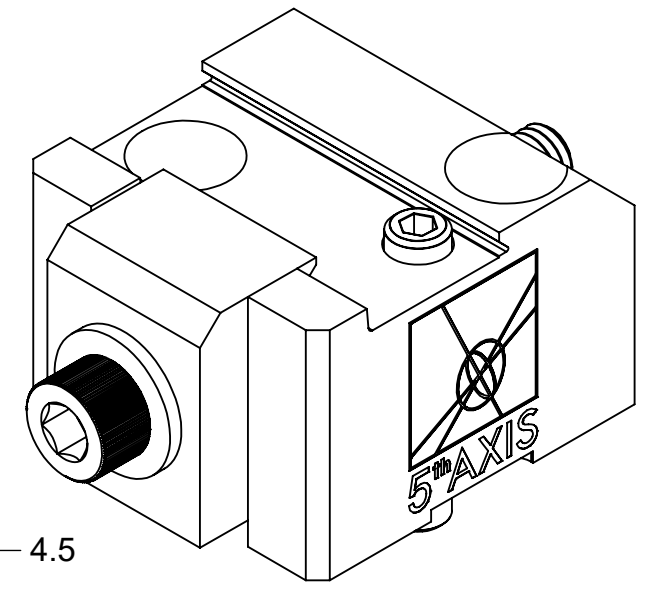
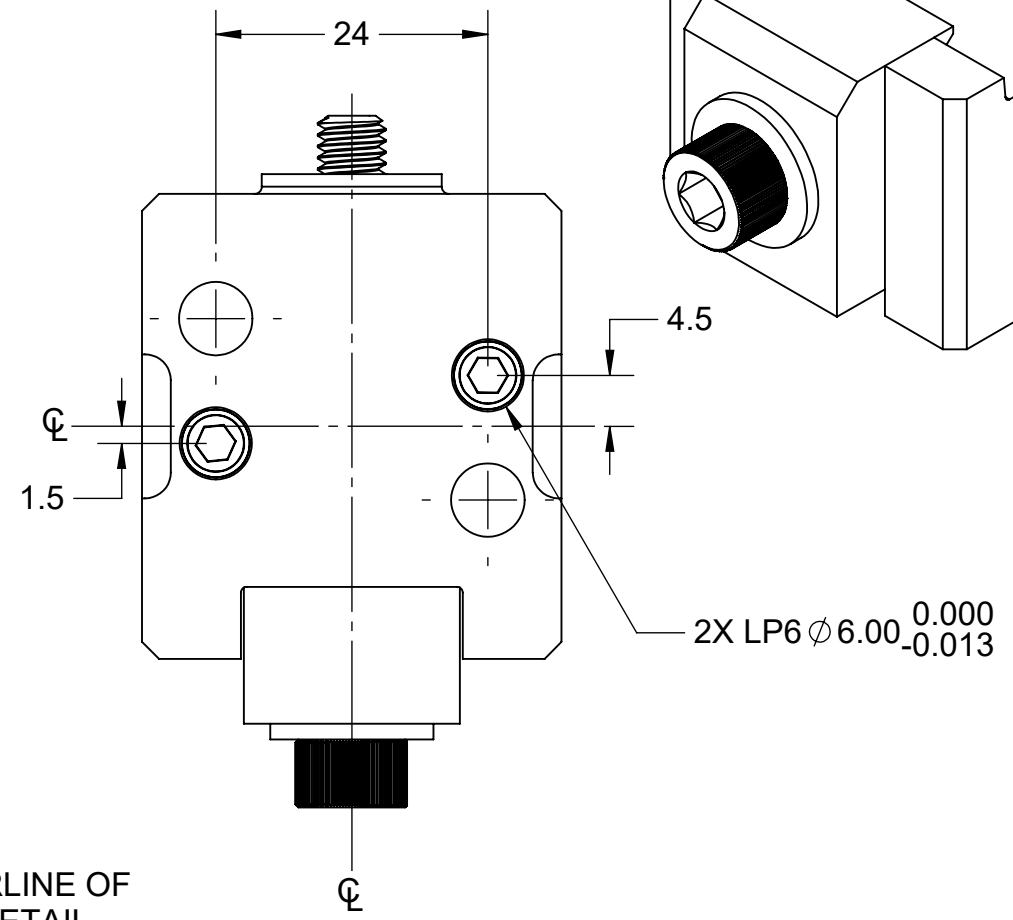
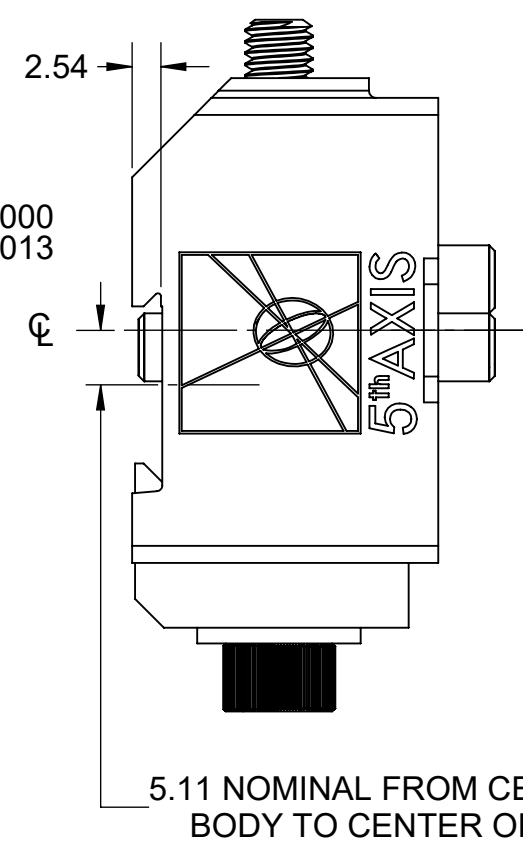
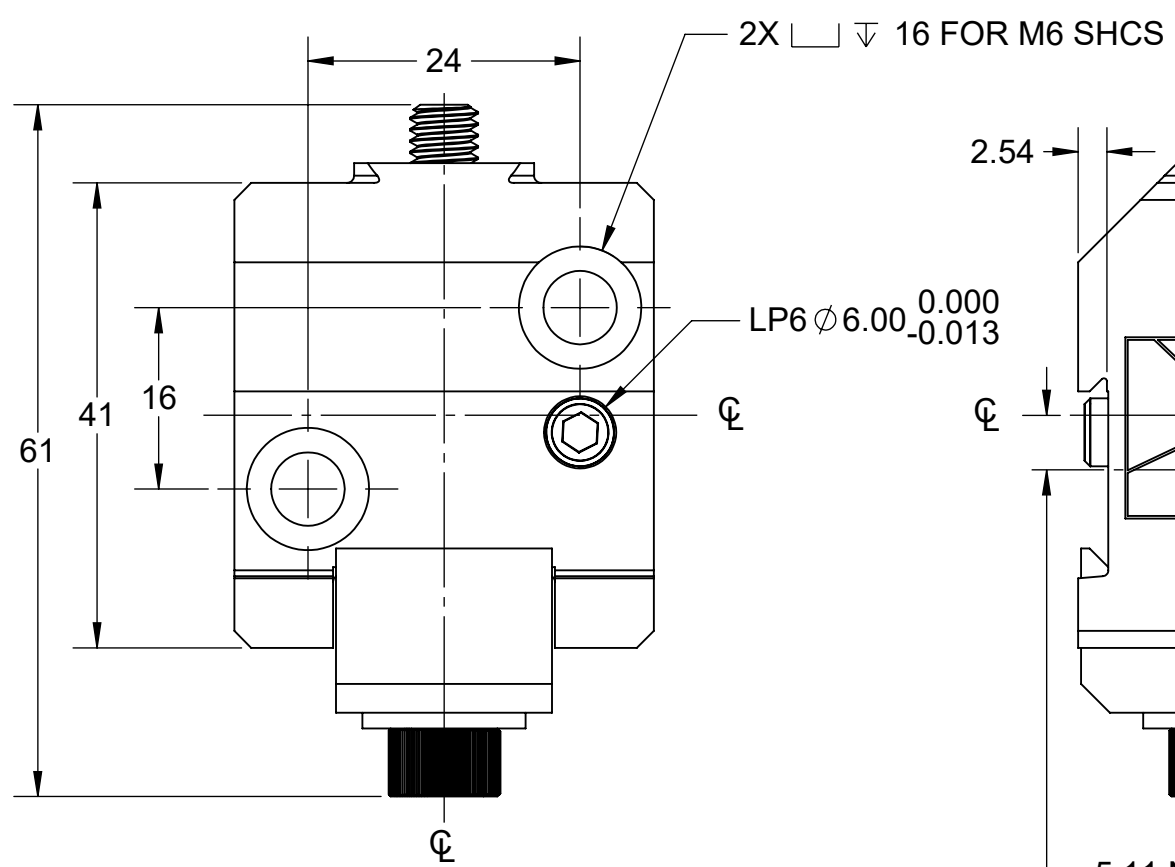
2

1

D

D

# DM25

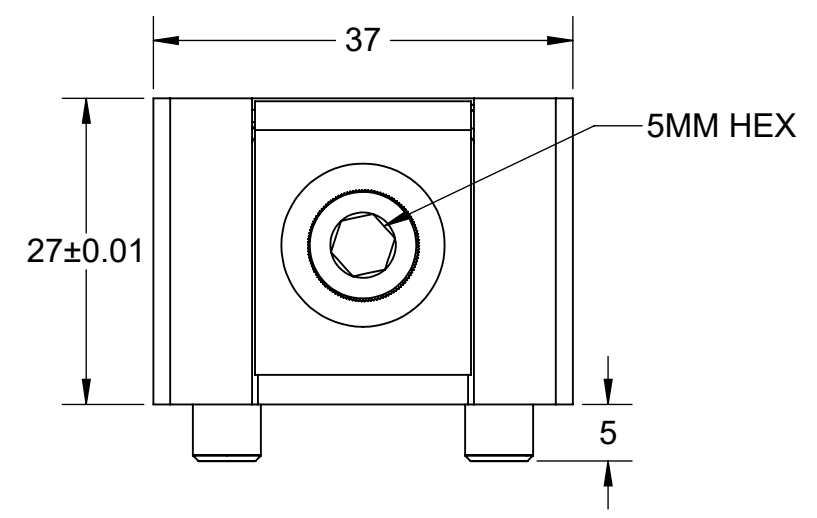


C

C


B

B



A

A

<b>MILLIMETER</b>			
WWW.5THAXIS.COM			
7140 ENGINEER ROAD SAN DIEGO, CA 92111 P (858) 505-0432		DESCRIPTION <b>MEDIUM DOVETAIL FIXTURE</b>	
THIRD ANGLE PROJECTION	SIZE <b>B</b>	PART NO. <b>DM25</b>	REV <b>B</b>
DO NOT SCALE DRAWING		SCALE 3:2	WEIGHT:
		SHEET 1 OF 2	

8

7

6

5

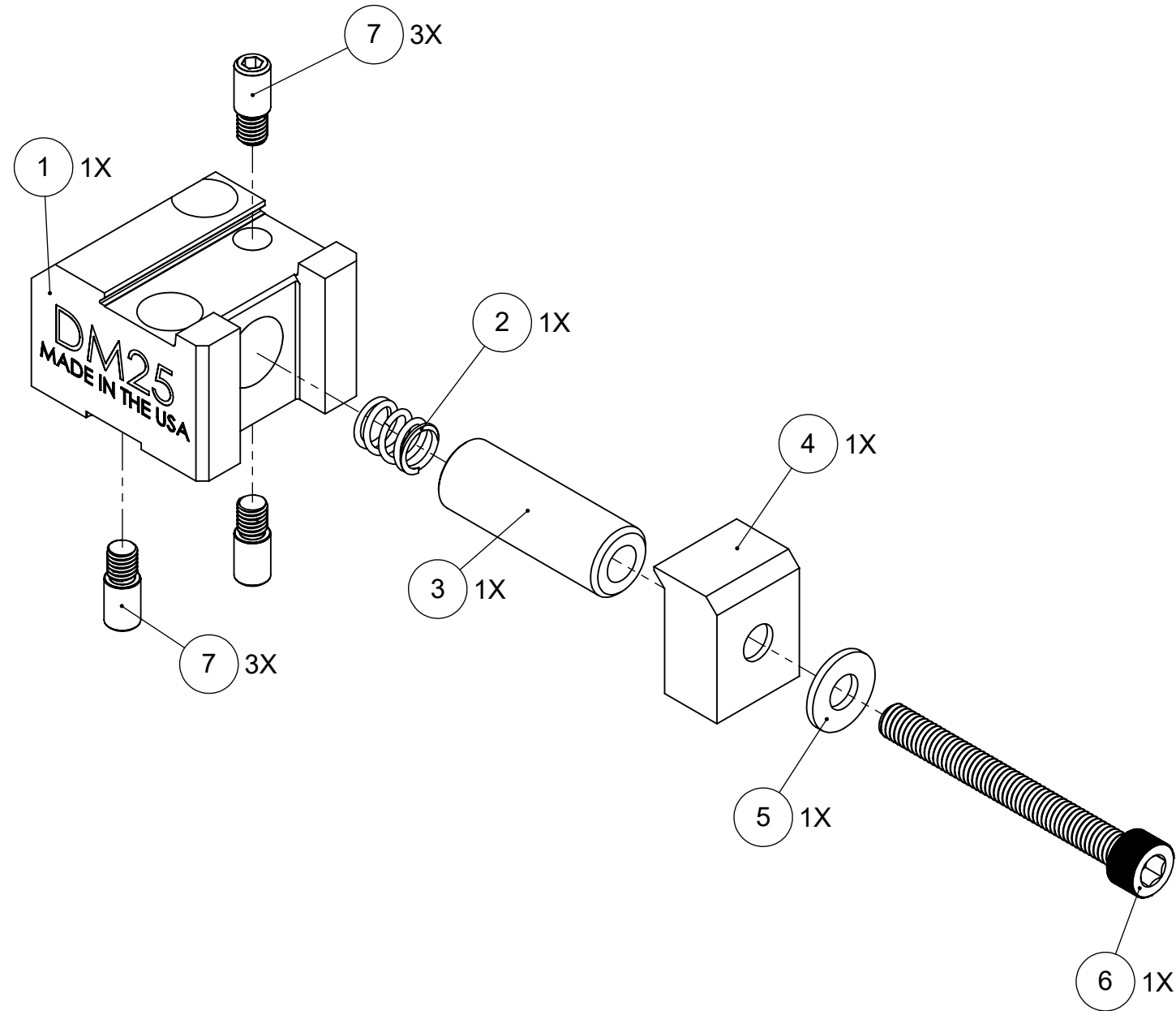
4

3

2


1

# DM25



ITEM NO.	PART NUMBER	DESCRIPTION	QTY.
1	DM25-1	BODY	1
2	HW.LCM110E01M	COMPRESSION SPRING	1
3	SLD25	CLAMP SLEEVE	1
4	CDS25	CLAMP FIXTURE	1
5	HW.0250.FW	FLAT WASHER	1
6	-	SOCKET HEAD SCREW, M6x1x55mm	1
7	LP6	LOCATING PIN	3

FOR REFERENCE ONLY - NOT FOR RESALE

<b>MILLIMETER</b> WWW.5THAXIS.COM 7140 ENGINEER ROAD SAN DIEGO, CA 92111 P (858) 505-0432			
	DESCRIPTION <b>MEDIUM DOVETAIL FIXTURE</b>		
THIRD ANGLE PROJECTION	SIZE <b>B</b>	PART NO. <b>DM25</b>	REV <b>B</b>
DO NOT SCALE DRAWING		SCALE 1:1	WEIGHT: SHEET 2 OF 2