

8

7

6

5

4

3

2

1

D

D

C

C

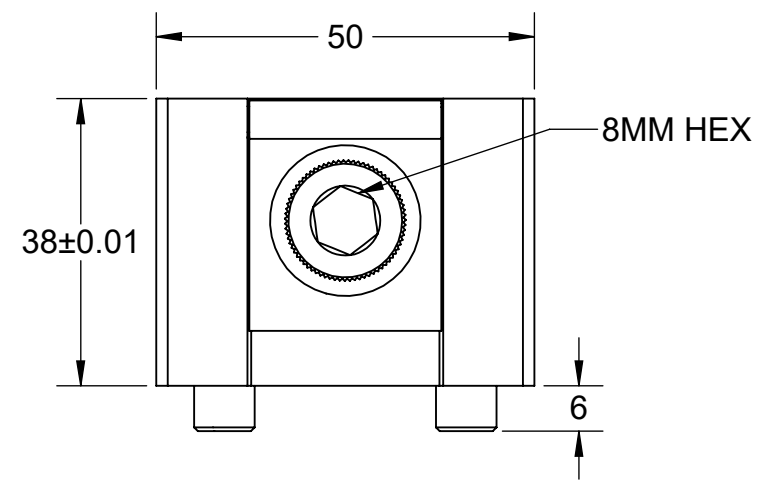
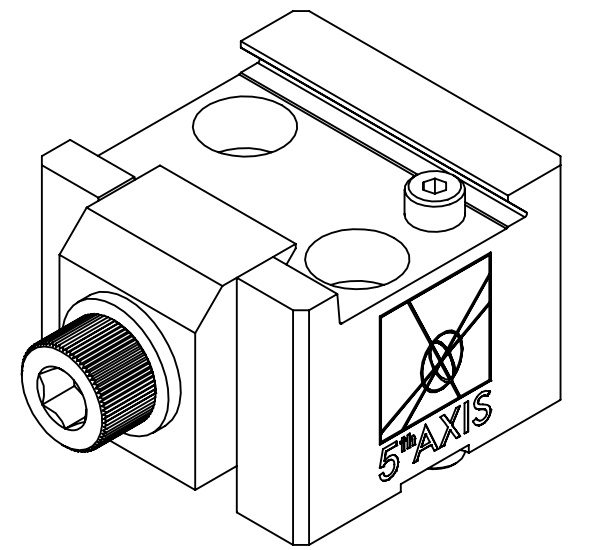
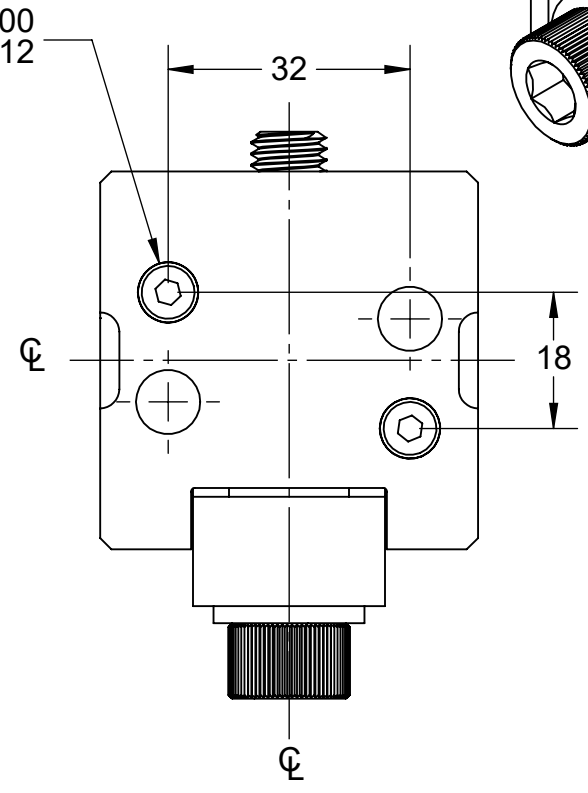
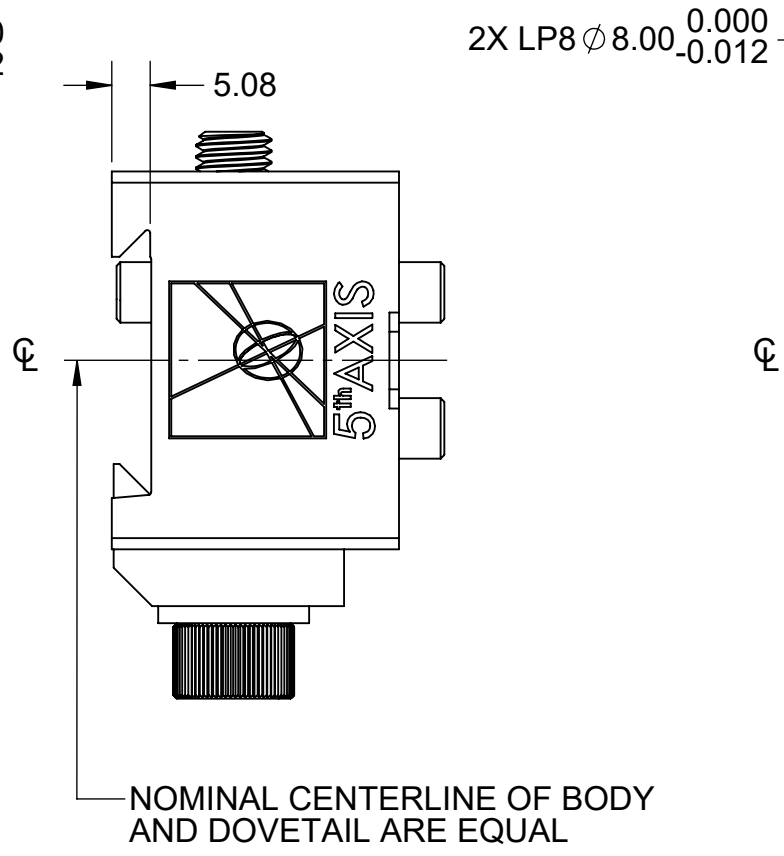
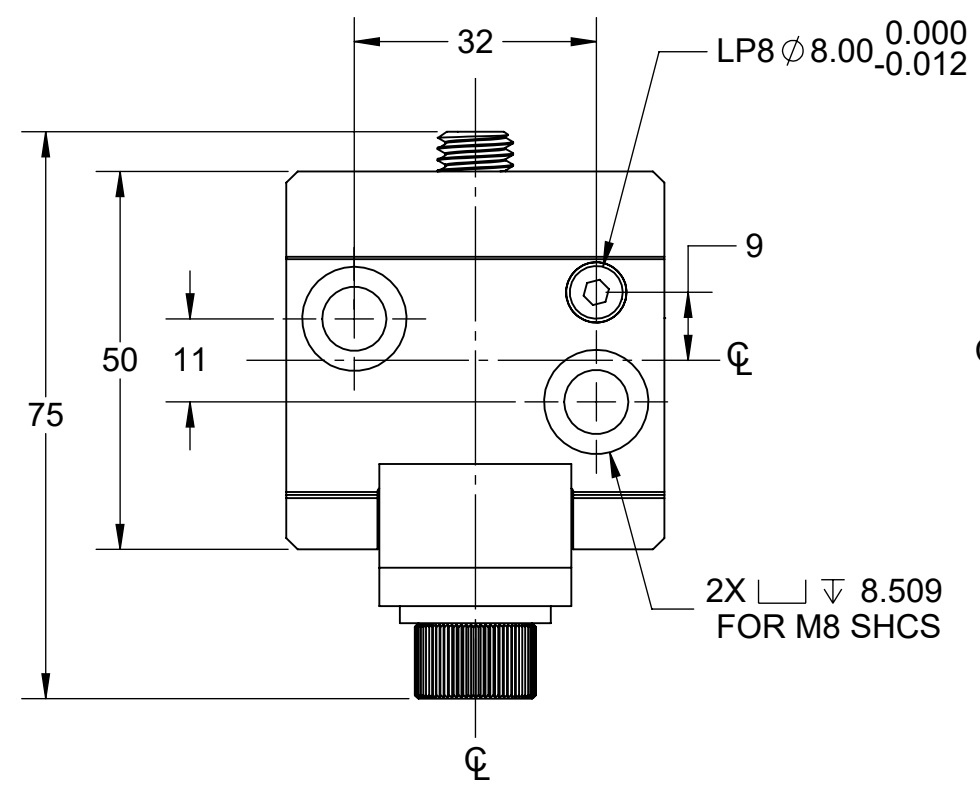
B


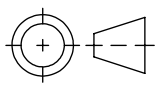
B

A

A

DM50



MILLIMETER				
WWW.5THAXIS.COM 7140 ENGINEER ROAD SAN DIEGO, CA 92111 P (858) 505-0432				
THIRD ANGLE PROJECTION		SIZE	PART NO.	REV
		B	DM50	B
DO NOT SCALE DRAWING		SCALE 1:1	WEIGHT:	SHEET 1 OF 2

8

7

6

5

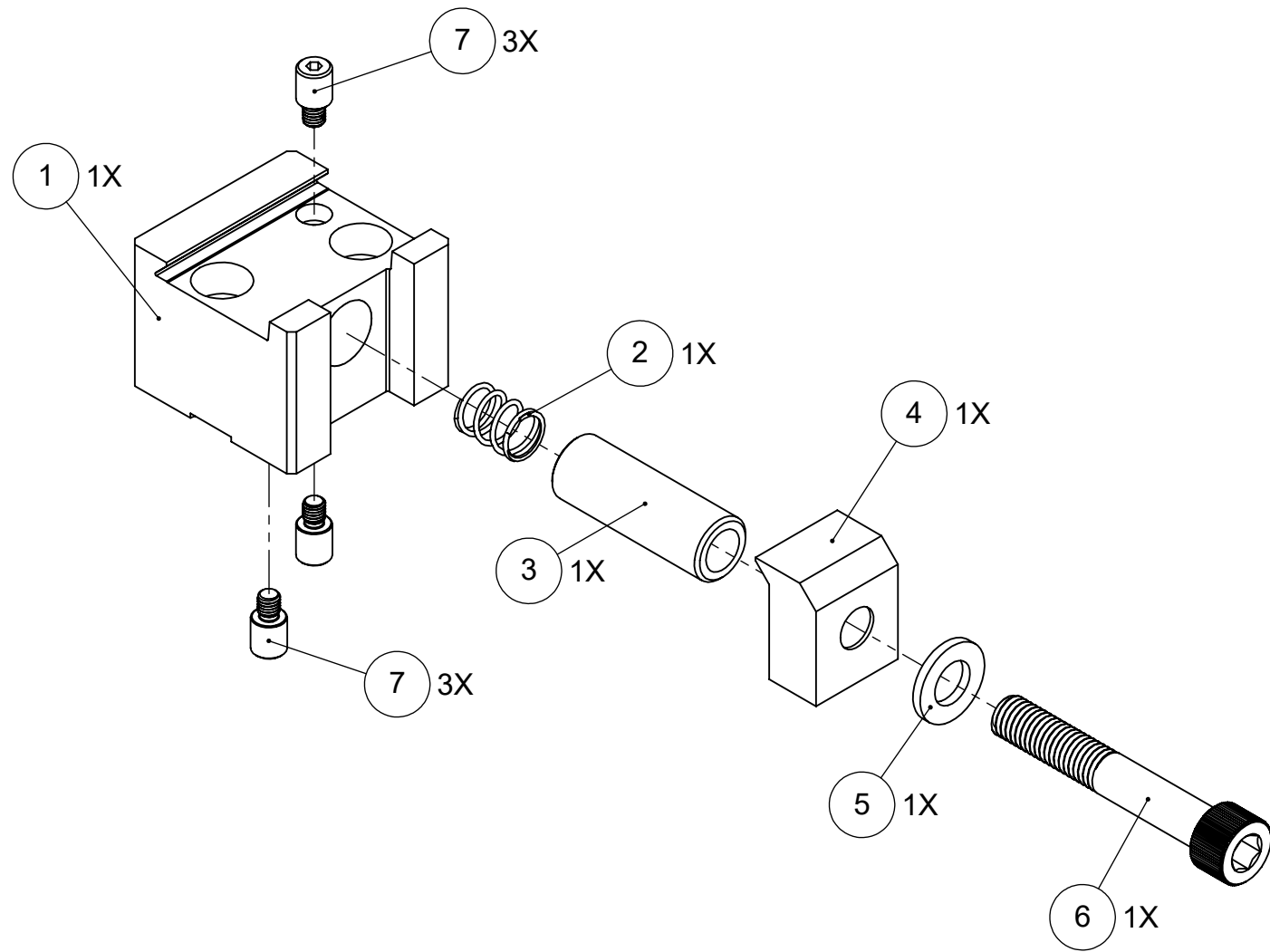
4

3

2


1

DM50



ITEM NO.	PART NUMBER	DESCRIPTION	QTY.
1	DM50	BODY	1
2	HW.LC045G02M	COMPRESSION SPRING	1
3	SLD375	CLAMP SLEEVE	1
4	CDM375M	CLAMP FIXTURE	1
5	HW.M10.FW	FLAT WASHER	1
6	-	SOCKET HEAD CAP SCREW, M10-1.5x65	1
7	LP8	LOCATING PIN	3

FOR REFERENCE ONLY - NOT FOR RESALE

MILLIMETER				
WWW.5THAXIS.COM 7140 ENGINEER ROAD SAN DIEGO, CA 92111 P (858) 505-0432				
THIRD ANGLE PROJECTION		DESCRIPTION	LARGE DOVETAIL FIXTURE	
SIZE	PART NO.	DM50		REV
B				B
DO NOT SCALE DRAWING		SCALE 1:1	WEIGHT:	SHEET 2 OF 2