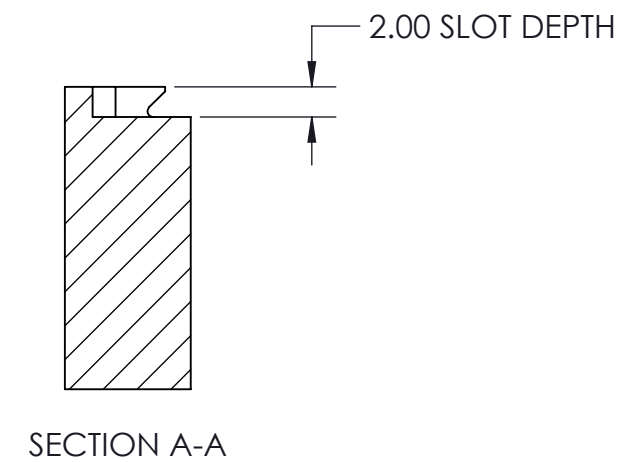
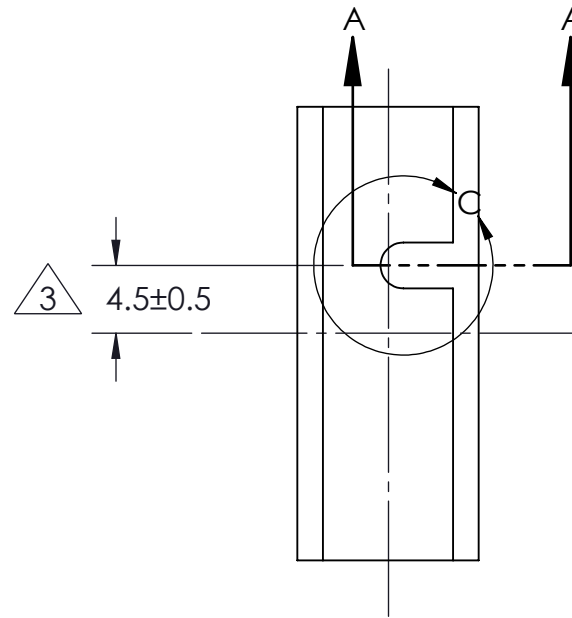
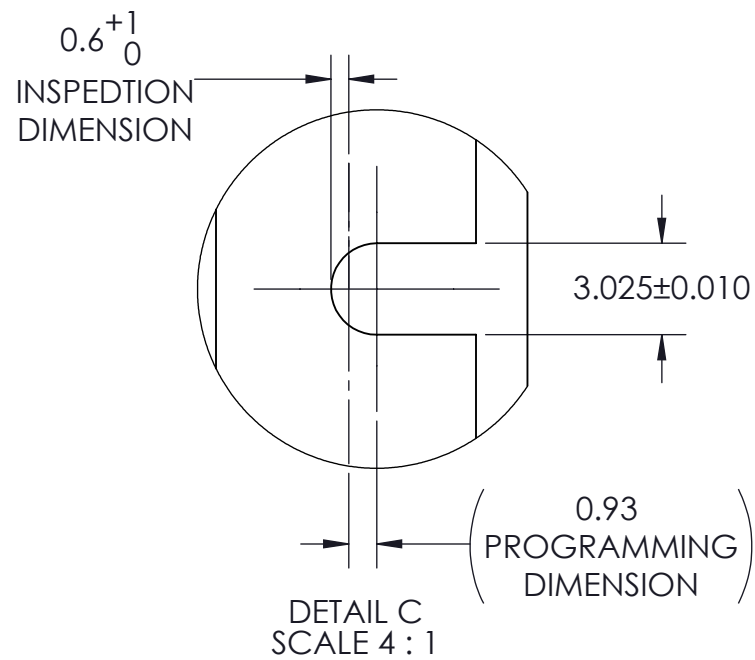
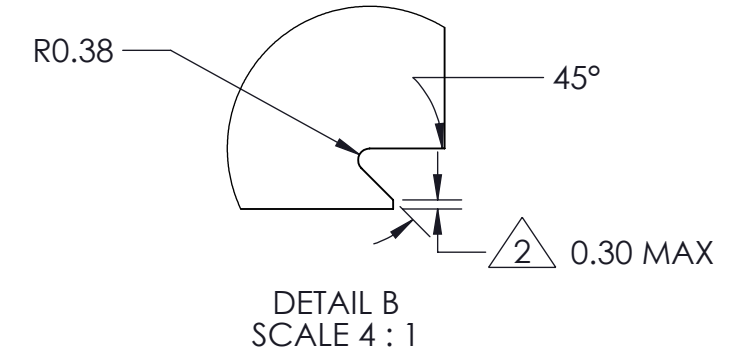
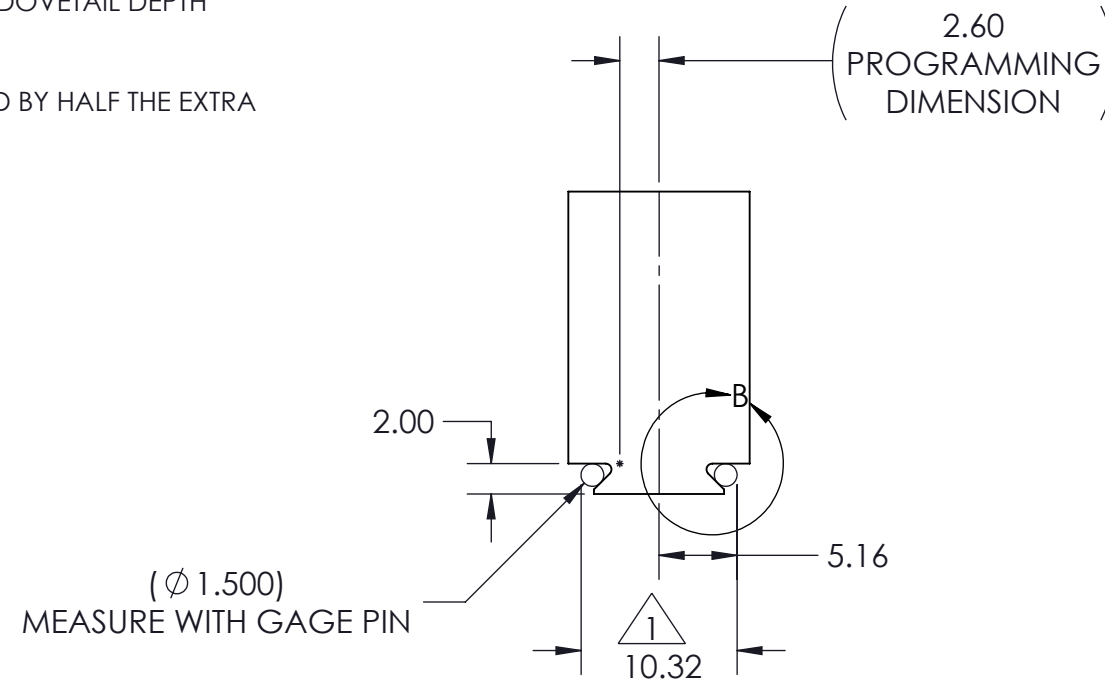


8 8 | 7 7 | 6 6 | 5 5 | 4 4 | 3 3 | 2 2 | 1 1

NOTES:

- 1. DOVETAIL WIDTH WILL NOT CHANGE WITH VARYING DOVETAIL DEPTH
- 2. MACHINE EDGE BREAK ON DOVETAIL POINT
- 3. IF STOCK IS OVERSIZED, THE TOLERANCE IS INCREASED BY HALF THE EXTRA STOCK

DM12 DOVETAIL STOCK PREPARATION



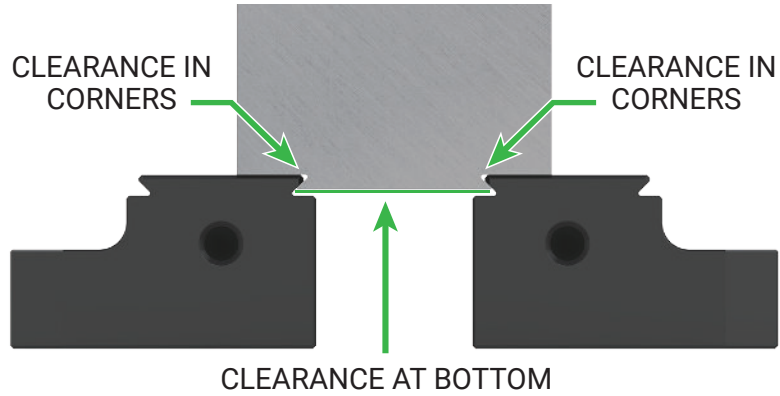
MILLIMETER		TOLERANCES UNLESS OTHERWISE SPECIFIED		5th AXIS	
DRAWN IN ACCORDANCE WITH ASME Y14.5-2009		x ± 0.1 .xx ± 0.01 .x ± 0.05 .xxx ± 0.005 ANGULAR ± 0.5° THIRD ANGLE PROJECTION			
WWW.5THAXIS.COM				DESCRIPTION DM12 DOVETAIL STOCK PREP	
7140 ENGINEER ROAD SAN DIEGO, CA 92111				SIZE B	PART NO. DSP-DM12
P (858) 505-0432 F (858) 505-9344		DO NOT SCALE DRAWING		SCALE 1:1	WEIGHT:
				SHEET 1 OF 1	

8 8 | 7 7 | 6 6 | 5 5 | 4 4 | 3 3 | 2 2 | 1 1

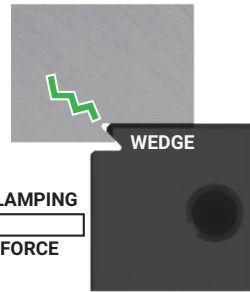


PROPER DOVETAIL

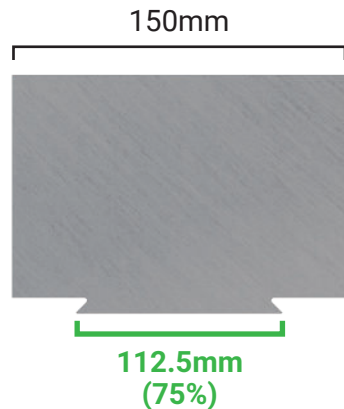
MATERIAL SHOULD REST ON TOP OF THE JAW / FIXTURE AND ON THE 45° FACE.



When a **proper** dovetail is used, jaw/dovetail fixture acts as a **wedge** trying to split the material in the corner.

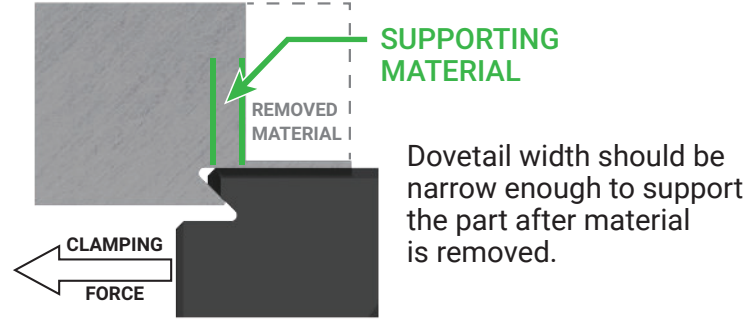


Material is clamped only once or twice and is therefore resistant to fracturing.



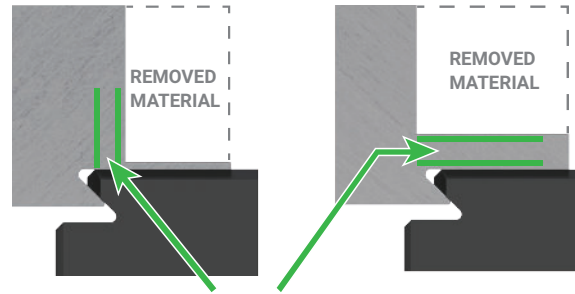
We recommend dovetail width should not be **less than** 75% of the width of the stock.

This is a **general ratio, not a rule.** If in doubt, stick to 75%.



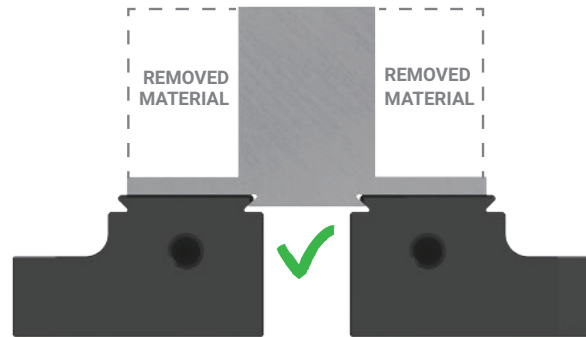
Dovetail width should be narrow enough to support the part after material is removed.

THERE IS NO SIMPLE ANSWER TO HOW MUCH SUPPORT IS NEEDED.



SUPPORTING MATERIAL

If more support is needed, **Decrease dovetail width or increase tab thickness**



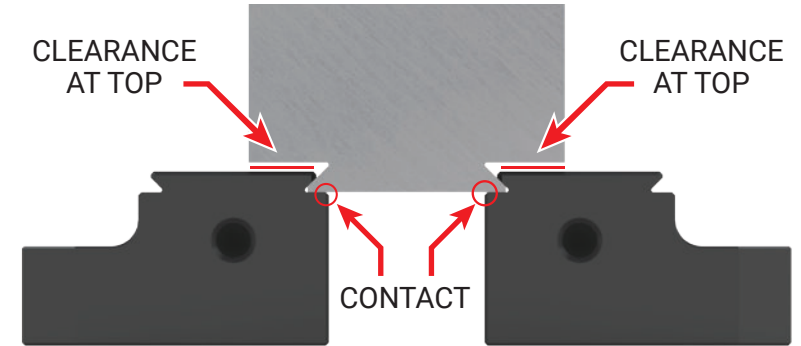
For narrow parts, position the dovetail as close as possible to the **finished part's** center of mass.



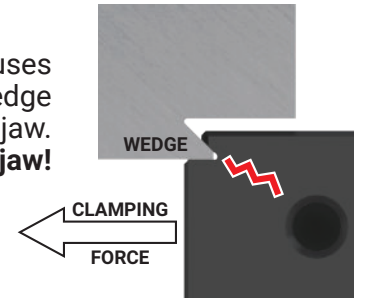
COMMON MISTAKES

1. DOVETAIL TOO DEEP

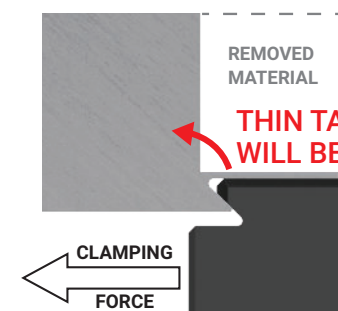
Clamping with a dovetail should **never** cause the material to locate on the bottom step of the jaw.



Locating on bottom step causes material to become a wedge trying to split the jaw. **This can break the jaw!**

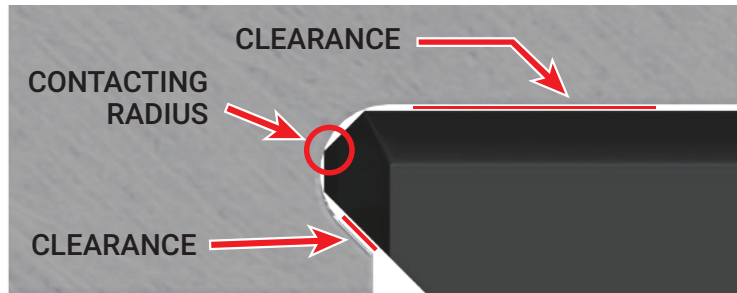


2. FINISHED PART UNSUPPORTED



A thin tab and/or insufficient material on the top locating surface will allow the part to move during machining.

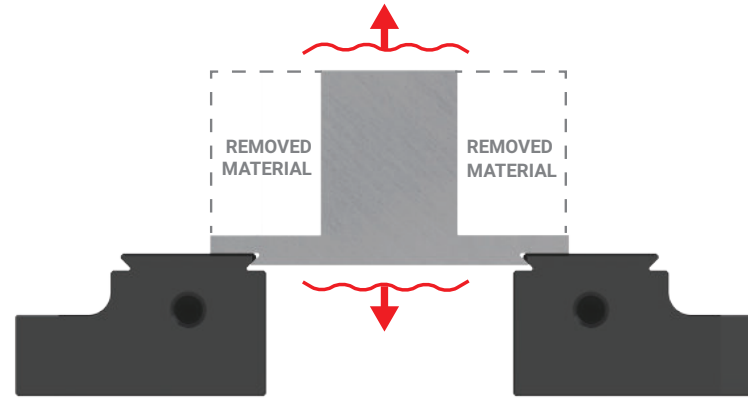
✘ 3. OVERSIZED CORNER RADIUS



An overly wide inside corner radius allows material to contact the corner of the jaw, preventing it from locating correctly.

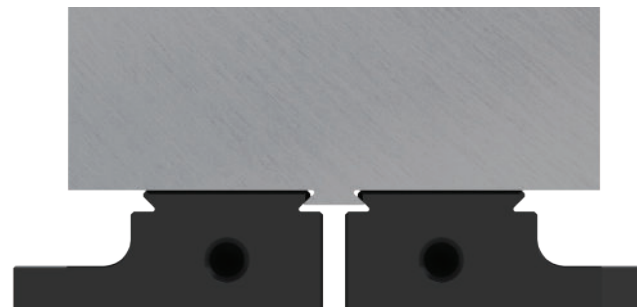
This will call excessive vibration during machining.

✘ 4. EXCESSIVELY WIDE DOVETAIL



Even though this part has tabs thick enough to prevent breaking, the dovetail is not properly positioned under the part. This may result in excessive vertical vibration.

✘ 5. EXCESSIVELY NARROW DOVETAIL



Excessively narrow dovetail will concentrate support at the center of the stock and potentially cause chatter.

Keep in mind how and where force is applied to stock during machining.



DOVETAIL TROUBLESHOOTING GUIDE



The information in this document is applicable to ALL 5th Axis™ products with a dovetail feature.

Both vises **AND** dovetail fixtures should follow these rules.