

8

7

6

5

4

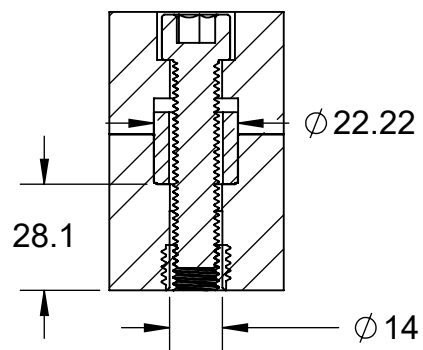
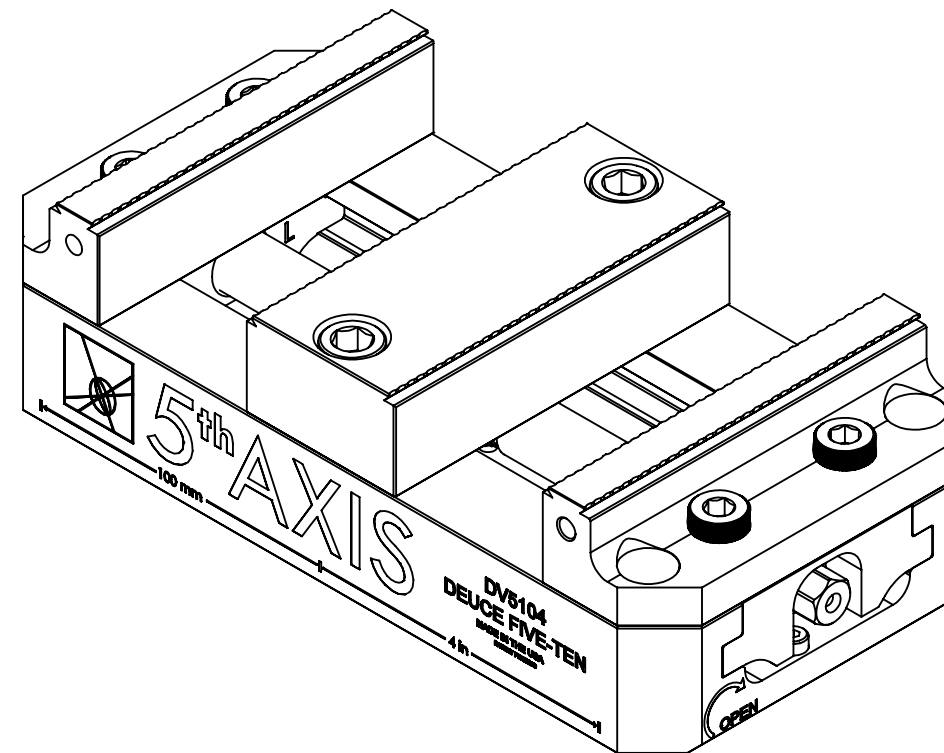
3

2

1

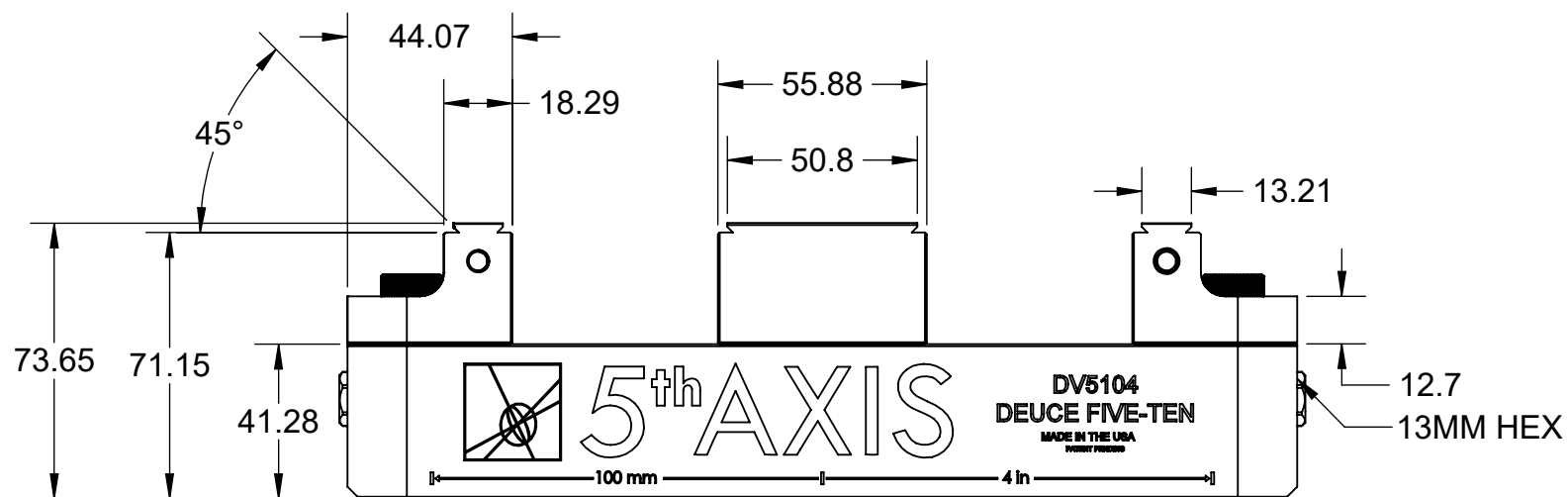
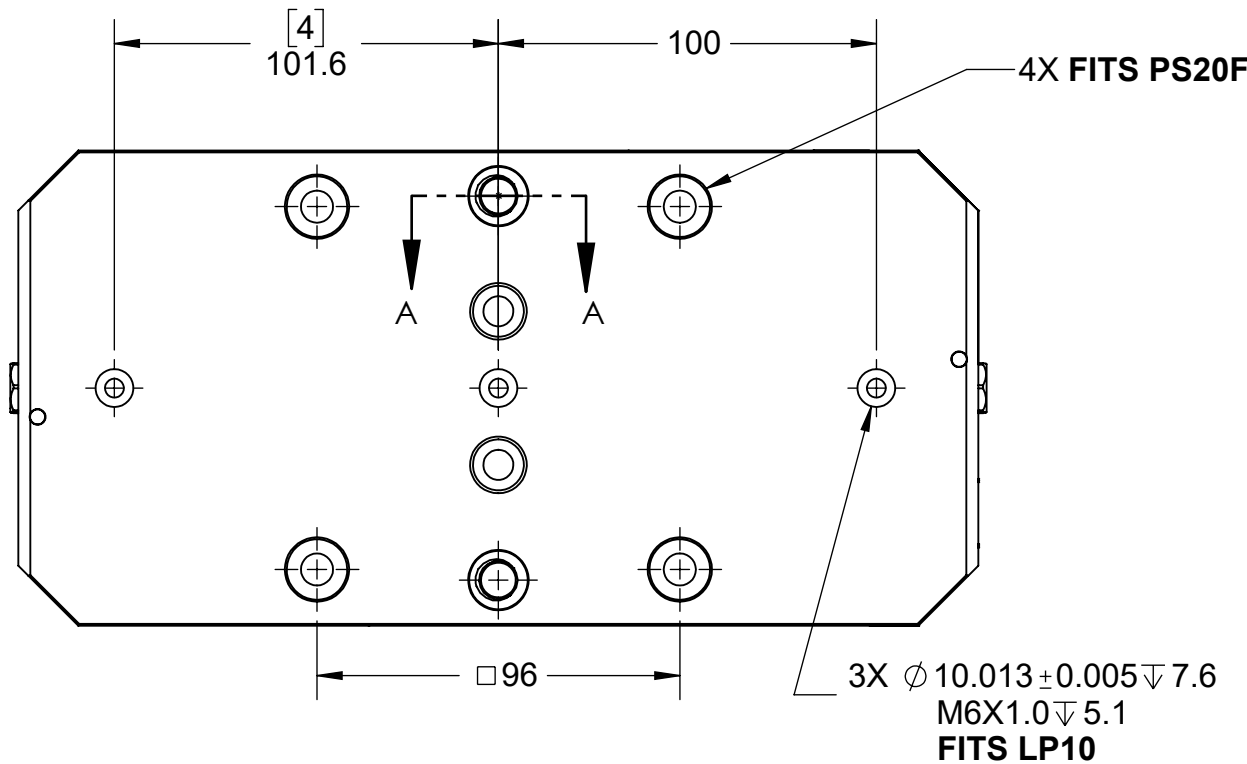
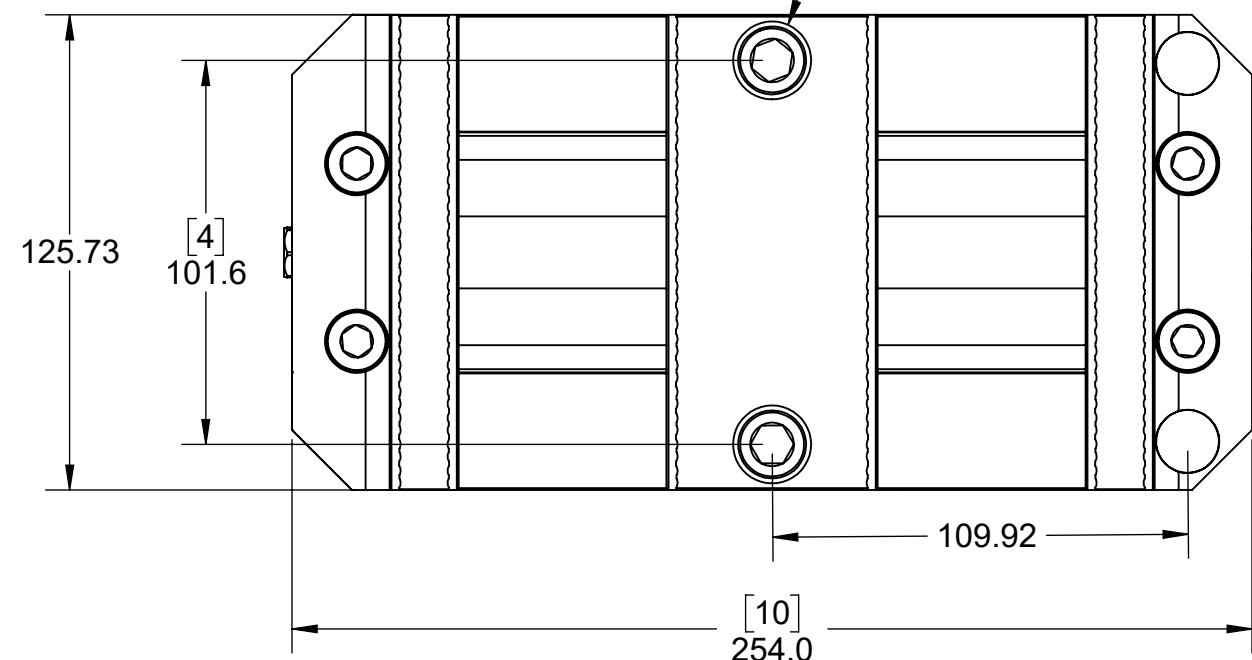
TECHNICAL DATA	DV510-J1
JAW WIDTH	125.73mm
BASE LENGTH	254.0mm
MAXIMUM TORQUE (JAW BOLT)	47 Nm
CLAMPING FORCE	25 kN @ 75 Nm
MAXIMUM TORQUE (LEADSCREW)	75 Nm
MAXIMUM TORQUE (MOUNTING BOLT)	47 Nm
SELF-CENTERING ACCURACY	± 12.7 µm

DV510-J1




SECTION A-A

USE 2X M12 SHCS TO DIRECT MOUNT



12.7
13MM HEX

MILLIMETER			
WWW.5THAXIS.COM 7140 ENGINEER ROAD SAN DIEGO, CA 92111 P (858) 505-0432			
DESCRIPTION		LARGE DOUBLE STATION VISE	
THIRD ANGLE PROJECTION	SIZE B	PART NO. DV510-J1	REV B
DO NOT SCALE DRAWING		SCALE 1:2	WEIGHT:
		SHEET 1 OF 7	

8

7

6

5

4

3

2

1

D

D

C

C

B

B

A

A

8

7

6

5

4

3

2

1

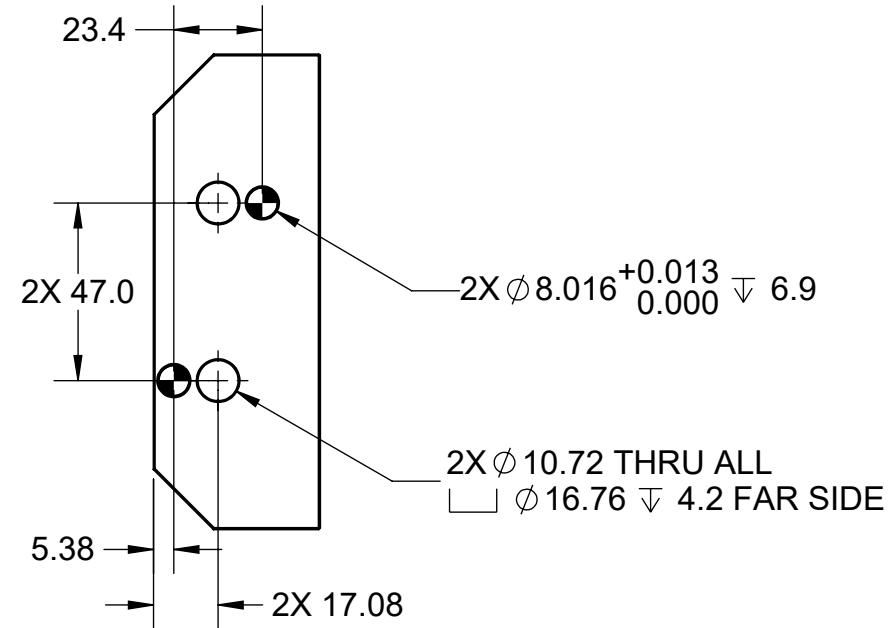
D

D

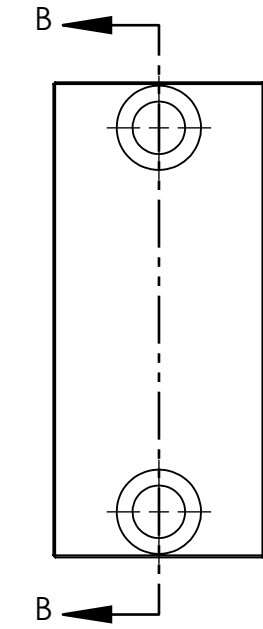
DV510-J1

C

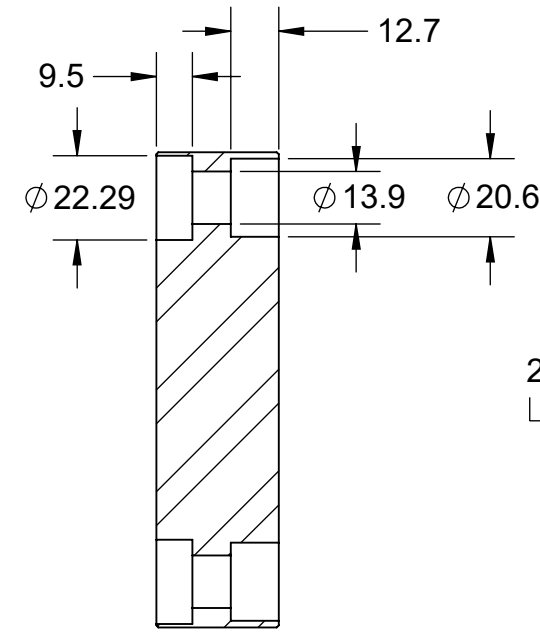
C



JAW MOUNTING

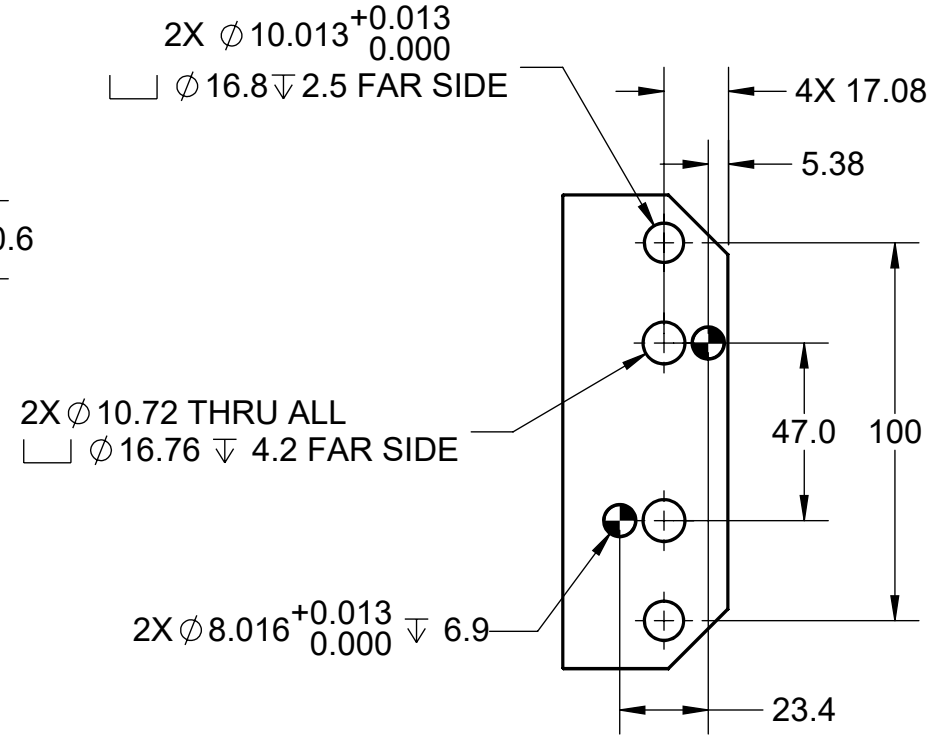


BOTTOM VIEW



SECTION B-B

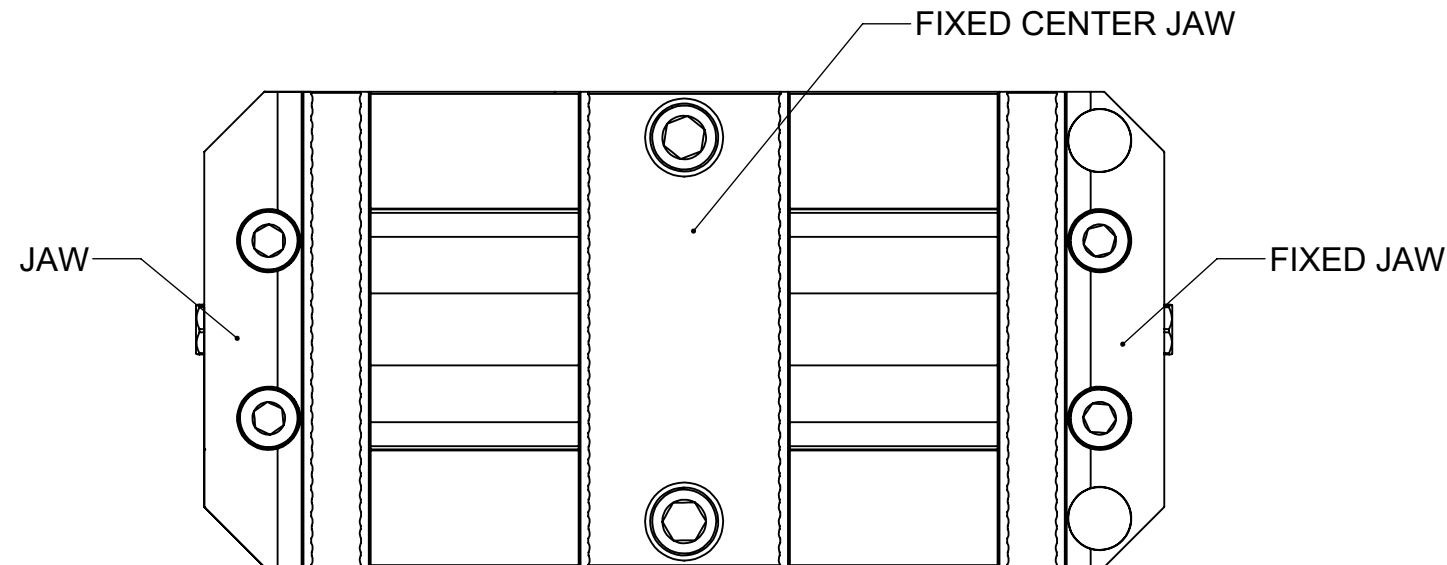
FIXED CENTER JAW MOUNTING



FIXED JAW MOUNTING

B

B



A

A

MILLIMETER				
WWW.5THAXIS.COM 7140 ENGINEER ROAD SAN DIEGO, CA 92111 P (858) 505-0432				
THIRD ANGLE PROJECTION		DESCRIPTION LARGE DOUBLE STATION VISE		
SIZE B	PART NO. DV510-J1	REV B		
DO NOT SCALE DRAWING		SCALE 1:2	WEIGHT:	SHEET 2 OF 7

8

7

6

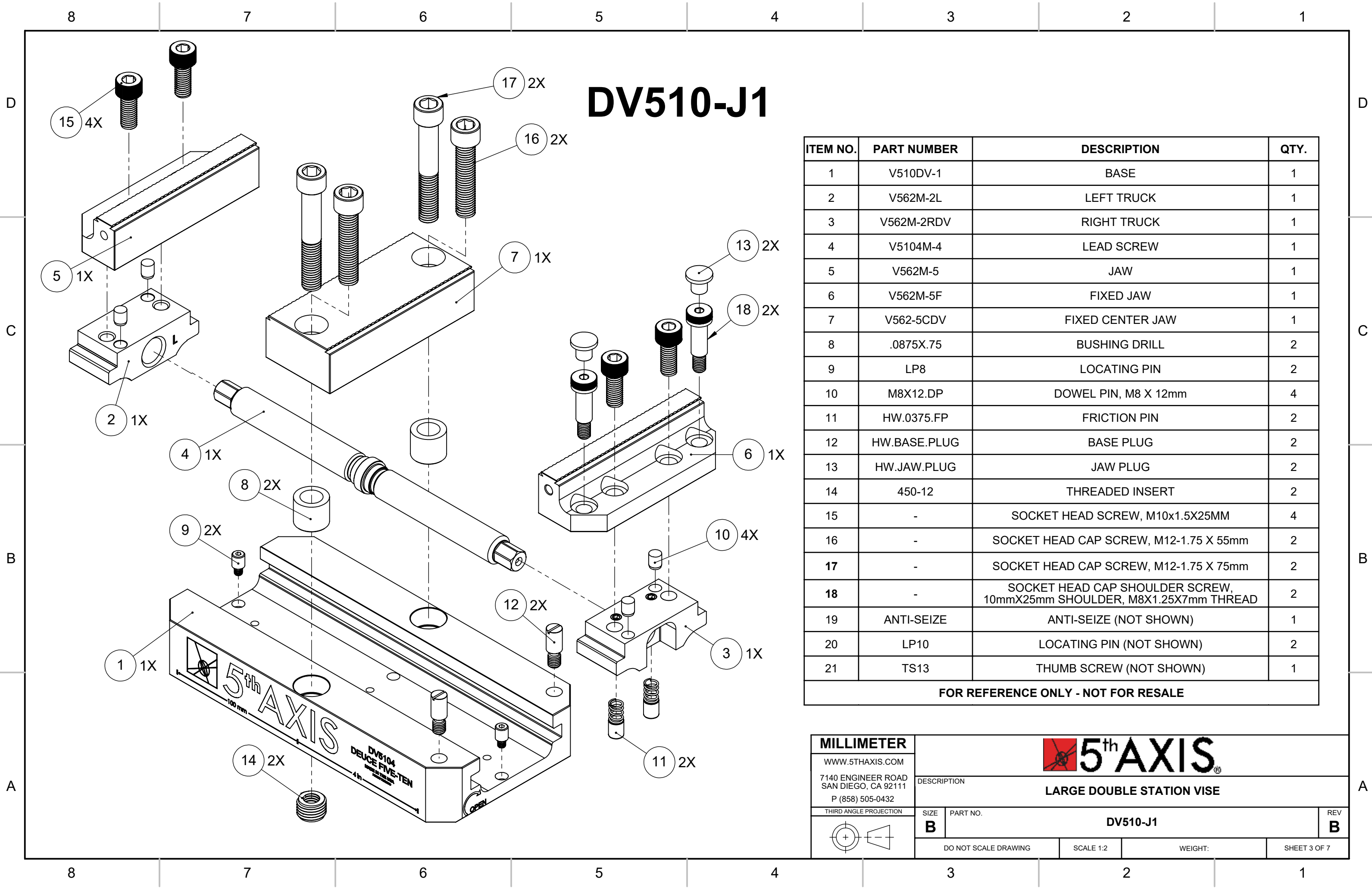
5

4

3

2

1



DV510-J1

ITEM NO.	PART NUMBER	DESCRIPTION	QTY.
1	V510DV-1	BASE	1
2	V562M-2L	LEFT TRUCK	1
3	V562M-2RDV	RIGHT TRUCK	1
4	V5104M-4	LEAD SCREW	1
5	V562M-5	JAW	1
6	V562M-5F	FIXED JAW	1
7	V562-5CDV	FIXED CENTER JAW	1
8	.0875X.75	BUSHING DRILL	2
9	LP8	LOCATING PIN	2
10	M8X12.DP	DOWEL PIN, M8 X 12mm	4
11	HW.0375.FP	FRICITION PIN	2
12	HW.BASE.PLUG	BASE PLUG	2
13	HW.JAW.PLUG	JAW PLUG	2
14	450-12	THREADED INSERT	2
15	-	SOCKET HEAD SCREW, M10x1.5X25MM	4
16	-	SOCKET HEAD CAP SCREW, M12-1.75 X 55mm	2
17	-	SOCKET HEAD CAP SCREW, M12-1.75 X 75mm	2
18	-	SOCKET HEAD CAP SHOULDER SCREW, 10mmX25mm SHOULDER, M8X1.25X7mm THREAD	2
19	ANTI-SEIZE	ANTI-SEIZE (NOT SHOWN)	1
20	LP10	LOCATING PIN (NOT SHOWN)	2
21	TS13	THUMB SCREW (NOT SHOWN)	1

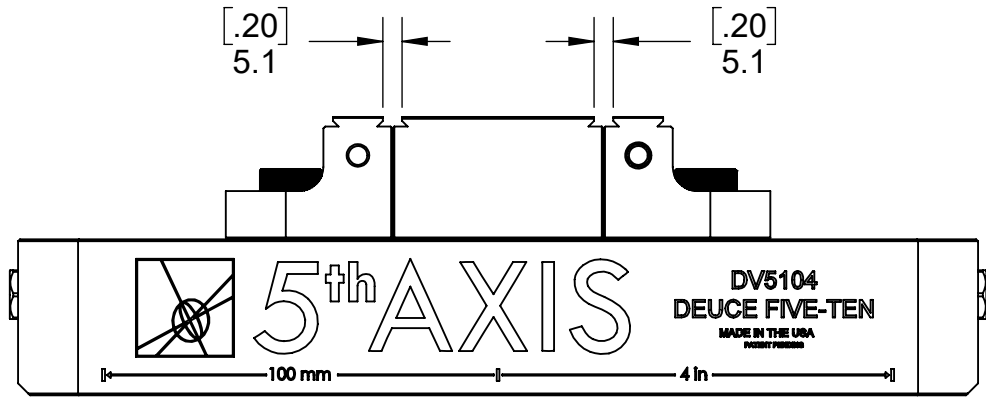
FOR REFERENCE ONLY - NOT FOR RESALE

MILLIMETER
 WWW.5THAXIS.COM
 7140 ENGINEER ROAD
 SAN DIEGO, CA 92111
 P (858) 505-0432

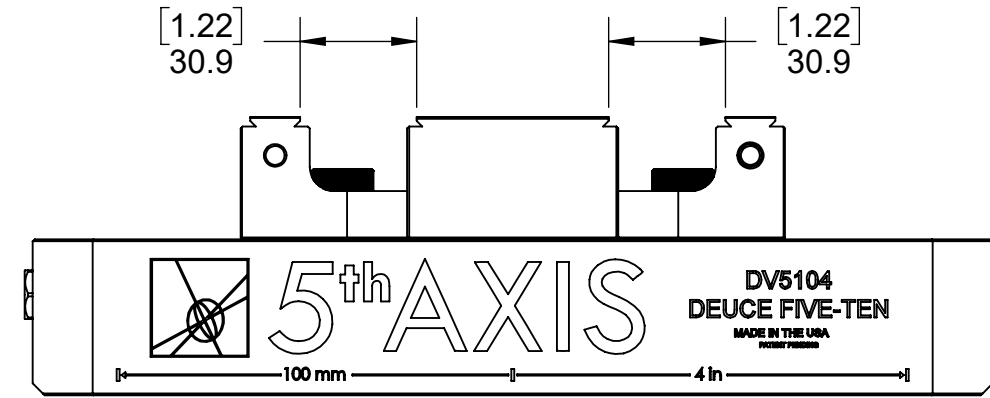


DESCRIPTION		LARGE DOUBLE STATION VISE	
SIZE	PART NO.	REV	
B	DV510-J1	B	
DO NOT SCALE DRAWING	SCALE 1:2	WEIGHT:	SHEET 3 OF 7

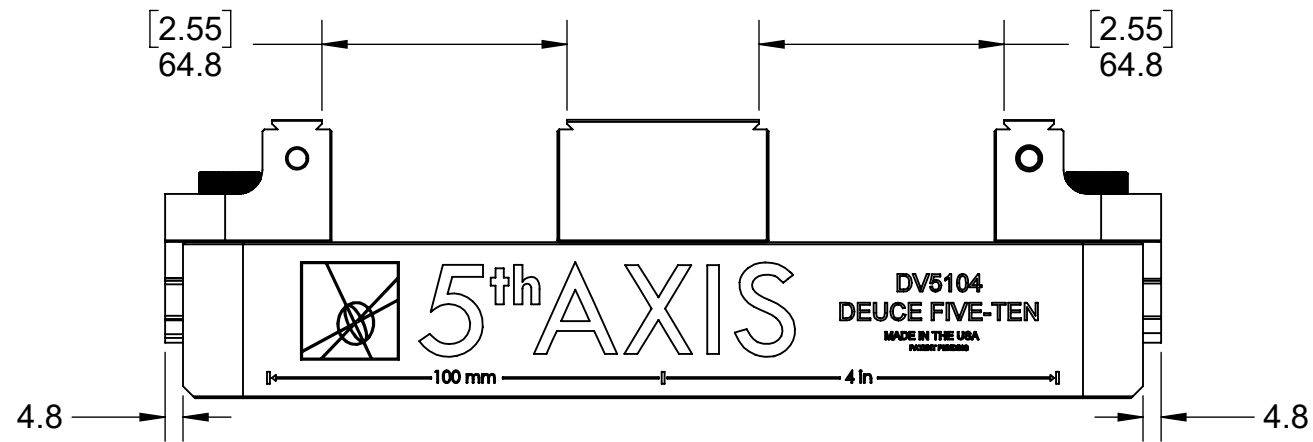
DV510-J1



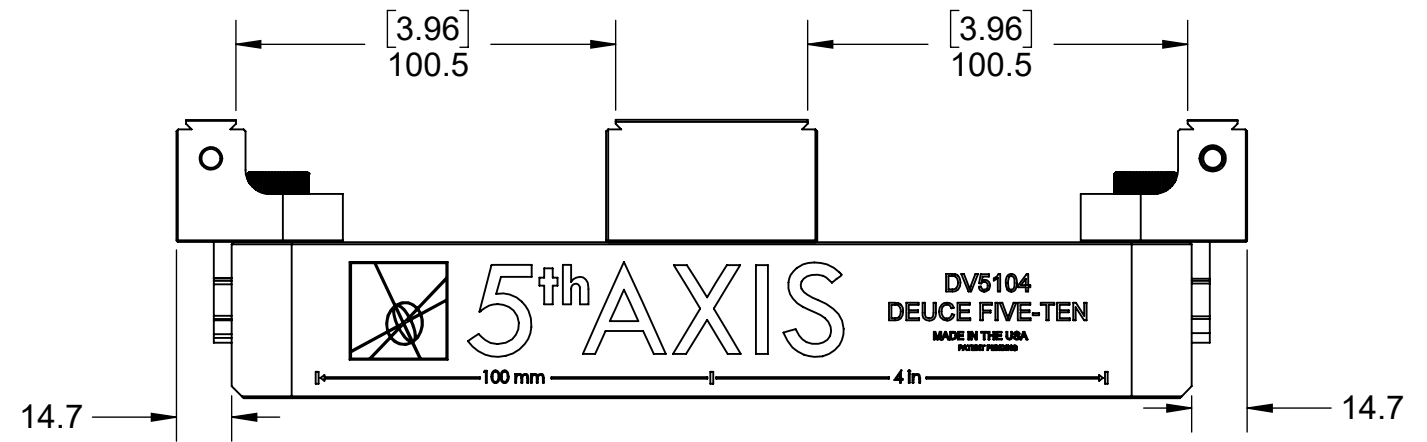
FORWARD JAWS (MINIMUM CLAMPING RANGE)




REVERSE JAWS (MINIMUM CLAMPING RANGE)



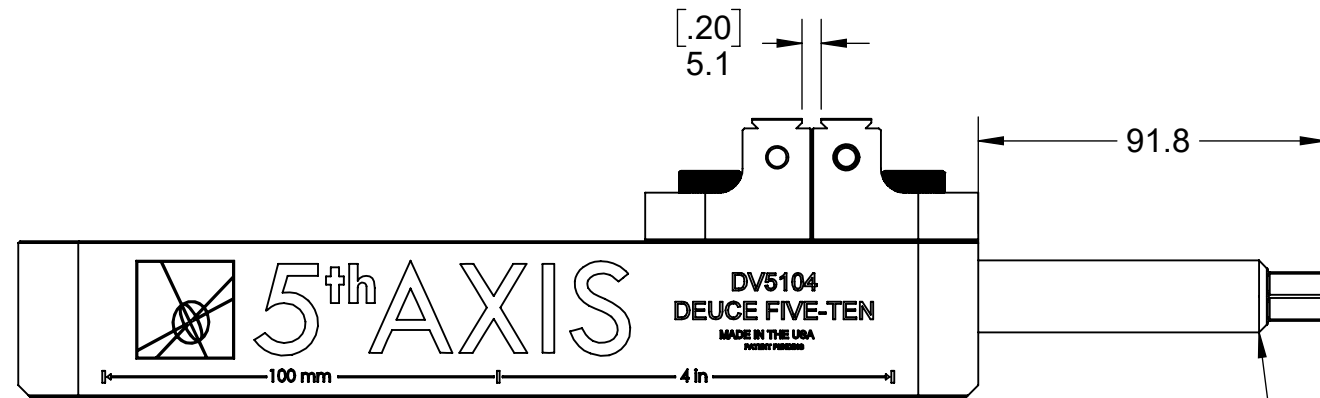
FORWARD JAWS (MAXIMUM CLAMPING RANGE)



REVERSE JAWS (MAXIMUM CLAMPING RANGE)

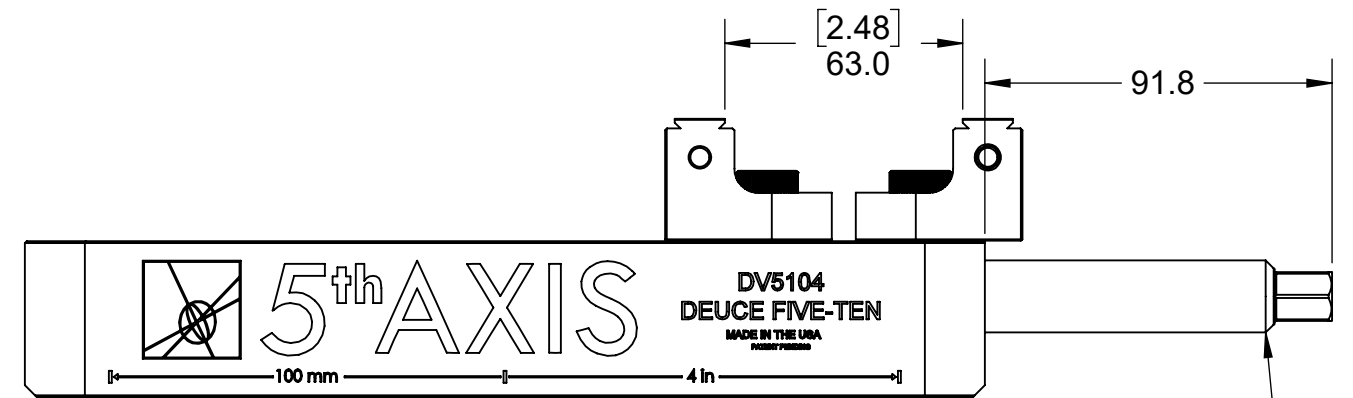
MILLIMETER					
WWW.5THAXIS.COM 7140 ENGINEER ROAD SAN DIEGO, CA 92111 P (858) 505-0432					
THIRD ANGLE PROJECTION		DESCRIPTION	LARGE DOUBLE STATION VISE		
SIZE	PART NO.	REV			
B	DV510-J1	B			
DO NOT SCALE DRAWING		SCALE 1:2	WEIGHT:	SHEET 4 OF 7	

DV510-J1



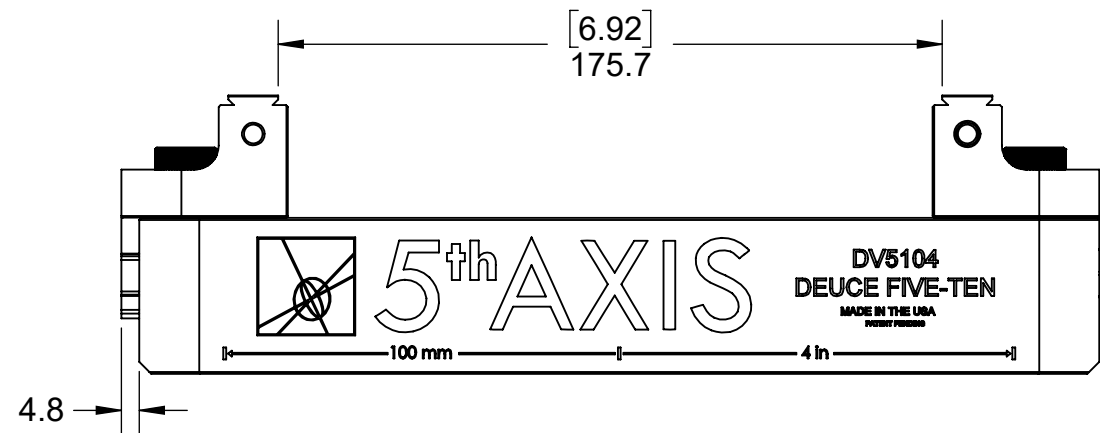
FORWARD JAWS (MINIMUM CLAMPING RANGE)
FIXED JAW CONFIGURATION

NOTE: LEAD SCREW
EXTENDS OUTSIDE
VISE BASE IN FIXED
JAW CONFIGURATION

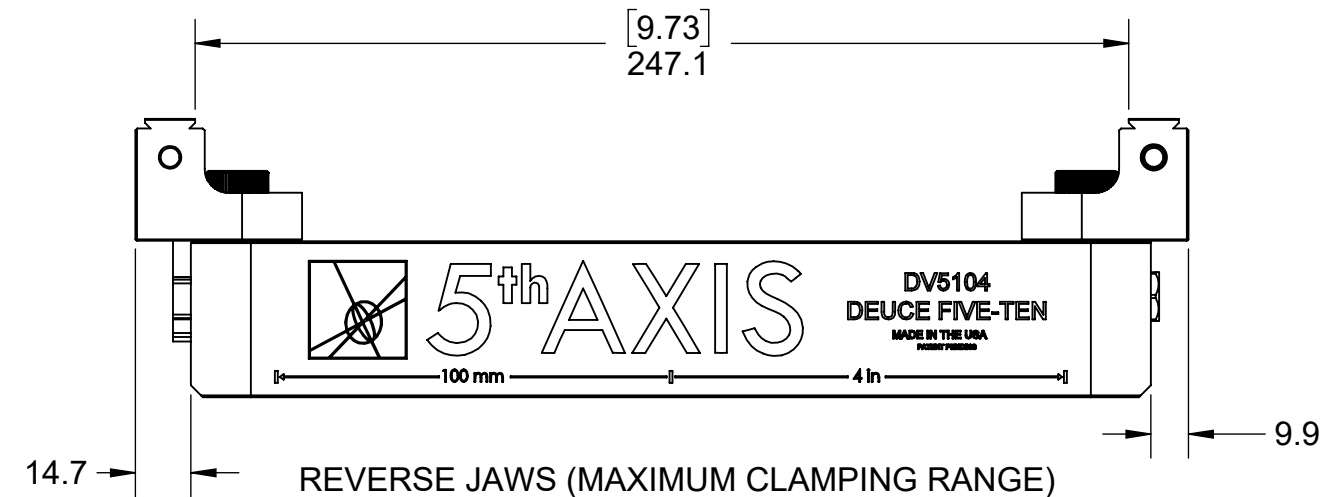


REVERSE JAWS (MINIMUM CLAMPING RANGE)
FIXED JAW CONFIGURATION


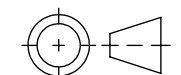
NOTE: LEAD SCREW
EXTENDS OUTSIDE
VISE BASE IN FIXED
JAW CONFIGURATION



FORWARD JAWS (MAXIMUM CLAMPING RANGE)
FIXED JAW CONFIGURATION



REVERSE JAWS (MAXIMUM CLAMPING RANGE)
FIXED JAW CONFIGURATION

MILLIMETER				
WWW.5THAXIS.COM 7140 ENGINEER ROAD SAN DIEGO, CA 92111 P (858) 505-0432				
THIRD ANGLE PROJECTION		SIZE	PART NO.	REV
		B	DV510-J1	B
DO NOT SCALE DRAWING		SCALE 1:2	WEIGHT:	SHEET 5 OF 7

8

7

6

5

4

3

2

1

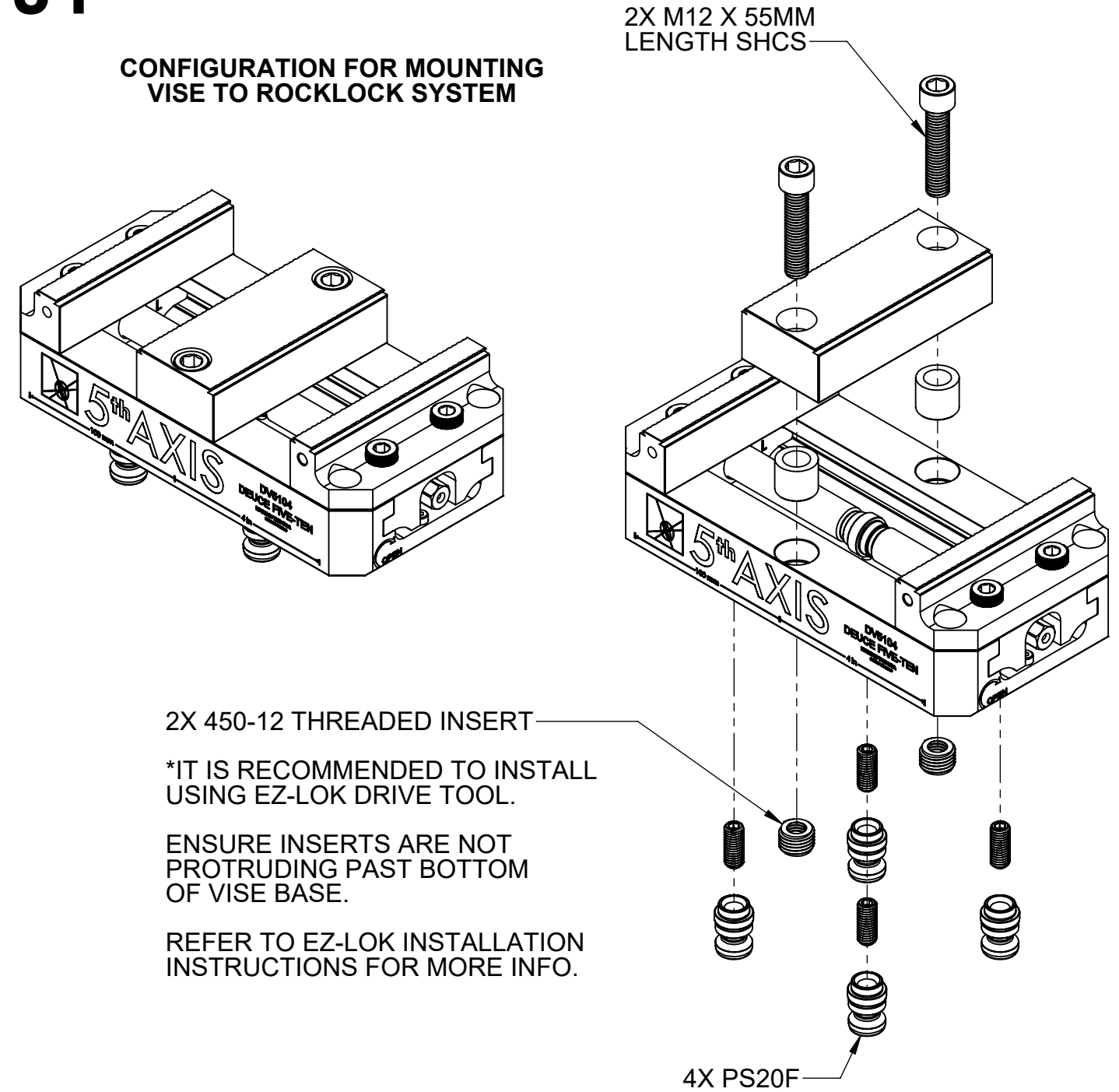
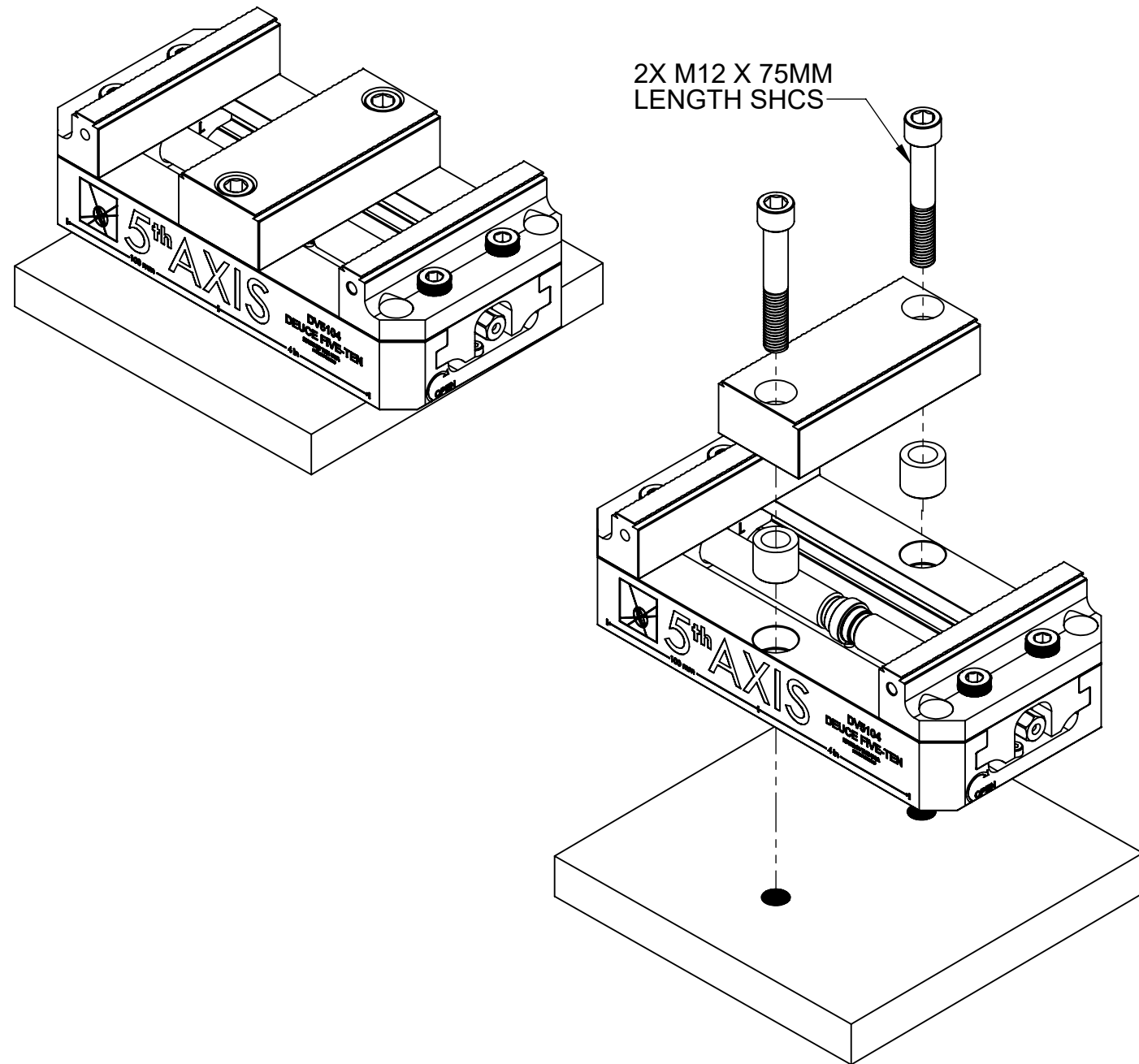
D

D

DV510-J1

CONFIGURATION FOR MOUNTING VISE TO TABLE

CONFIGURATION FOR MOUNTING VISE TO ROCKLOCK SYSTEM



*IT IS RECOMMENDED TO INSTALL USING EZ-LOK DRIVE TOOL.

ENSURE INSERTS ARE NOT PROTRUDING PAST BOTTOM OF VISE BASE.

REFER TO EZ-LOK INSTALLATION INSTRUCTIONS FOR MORE INFO.

C


C

B

B

A

A

MILLIMETER				
WWW.5THAXIS.COM 7140 ENGINEER ROAD SAN DIEGO, CA 92111 P (858) 505-0432				
THIRD ANGLE PROJECTION		DESCRIPTION	LARGE DOUBLE STATION VISE	
SIZE	PART NO.	REV		
B	DV510-J1	B		
DO NOT SCALE DRAWING		SCALE 1:2	WEIGHT:	SHEET 6 OF 7

8

7

6

5

4

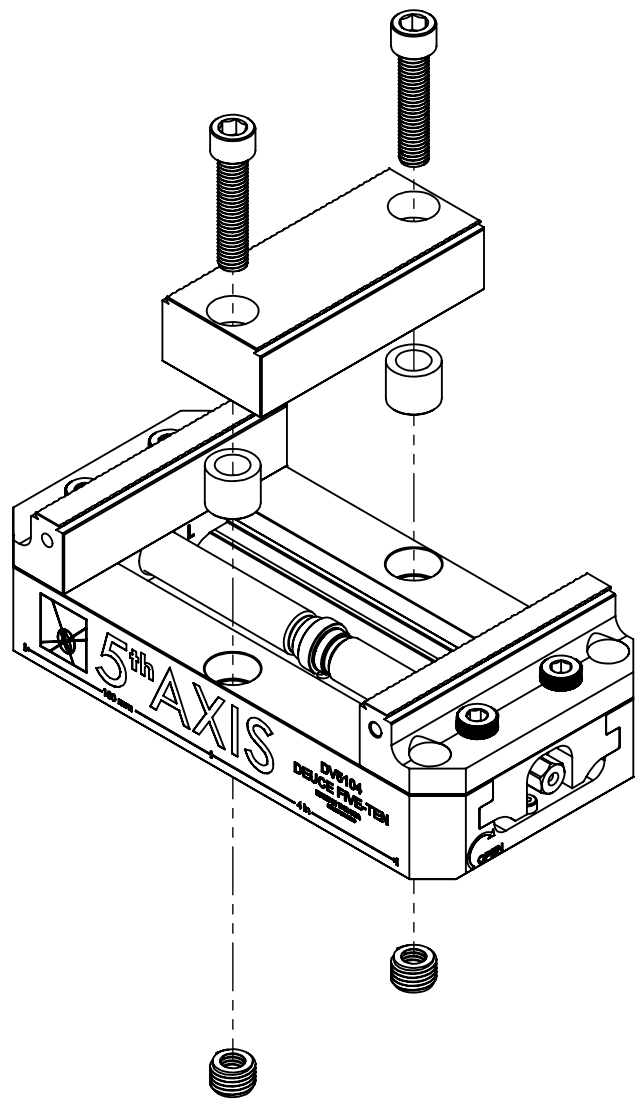
3

2

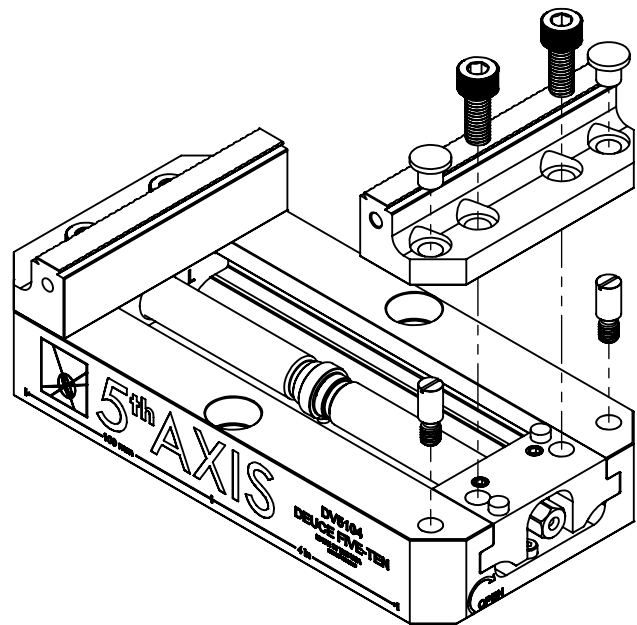
1

DV510-J1

CONVERTING DOUBLE STATION VISE TO FIXED JAW, SINGLE STATION VISE CONFIGURATION

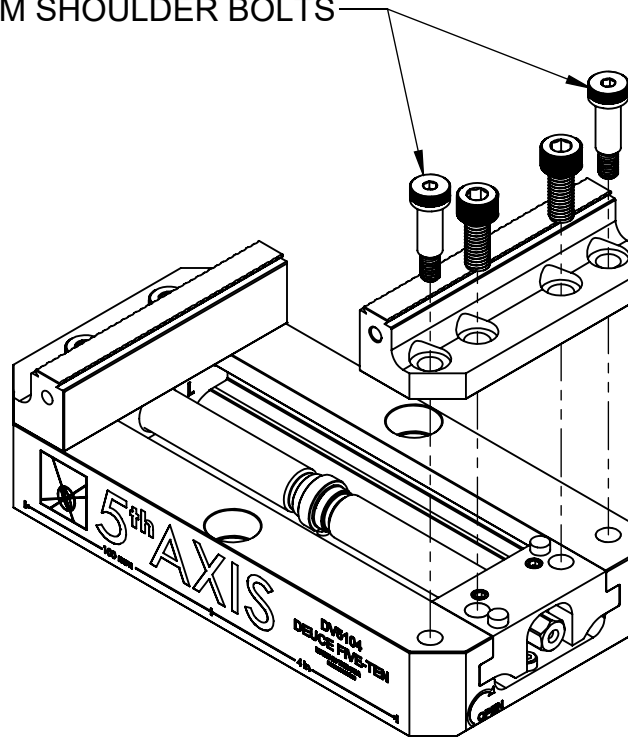


STEP 1:
REMOVE CENTER JAW COMPONENTS

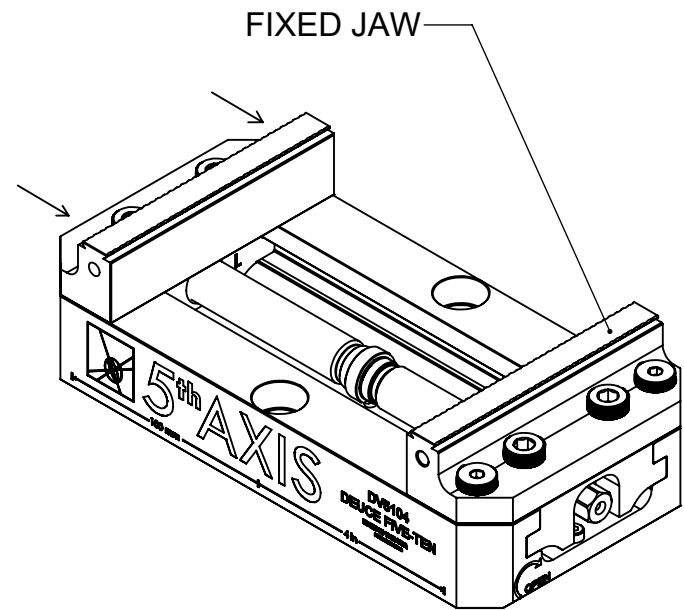


STEP 2:
REMOVE RIGHT JAW, JAW PLUGS
AND BASE PLUGS


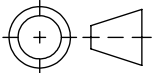
2X 10MM SHOULDER BOLTS



STEP 3:
REATTACH RIGHT JAW INTO RIGHT
TRUCK AND BASE USING 2x SHCS
AND 2x SHOULDER BOLTS



STEP 4:
FIXED JAW CONFIGURATION COMPLETE
(RIGHT JAW FIXED AND LEFT JAW MOVES)

MILLIMETER				
WWW.5THAXIS.COM 7140 ENGINEER ROAD SAN DIEGO, CA 92111 P (858) 505-0432				
THIRD ANGLE PROJECTION		SIZE	PART NO.	REV
		B	DV510-J1	B
DO NOT SCALE DRAWING		SCALE 1:3	WEIGHT:	SHEET 7 OF 7