

8

7

6

5

4

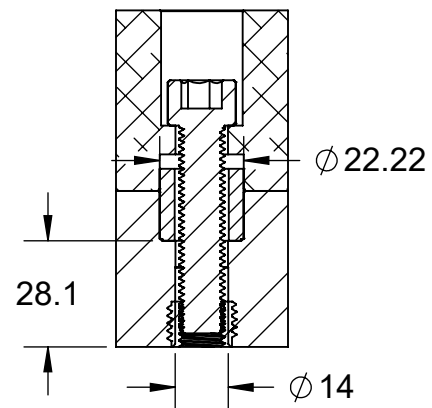
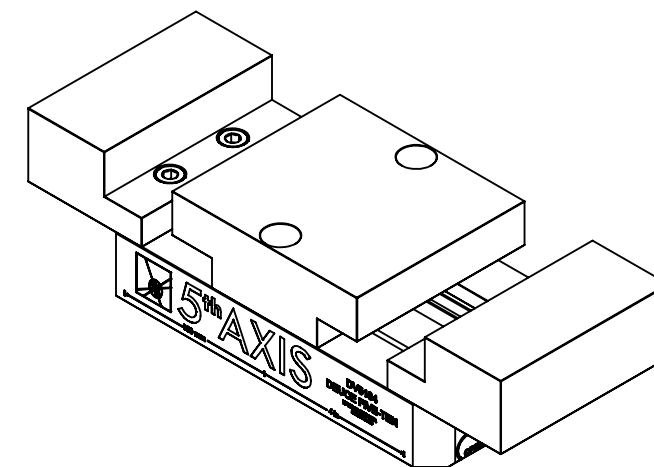
3

2

1

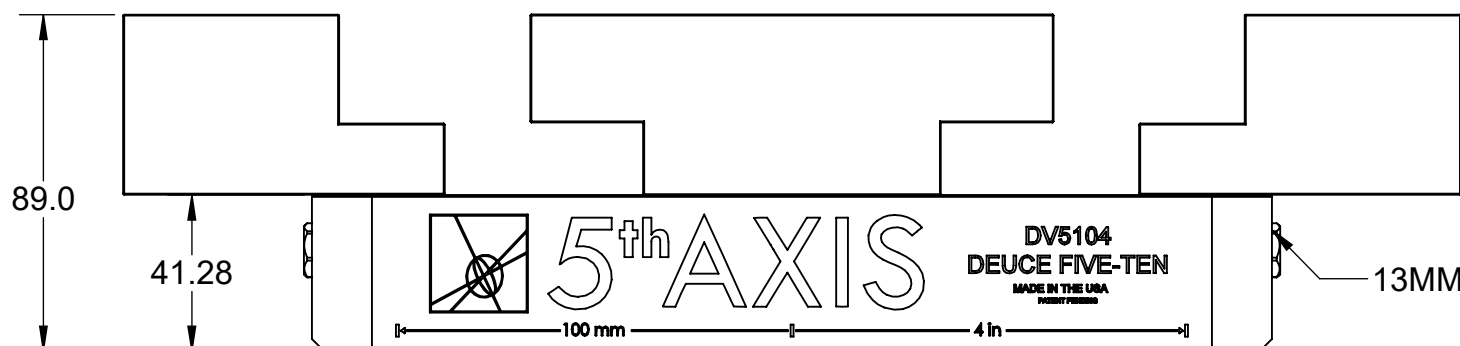
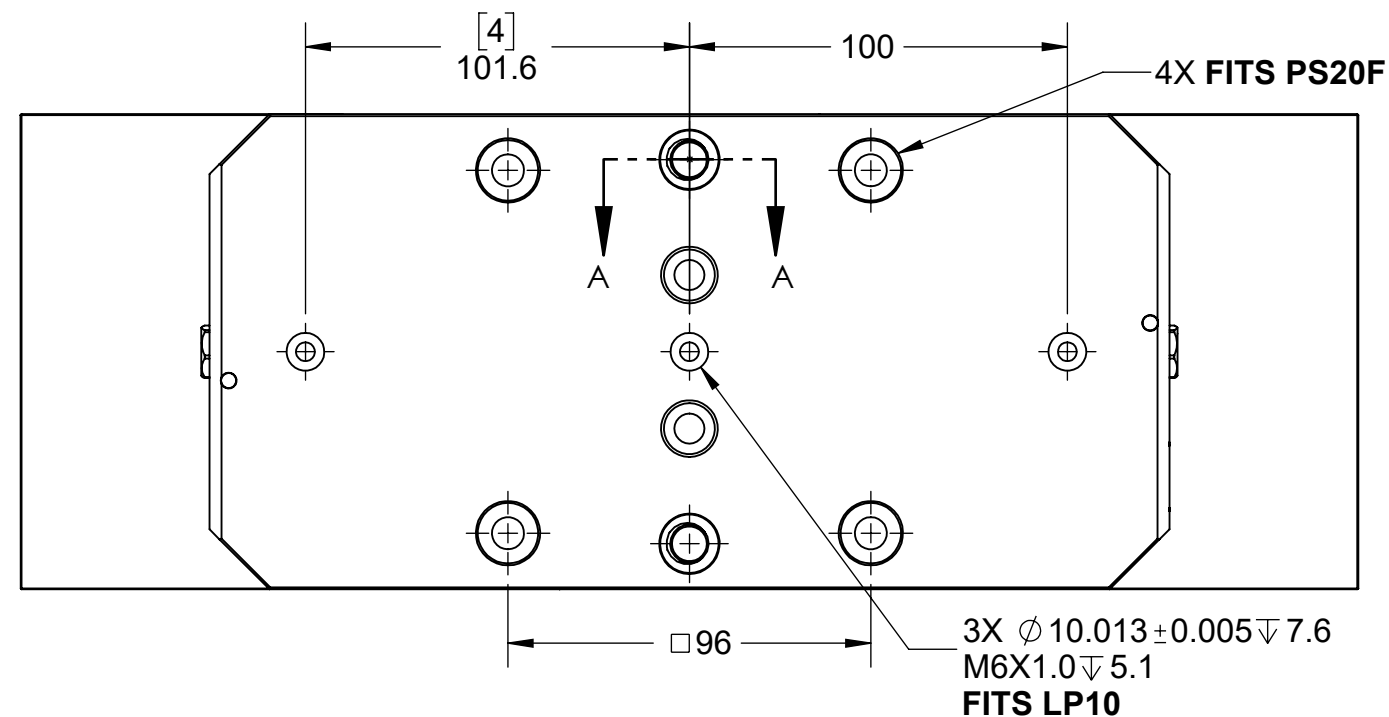
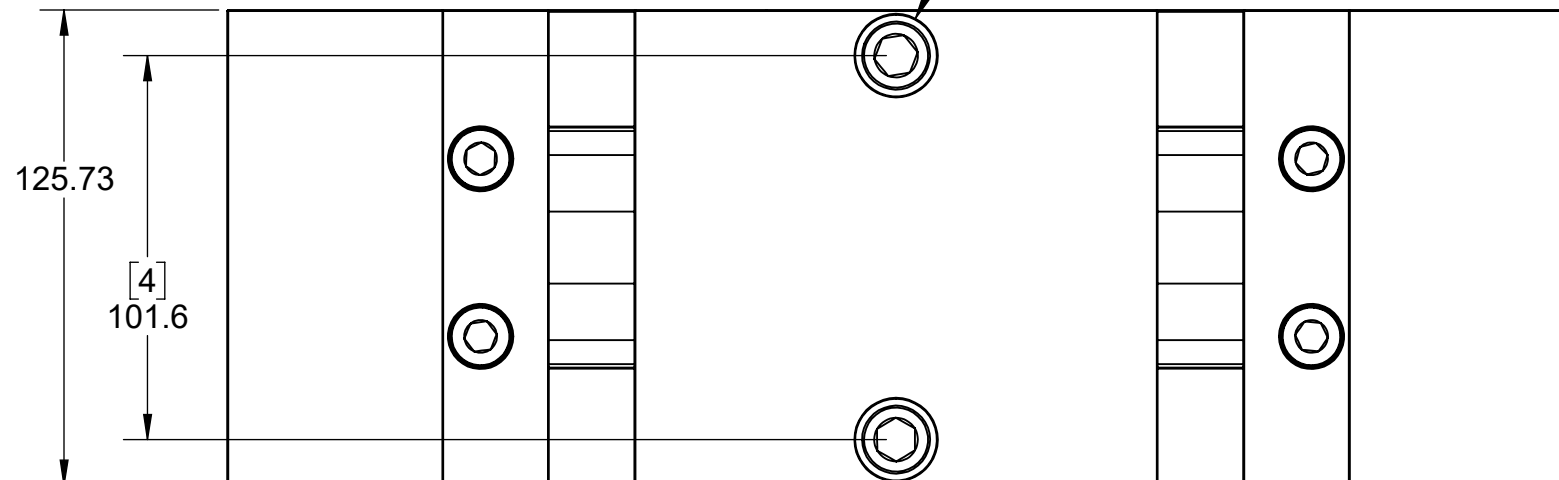
TECHNICAL DATA	DV510-J2
JAW WIDTH	125.73mm
BASE LENGTH	254.0mm
MAXIMUM TORQUE (JAW BOLT)	47 Nm
CLAMPING FORCE	25 kN @ 75 Nm
MAXIMUM TORQUE (LEADSCREW)	75 Nm
MAXIMUM TORQUE (MOUNTING BOLT)	47 Nm
SELF-CENTERING ACCURACY	± 12.7 μm

# DV510-J2



SECTION A-A

USE 2X M12 SHCS TO DIRECT MOUNT



13MM HEX

<b>MILLIMETER</b>			
WWW.5THAXIS.COM			
7140 ENGINEER ROAD SAN DIEGO, CA 92111 P (858) 505-0432		DESCRIPTION <b>LARGE DOUBLE STATION VISE WITH ALUMINUM SOFT JAWS</b>	
THIRD ANGLE PROJECTION	SIZE <b>B</b>	PART NO. <b>DV510-J2</b>	REV <b>B</b>
DO NOT SCALE DRAWING		SCALE 1:2	WEIGHT:
		SHEET 1 OF 4	

8

7

6

5

4

3

2

1

D

D

C

C

B

B

A

A

8 7 6 5 4 3 2 1

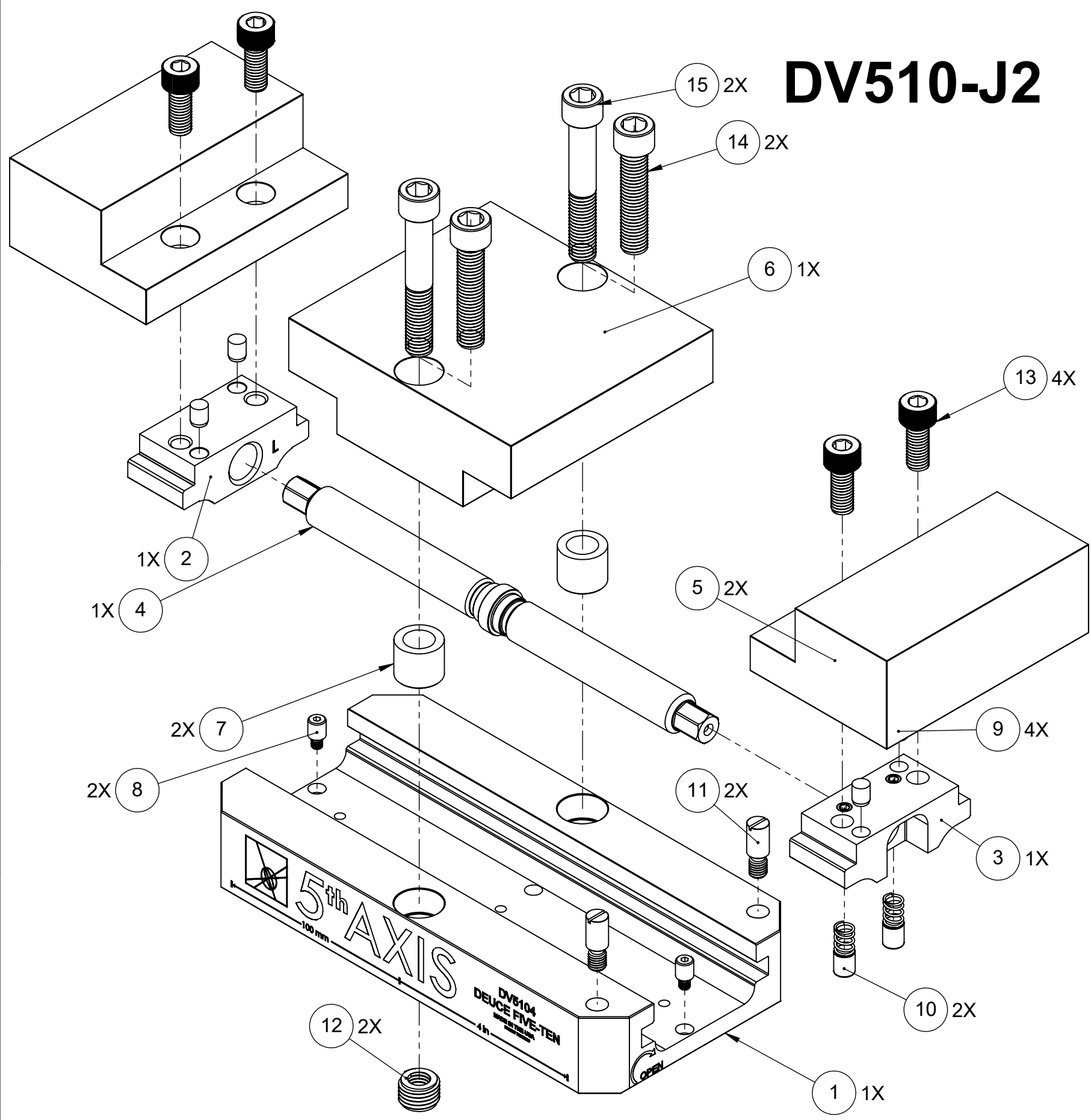
D D

C C

B B

A A

# DV510-J2



ITEM NO.	PART NUMBER	DESCRIPTION	QTY.
1	V510DV-1	BASE	1
2	V562M-2L	LEFT TRUCK	1
3	V562M-2RDV	RIGHT TRUCK	1
4	D_V5104M-4	LEAD SCREW	1
5	VAJ-DV510-M	SOFT JAW, DV510, MOVABLE, ALUMINUM	2
6	V562-5CDV	SOFT JAW, DV510, FIXED, ALUMINUM	1
7	.0875X.75	BUSHING DRILL	2
8	LP8	LOCATING PIN	2
9	M8X12.DP	DOWEL PIN, M8 X 12mm	4
10	HW.0375.FP	FRICTION PIN	2
11	HW.BASE.PLUG	BASE PLUG	2
12	450-12	THREADED INSERT	2
13	-	SOCKET HEAD SCREW, M10x1.5X25MM	4
14	-	SOCKET HEAD CAP SCREW, M12-1.75 X 55mm	2
15	-	SOCKET HEAD CAP SCREW, M12-1.75 X 75mm	2
16	ANTI-SEIZE	ANTI-SEIZE (NOT SHOWN)	1
17	LP10	LOCATING PIN (NOT SHOWN)	2
18	TS13	THUMB SCREW (NOT SHOWN)	1

**FOR REFERENCE ONLY - NOT FOR RESALE**

<b>MILLIMETER</b> WWW.5THAXIS.COM 7140 ENGINEER ROAD SAN DIEGO, CA 92111 P (858) 505-0432			
	DESCRIPTION <b>LARGE DOUBLE STATION VISE WITH ALUMINUM SOFT JAWS</b>		
THIRD ANGLE PROJECTION 	SIZE <b>B</b>	PART NO. <b>DV510-J2</b>	REV <b>B</b>
DO NOT SCALE DRAWING		SCALE 1:2	WEIGHT:
			SHEET 2 OF 4

8 7 6 5 4 3 2 1

8

7

6

5

4

3

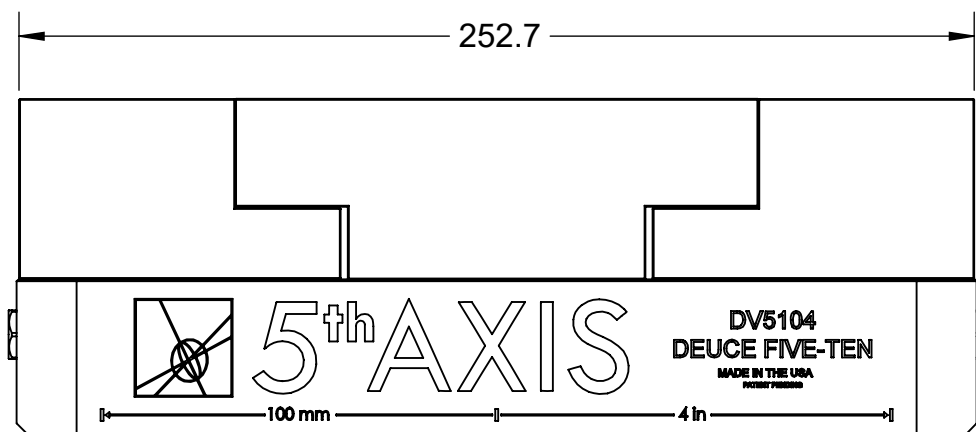
2

1

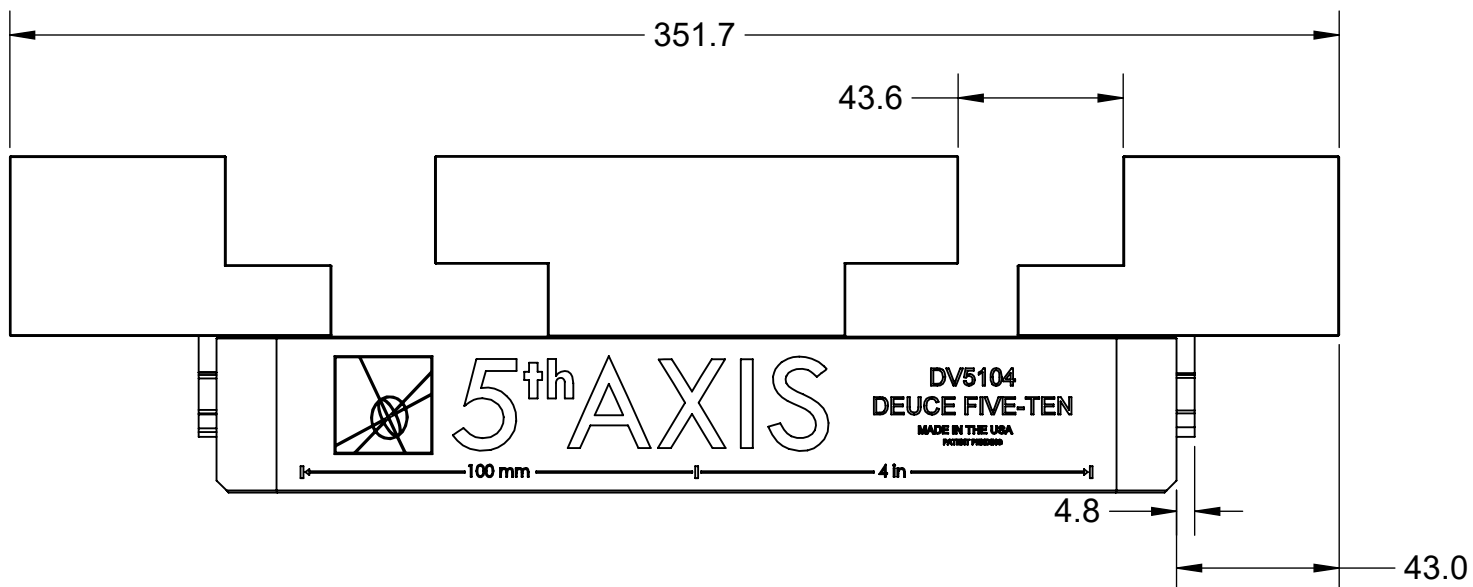
D

D

# DV510-J2



JAWS FULLY CLOSED



JAWS FULLY OPENED

C

C

B

B

A

A

8

7

6


5

4

3

2

1

<b>MILLIMETER</b>			
WWW.5THAXIS.COM 7140 ENGINEER ROAD SAN DIEGO, CA 92111 P (858) 505-0432			
THIRD ANGLE PROJECTION		DESCRIPTION <b>LARGE DOUBLE STATION VISE WITH ALUMINUM SOFT JAWS</b>	
SIZE	PART NO.	REV	
<b>B</b>	<b>DV510-J2</b>	<b>B</b>	
DO NOT SCALE DRAWING		SCALE 1:2	WEIGHT:
		SHEET 3 OF 4	

8

7

6

5

4

3

2

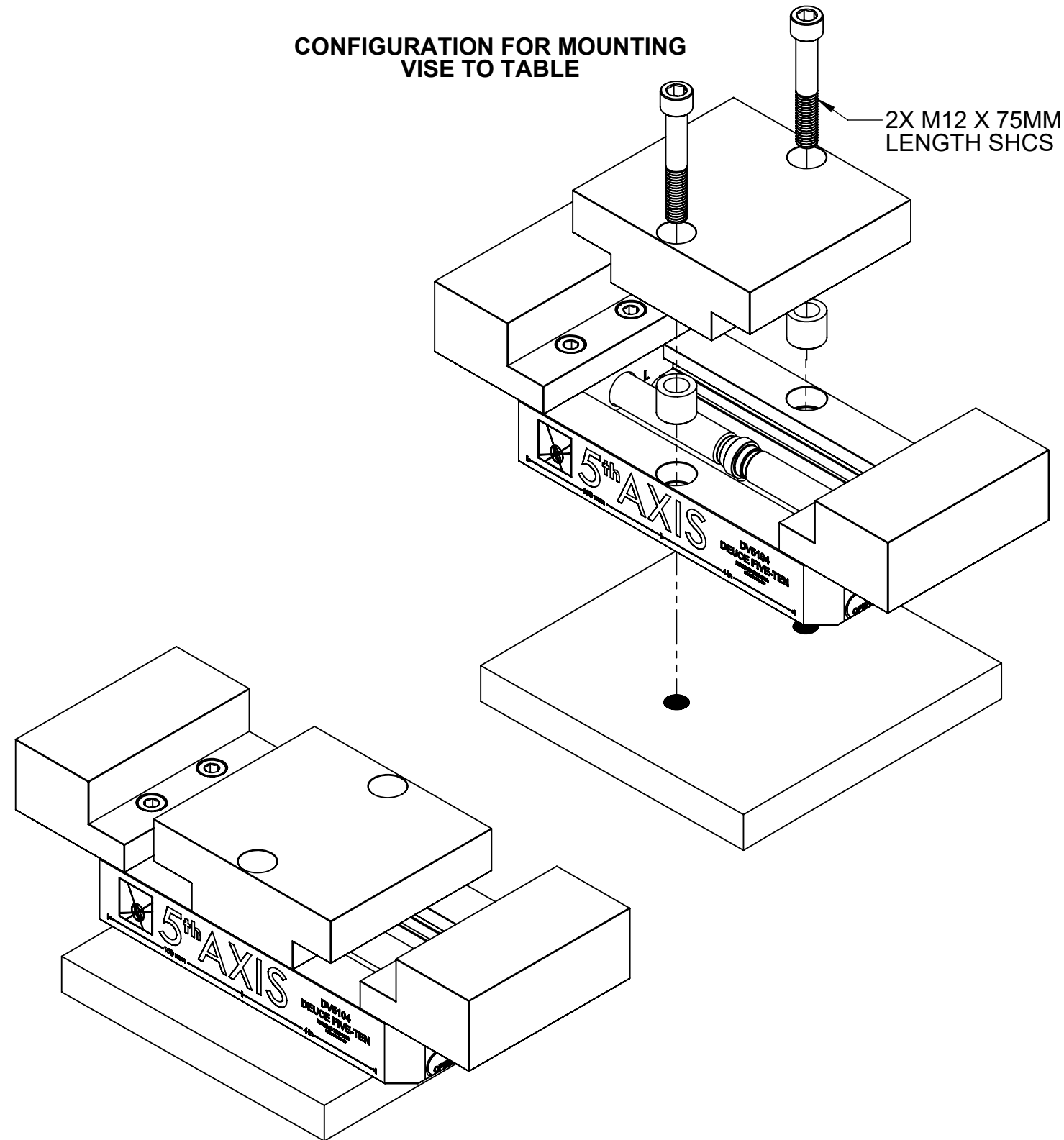
1

D

D

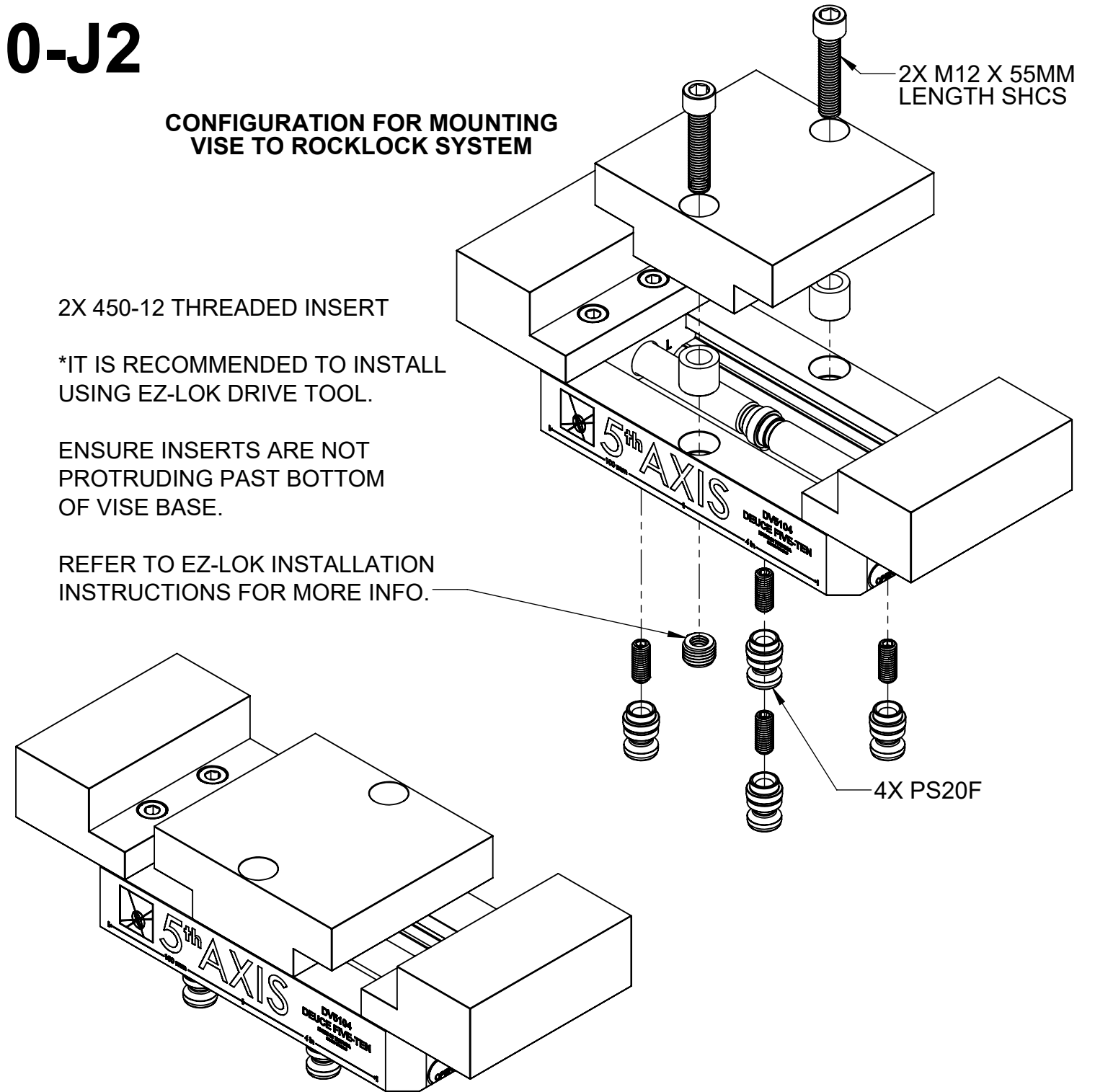
# DV510-J2

## CONFIGURATION FOR MOUNTING VISE TO TABLE



2X M12 X 75MM LENGTH SHCS

## CONFIGURATION FOR MOUNTING VISE TO ROCKLOCK SYSTEM



2X M12 X 55MM LENGTH SHCS

2X 450-12 THREADED INSERT

\*IT IS RECOMMENDED TO INSTALL USING EZ-LOK DRIVE TOOL.

ENSURE INSERTS ARE NOT PROTRUDING PAST BOTTOM OF VISE BASE.

REFER TO EZ-LOK INSTALLATION INSTRUCTIONS FOR MORE INFO.

4X PS20F

C

C

B

B

A

A

8

7

6

5

4

3

2

1

<b>MILLIMETER</b>			
WWW.5THAXIS.COM			
7140 ENGINEER ROAD SAN DIEGO, CA 92111 P (858) 505-0432		DESCRIPTION <b>LARGE DOUBLE STATION VISE WITH ALUMINUM SOFT JAWS</b>	
THIRD ANGLE PROJECTION	SIZE <b>B</b>	PART NO. <b>DV510-J2</b>	REV <b>B</b>
DO NOT SCALE DRAWING		SCALE 1:2	WEIGHT:
		SHEET 4 OF 4	

