

8

7

6

5

4

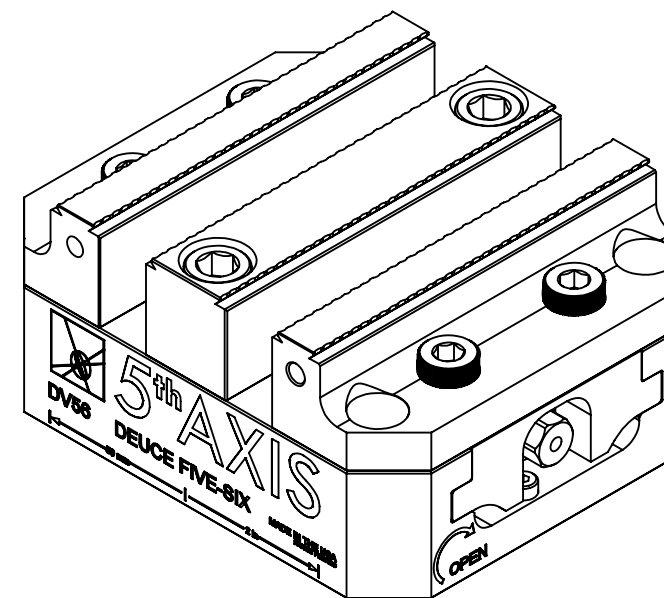
3

2

1

TECHNICAL DATA	DV56-J1
JAW WIDTH	125.73mm
BASE LENGTH	152.4mm
MAXIMUM TORQUE (JAW BOLT)	47 Nm
CLAMPING FORCE	25 kN @ 75 Nm
MAXIMUM TORQUE (LEADSCREW)	75 Nm
MAXIMUM TORQUE (MOUNTING BOLT)	47 Nm
SELF-CENTERING ACCURACY	± 12.7 μm

DV56-J1



D

D

C

C

B

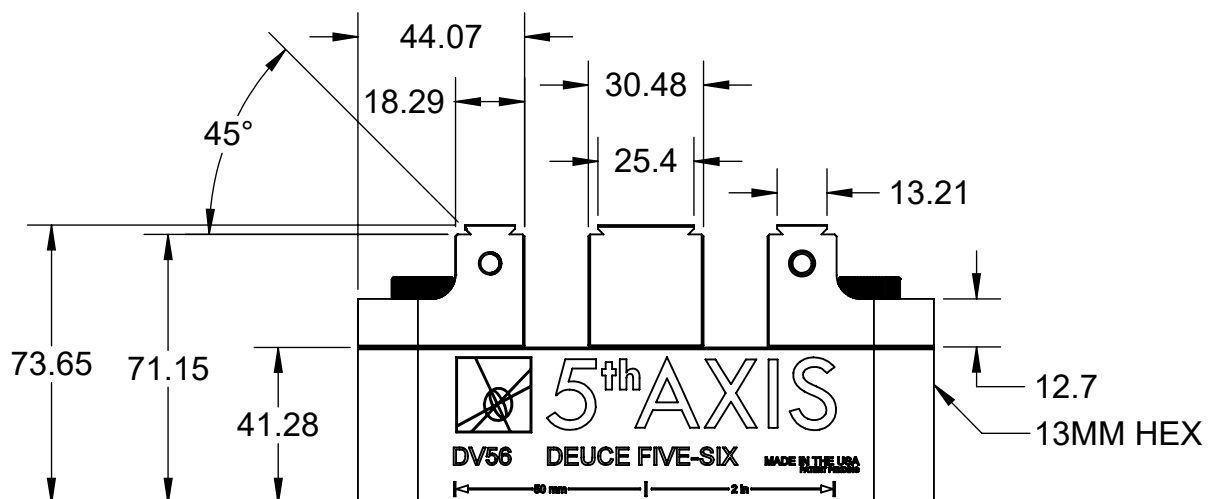
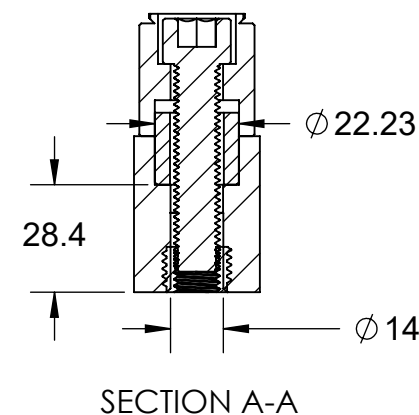
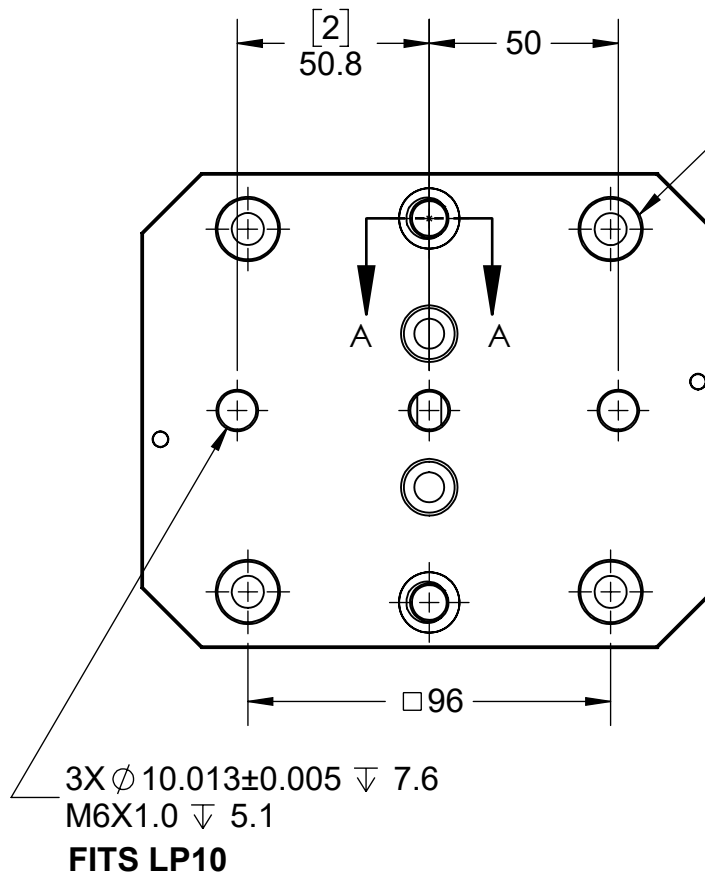
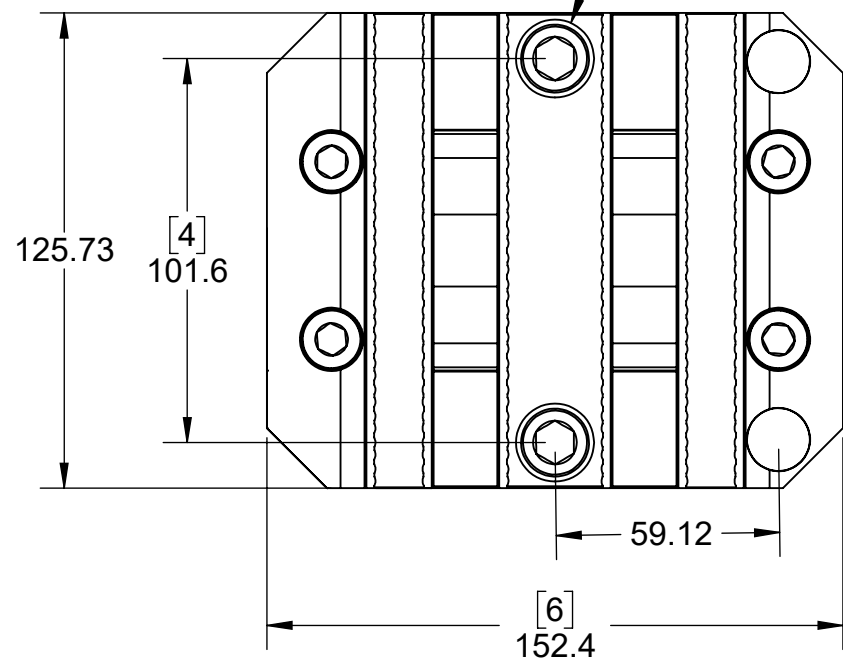
B


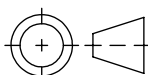
A

A

USE 2X M12 SHCS TO DIRECT MOUNT

4X FITS PS20F



MILLIMETER WWW.5THAXIS.COM 7140 ENGINEER ROAD SAN DIEGO, CA 92111 P (858) 505-0432			
	DESCRIPTION MEDIUM DOUBLE STATION VISE		
THIRD ANGLE PROJECTION 	SIZE B	PART NO. DV56-J1	REV B
DO NOT SCALE DRAWING		SCALE 1:2	WEIGHT:
		SHEET 1 OF 7	

8

7

6

5

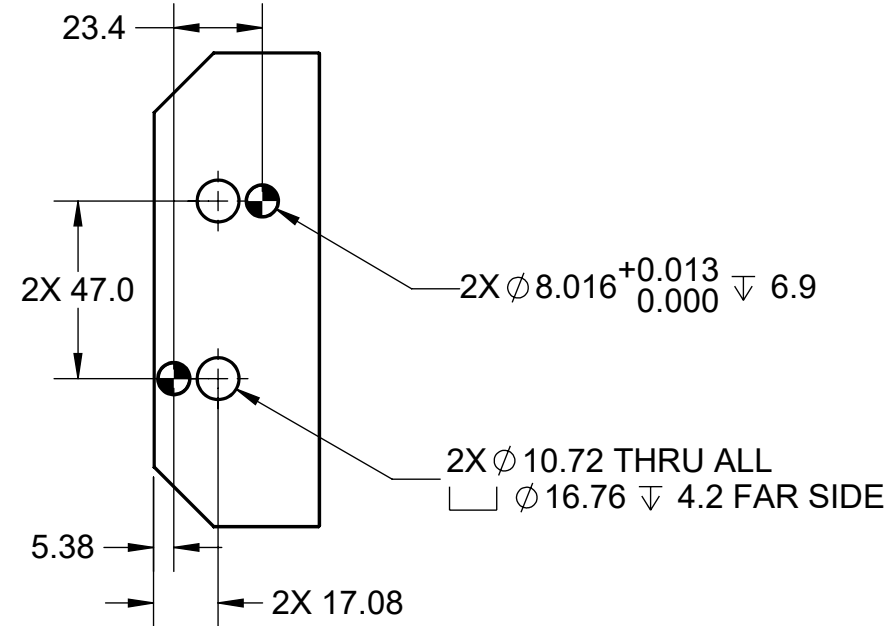
4

3

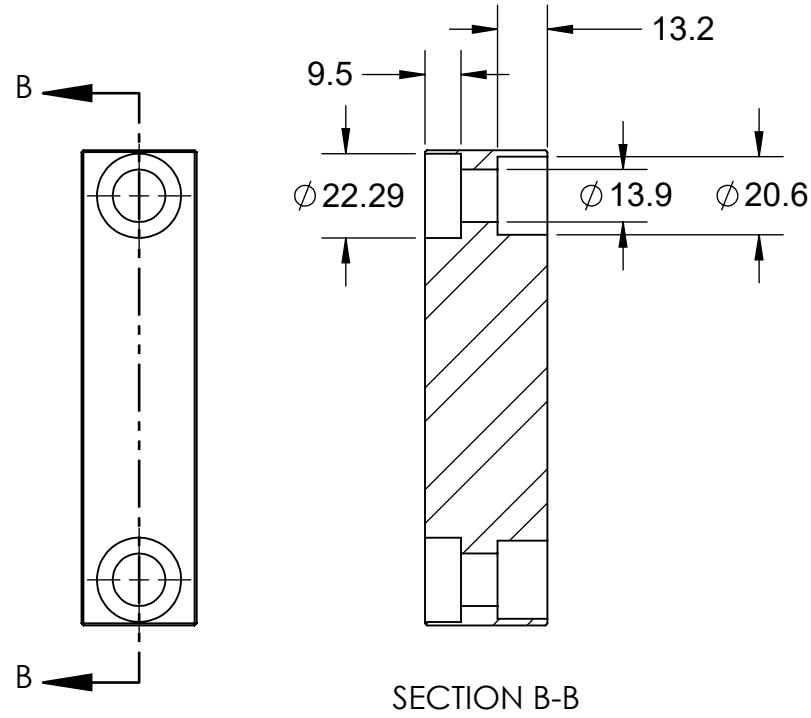
2

1

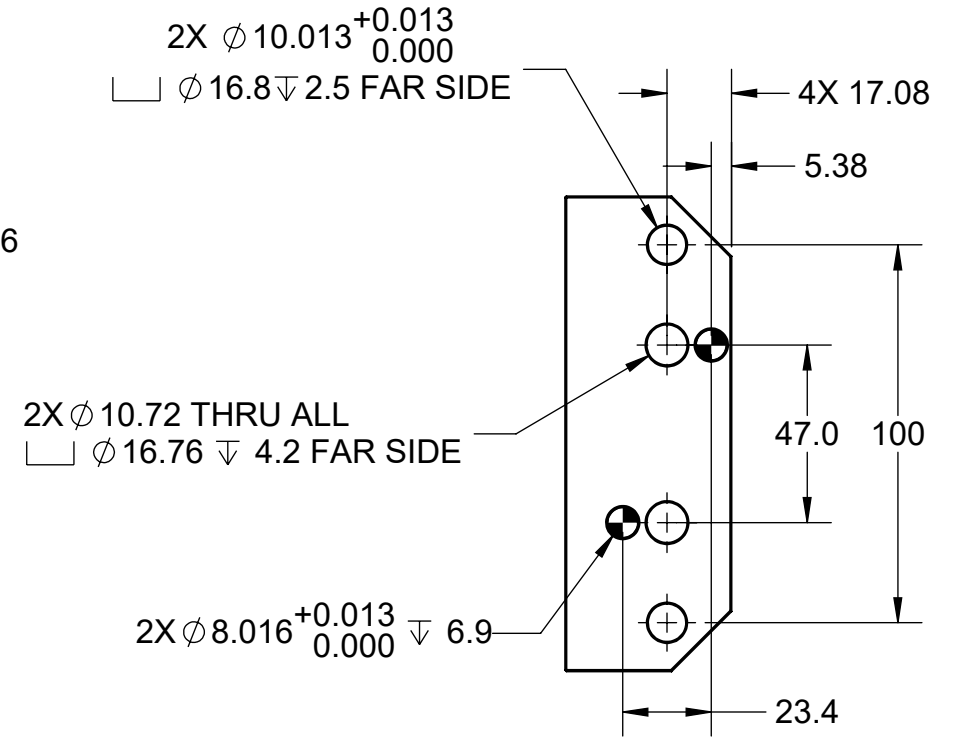
DV56-J1



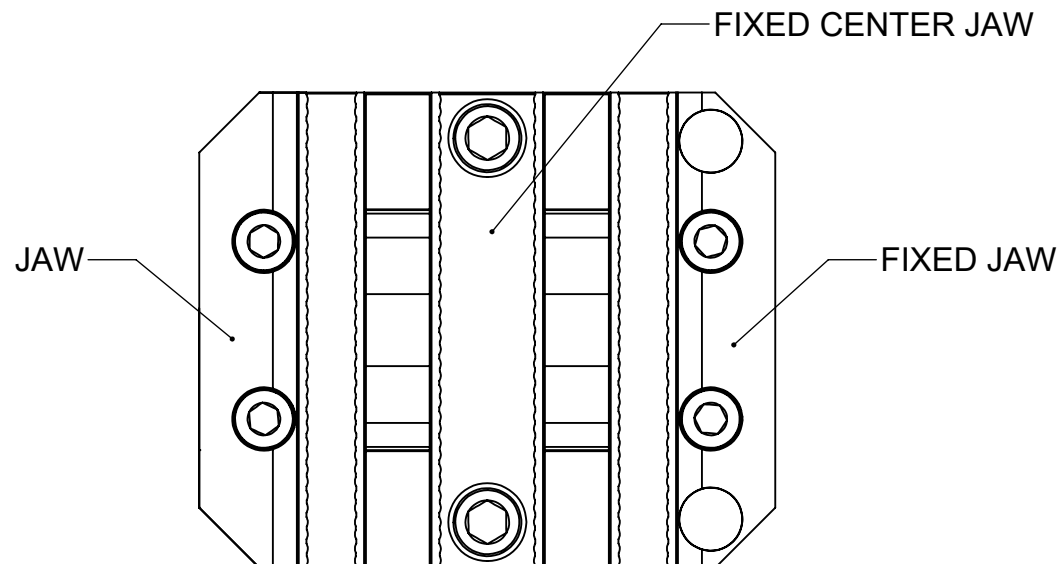
JAW MOUNTING




FIXED CENTER JAW MOUNTING

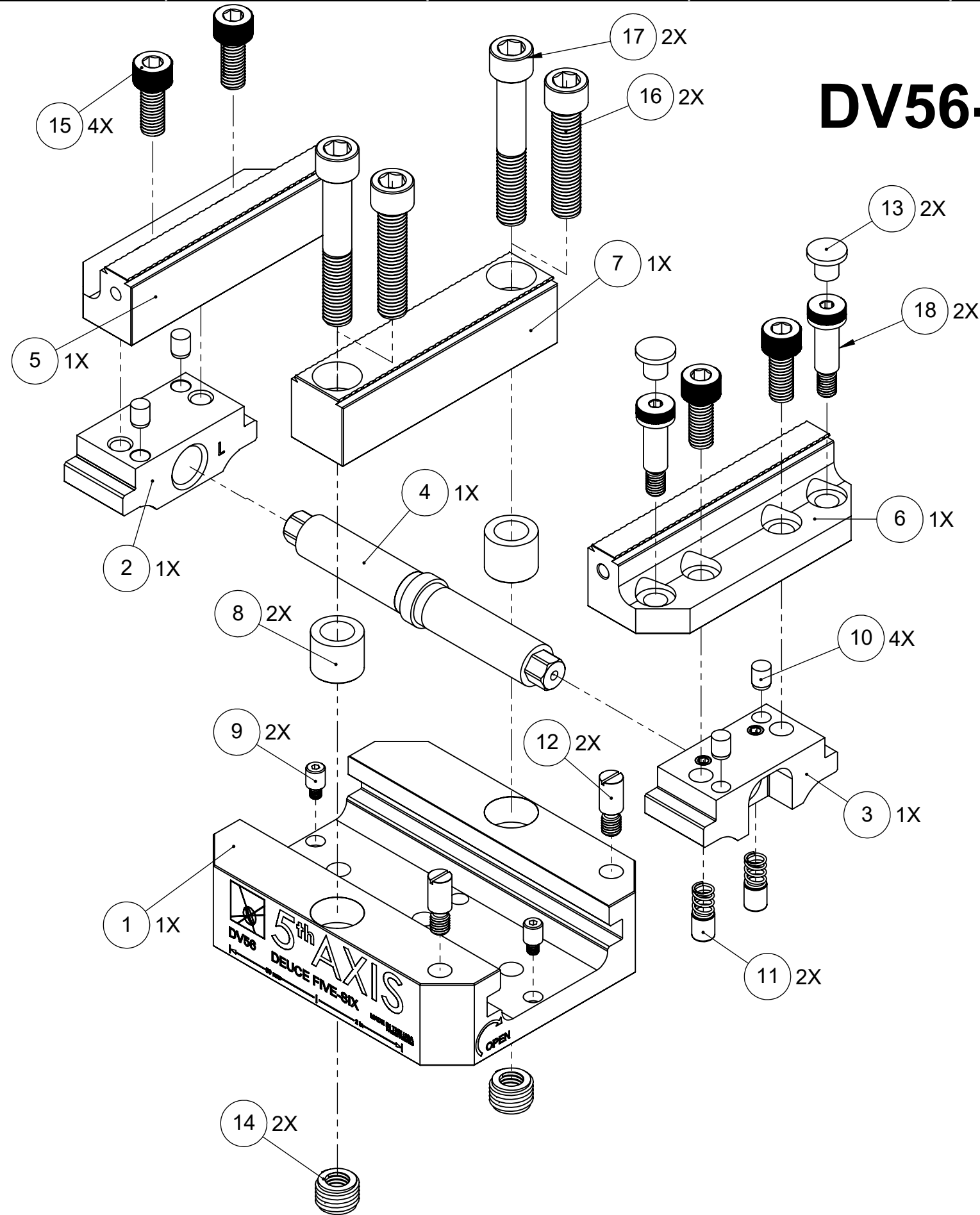


FIXED JAW MOUNTING




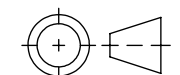
MILLIMETER				
WWW.5THAXIS.COM 7140 ENGINEER ROAD SAN DIEGO, CA 92111 P (858) 505-0432				
THIRD ANGLE PROJECTION		DESCRIPTION	MEDIUM DOUBLE STATION VISE	
SIZE	PART NO.	REV		
B	DV56-J1	B		
DO NOT SCALE DRAWING		SCALE 1:2	WEIGHT:	SHEET 2 OF 7

DV56-J1



ITEM NO.	PART NUMBER	DESCRIPTION	QTY.
1	V562DV-1	BASE	1
2	V562M-2L	LEFT TRUCK	1
3	V562M-2RDV	RIGHT TRUCK	1
4	V562M-4	LEAD SCREW	1
5	V562M-5	JAW	1
6	V562M-5F	FIXED JAW	1
7	V562-5CDV	FIXED CENTER JAW	1
8	.0875X.75	BUSHING DRILL	2
9	LP8	LOCATING PIN	2
10	M8X12.DP	DOWEL PIN, M8 X 12mm	4
11	HW.0375.FP	FRICITION PIN	2
12	HW.BASE.PLUG	BASE PLUG	2
13	HW.JAW.PLUG	JAW PLUG	2
14	450-12	THREADED INSERT	2
15	-	SOCKET HEAD SCREW, M10x1.5X25MM	4
16	-	SOCKET HEAD CAP SCREW, M12-1.75 X 55mm	2
17	-	SOCKET HEAD CAP SCREW, M12-1.75 X 75mm	2
18	-	SOCKET HEAD CAP SHOULDER SCREW, 10mmX25mm SHOULDER, M8X1.25X7mm THREAD	2
19	ANTI-SEIZE	ANTI-SEIZE (NOT SHOWN)	1
20	LP10	LOCATING PIN (NOT SHOWN)	2
21	TS13	THUMB SCREW (NOT SHOWN)	1

FOR REFERENCE ONLY - NOT FOR RESALE

MILLIMETER			
WWW.5THAXIS.COM			
7140 ENGINEER ROAD SAN DIEGO, CA 92111 P (858) 505-0432		DESCRIPTION MEDIUM DOUBLE STATION VISE	
THIRD ANGLE PROJECTION		SIZE B	PART NO. DV56-J1
		REV B	WEIGHT: SHEET 3 OF 7
DO NOT SCALE DRAWING		SCALE 1:2	WEIGHT:

8

7

6

5

4

3

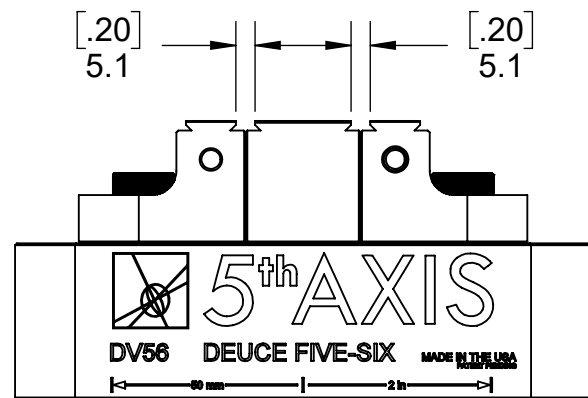
2

1

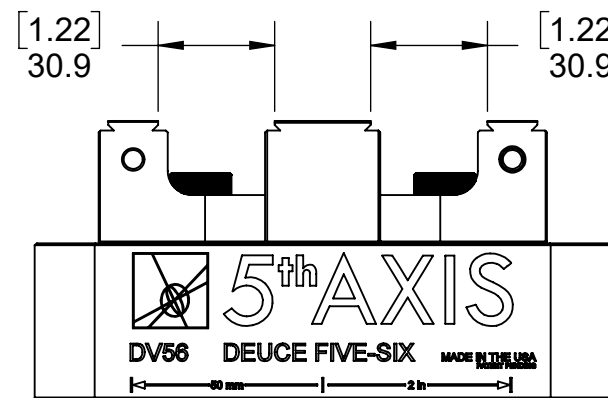
D

D

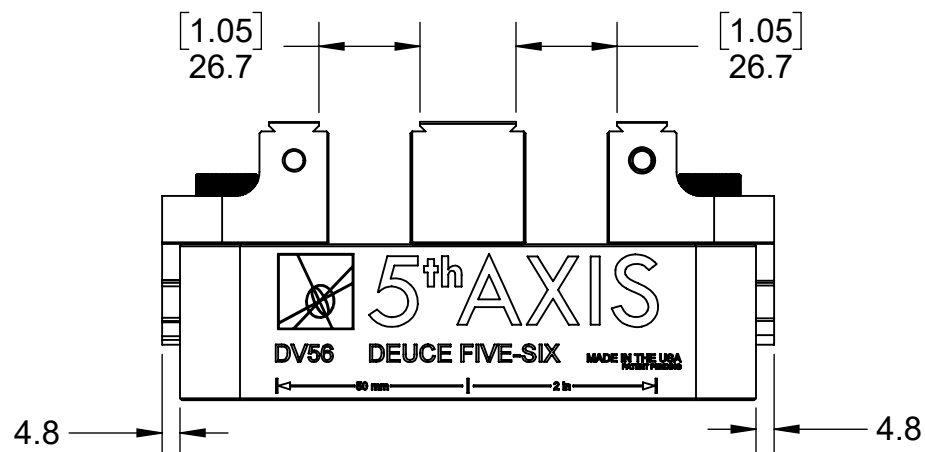
DV56-J1



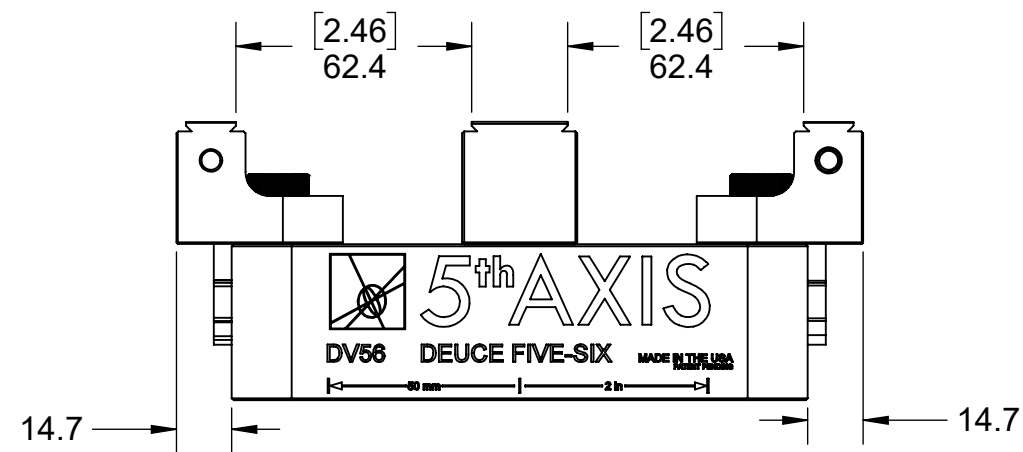
FORWARD JAWS (MINIMUM CLAMPING RANGE)



REVERSE JAWS (MINIMUM CLAMPING RANGE)



FORWARD JAWS (MAXIMUM CLAMPING RANGE)



REVERSE JAWS (MAXIMUM CLAMPING RANGE)

C


C

B

B

A

A

MILLIMETER				
WWW.5THAXIS.COM 7140 ENGINEER ROAD SAN DIEGO, CA 92111 P (858) 505-0432				DESCRIPTION MEDIUM DOUBLE STATION VISE
THIRD ANGLE PROJECTION		SIZE B	PART NO. DV56-J1	REV B
DO NOT SCALE DRAWING		SCALE 1:2	WEIGHT:	SHEET 4 OF 7

8

7

6

5

4

3

2

1

8

7

6

5

4

3

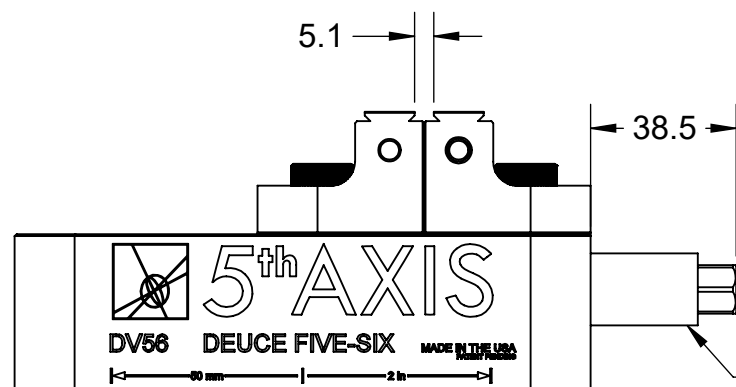
2

1

D

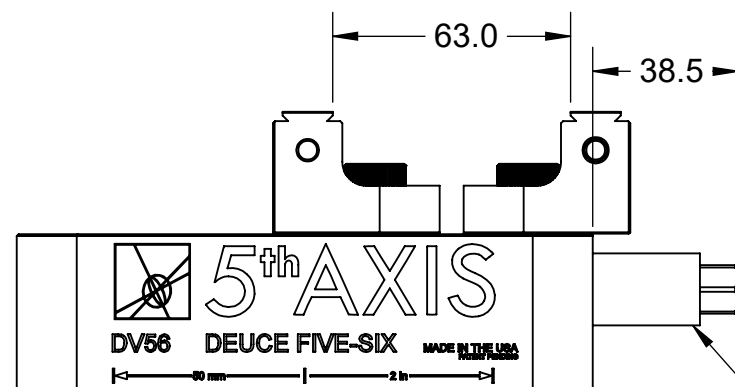
D

DV56-J1



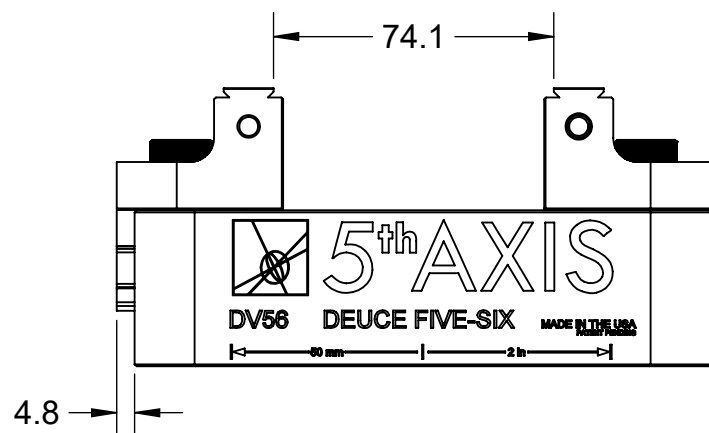
FORWARD JAWS (MINIMUM CLAMPING RANGE)
FIXED JAW CONFIGURATION

NOTE: LEAD SCREW
EXTENDS OUTSIDE
VISE BASE IN FIXED
JAW CONFIGURATION

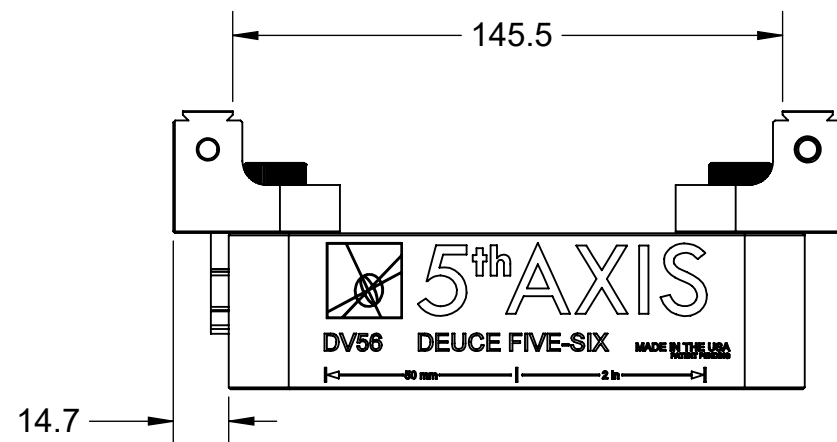


REVERSE JAWS (MINIMUM CLAMPING RANGE)
FIXED JAW CONFIGURATION

NOTE: LEAD SCREW
EXTENDS OUTSIDE
VISE BASE IN FIXED
JAW CONFIGURATION



FORWARD JAWS (MAXIMUM CLAMPING RANGE)
FIXED JAW CONFIGURATION



REVERSE JAWS (MAXIMUM CLAMPING RANGE)
FIXED JAW CONFIGURATION

C


C

B

B

A

A

MILLIMETER					
WWW.5THAXIS.COM 7140 ENGINEER ROAD SAN DIEGO, CA 92111 P (858) 505-0432					DESCRIPTION MEDIUM DOUBLE STATION VISE
THIRD ANGLE PROJECTION		SIZE B	PART NO. DV56-J1	REV B	
DO NOT SCALE DRAWING		SCALE 1:2	WEIGHT:	SHEET 5 OF 7	

8

7

6

5

4

3

2

1

8

7

6

5

4

3

2

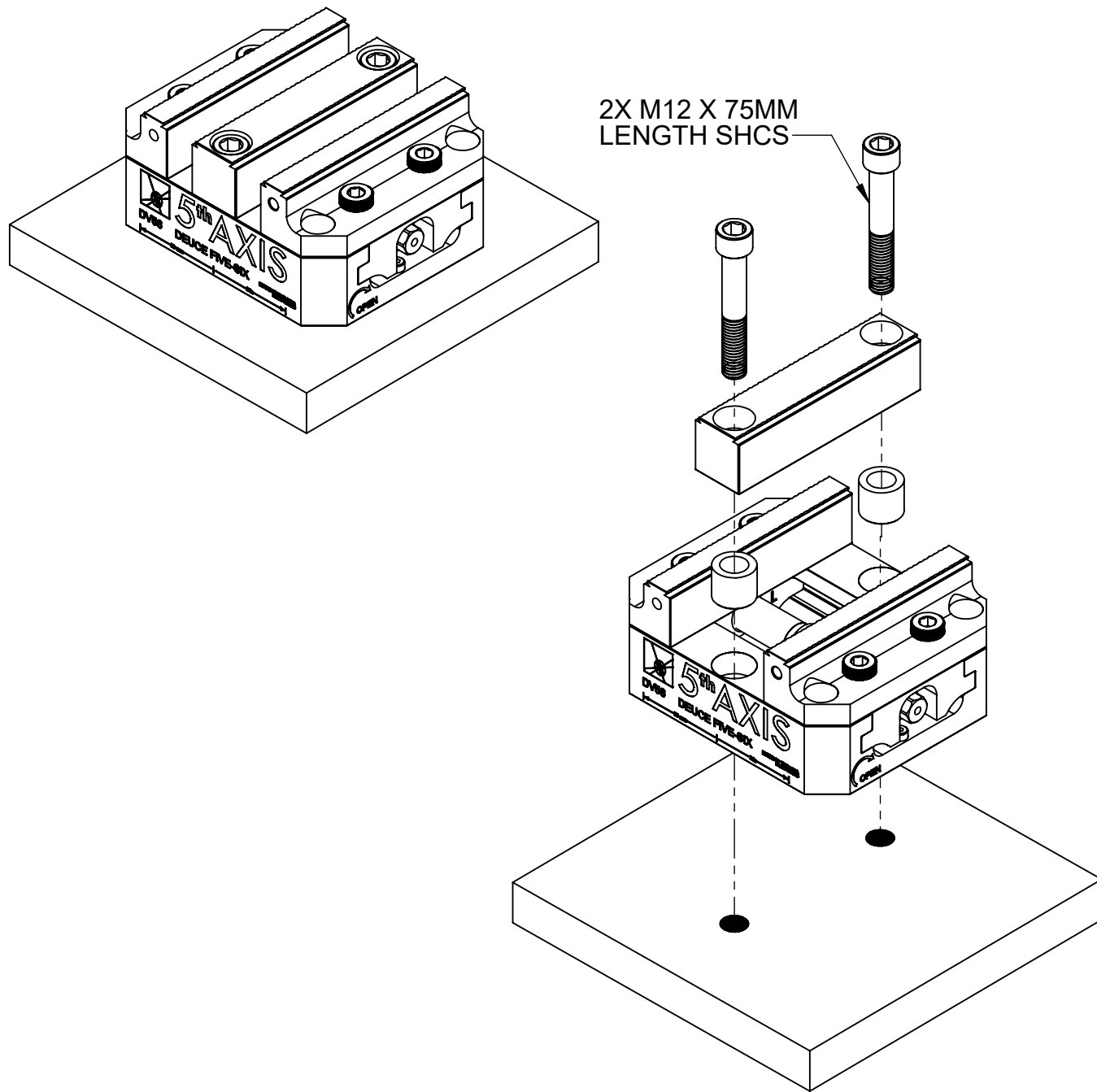
1

D

D

DV56-J1

CONFIGURATION FOR MOUNTING VISE TO TABLE



CONFIGURATION FOR MOUNTING VISE TO ROCKLOCK SYSTEM



2X 450-12 THREADED INSERT

*IT IS RECOMMENDED TO INSTALL USING EZ-LOK DRIVE TOOL.

ENSURE INSERTS ARE NOT PROTRUDING PAST BOTTOM OF VISE BASE.

REFER TO EZ-LOK INSTALLATION INSTRUCTIONS FOR MORE INFO.

C

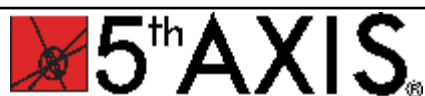
C

B

B

A

A

MILLIMETER				
WWW.5THAXIS.COM 7140 ENGINEER ROAD SAN DIEGO, CA 92111 P (858) 505-0432				
THIRD ANGLE PROJECTION		DESCRIPTION	MEDIUM DOUBLE STATION VISE	
SIZE	PART NO.	DV56-J1		REV
B				B
DO NOT SCALE DRAWING		SCALE 1:2	WEIGHT:	SHEET 6 OF 7

8

7

6

5

4

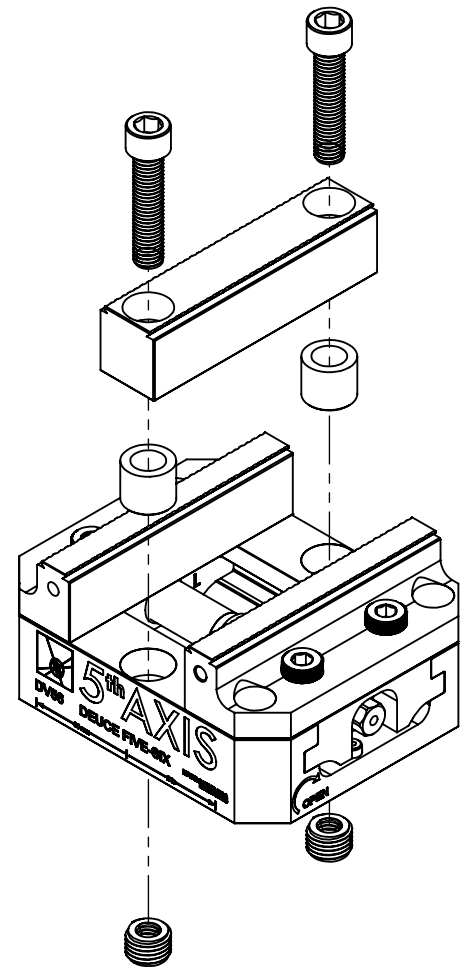
3

2

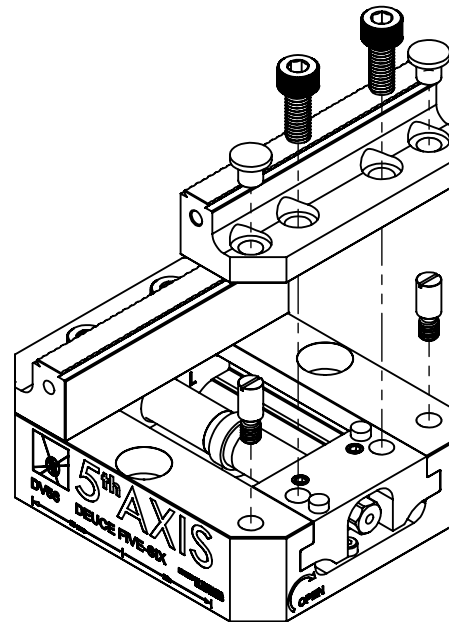
1

DV56-J1

CONVERTING DOUBLE STATION VISE TO FIXED JAW, SINGLE STATION VISE CONFIGURATION

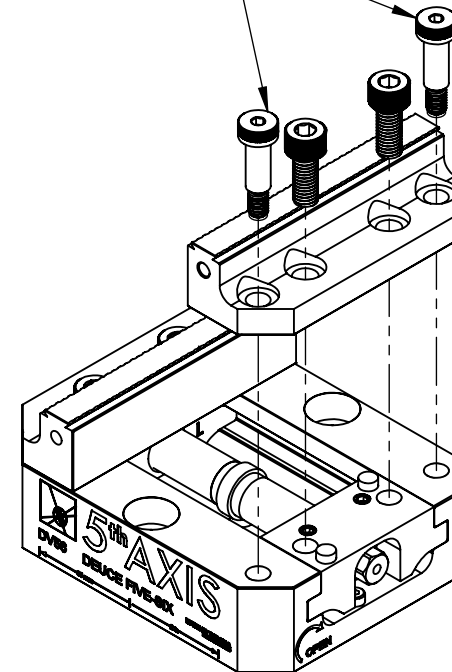


STEP 1:
REMOVE CENTER JAW COMPONENTS

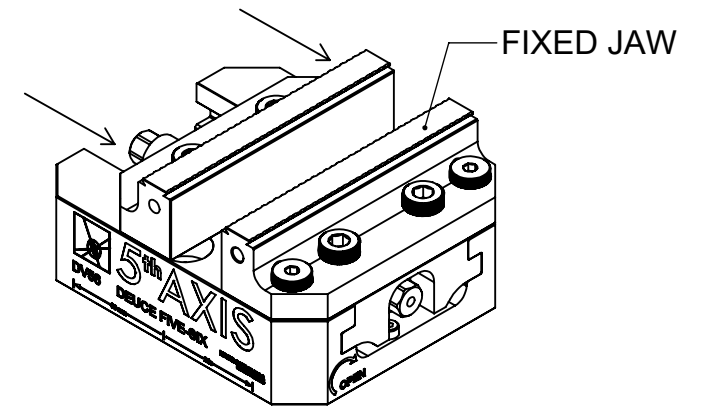


STEP 2:
REMOVE RIGHT JAW, JAW PLUGS
AND BASE PLUGS


2X 10MM SHOULDER BOLTS



STEP 3:
REATTACH RIGHT JAW INTO RIGHT
TRUCK AND BASE USING 2x SHCS
AND 2x SHOULDER BOLTS



STEP 4:
FIXED JAW CONFIGURATION COMPLETE
(RIGHT JAW FIXED AND LEFT JAW MOVES)

MILLIMETER				
WWW.5THAXIS.COM 7140 ENGINEER ROAD SAN DIEGO, CA 92111 P (858) 505-0432				
THIRD ANGLE PROJECTION		DESCRIPTION	MEDIUM DOUBLE STATION VISE	
SIZE	PART NO.	REV		
B	DV56-J1	B		
DO NOT SCALE DRAWING		SCALE 1:3	WEIGHT:	SHEET 7 OF 7