

8

7

6

5

4

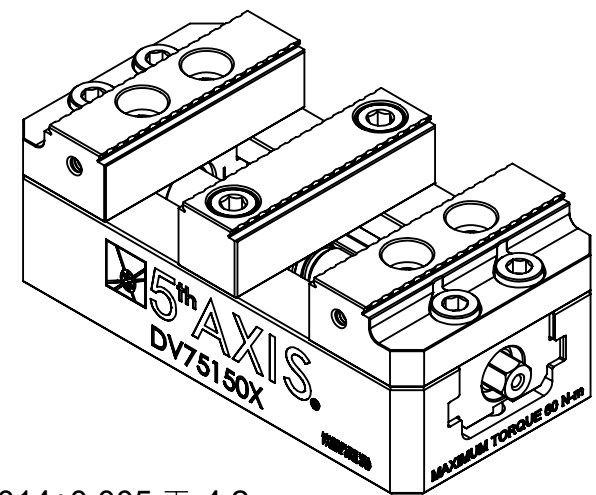
3

2

1

TECHNICAL DATA	DV75150X-J1
JAW WIDTH	2.95" (75mm)
BASE LENGTH	5.91" (150mm)
MAXIMUM TORQUE (JAW BOLT)	20 ft-lb (27 Nm)
CLAMPING FORCE	5000 lbf @ 45 ft-lb (22 kN @ 60 Nm)
MAXIMUM TORQUE (LEADSCREW)	45 ft-lb (60 Nm)
MAXIMUM TORQUE (MOUNTING BOLT)	25 ft-lb (34 Nm)
SELF-CENTERING ACCURACY	± 0.0005" (± 12.7µm)

DV75150X-J1



D

D

C

C

B

B

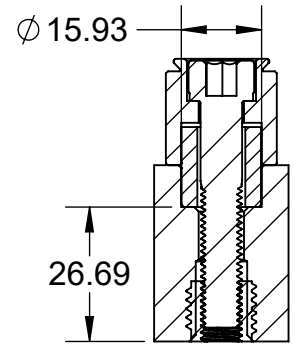
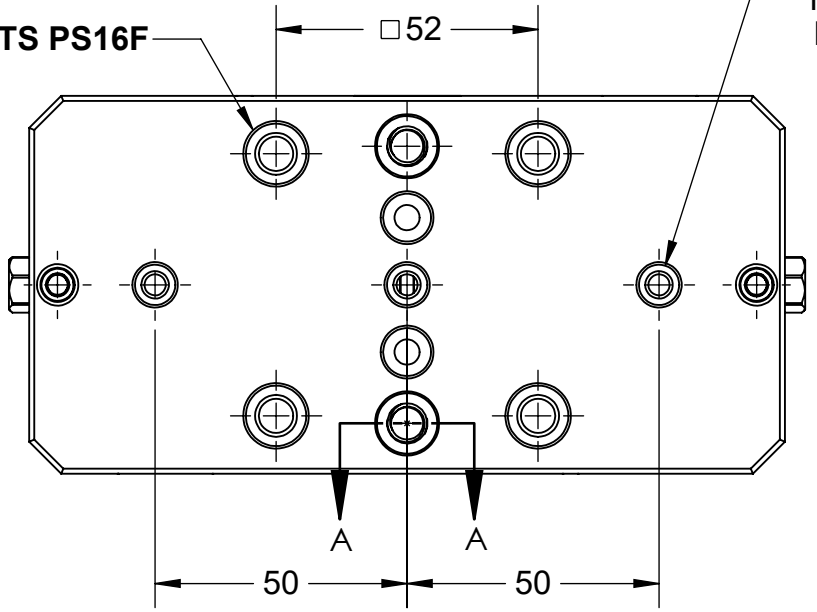
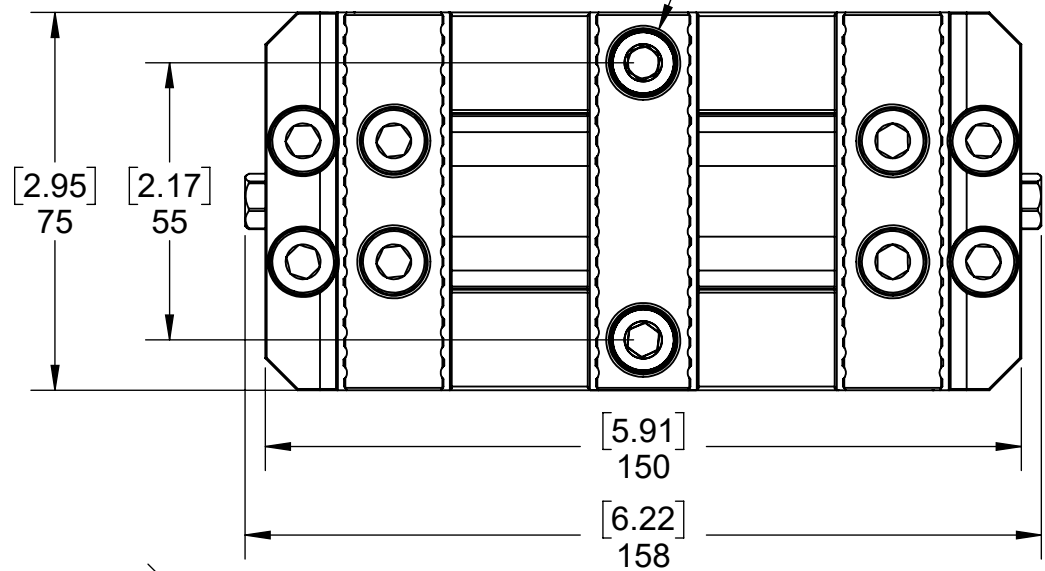
A

A

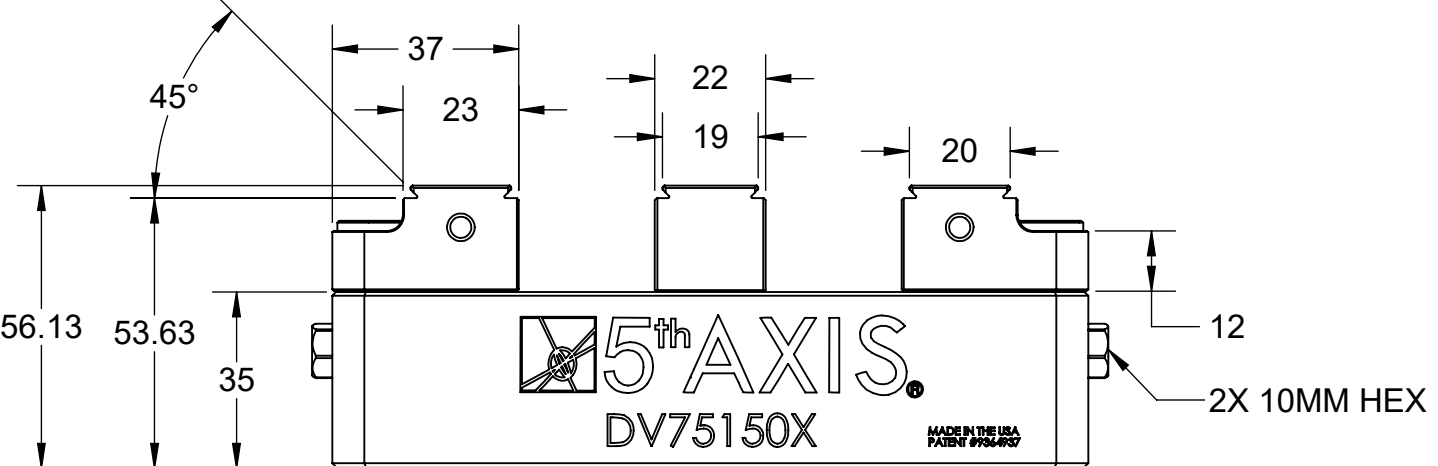
USE 2X M8 SHCS TO DIRECT MOUNT

4X FITS PS16F

3X $\phi 8.014 \pm 0.005 \nabla 4.2$
M5X0.8 $\nabla 5.8$
FITS LP8



SECTION A-A



MILLIMETER				
WWW.5THAXIS.COM 7140 ENGINEER ROAD SAN DIEGO, CA 92111 P (858) 505-0432				
THIRD ANGLE PROJECTION		DESCRIPTION	SMALL DOUBLE STATION VISE	
SIZE	PART NO.	REV		
B	DV75150X-J1	B		
DO NOT SCALE DRAWING		SCALE 1:1.5	WEIGHT:	SHEET 1 OF 5

8

7

6

5

4

3

2

1

8

7

6

5

4

3

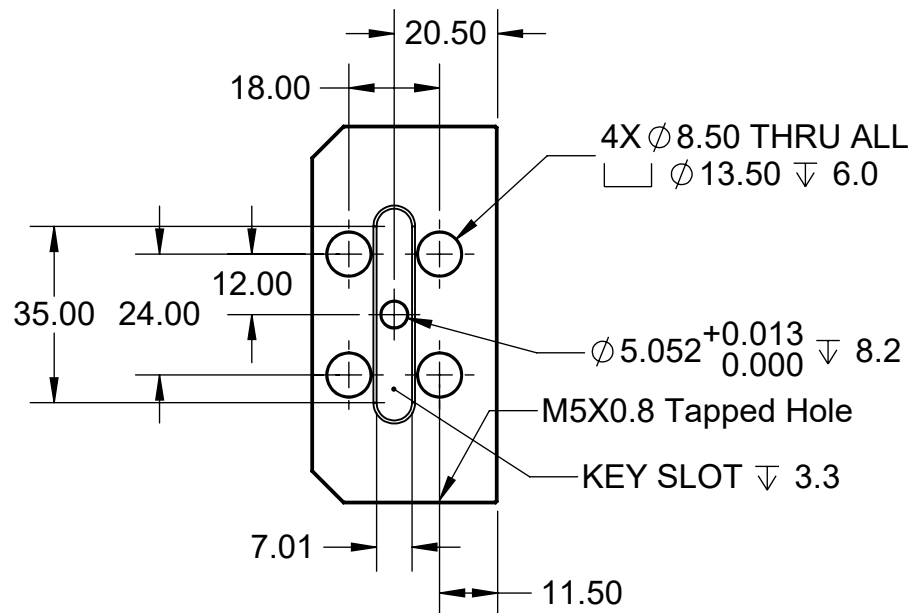
2

1

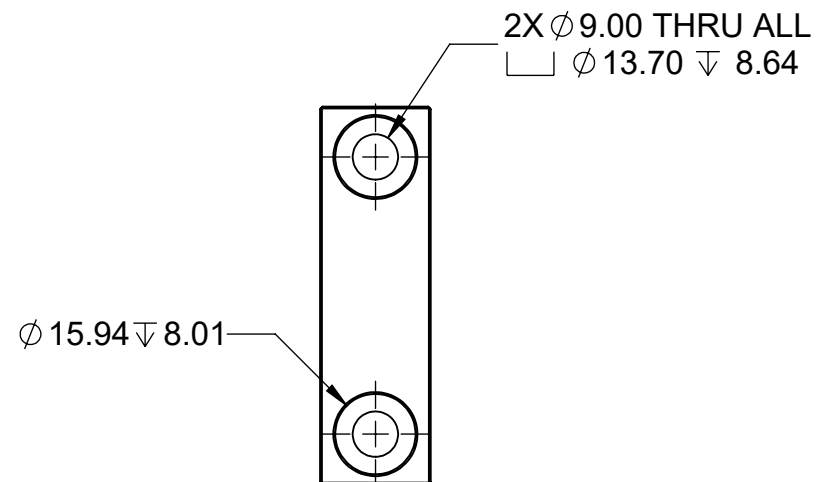
D

D

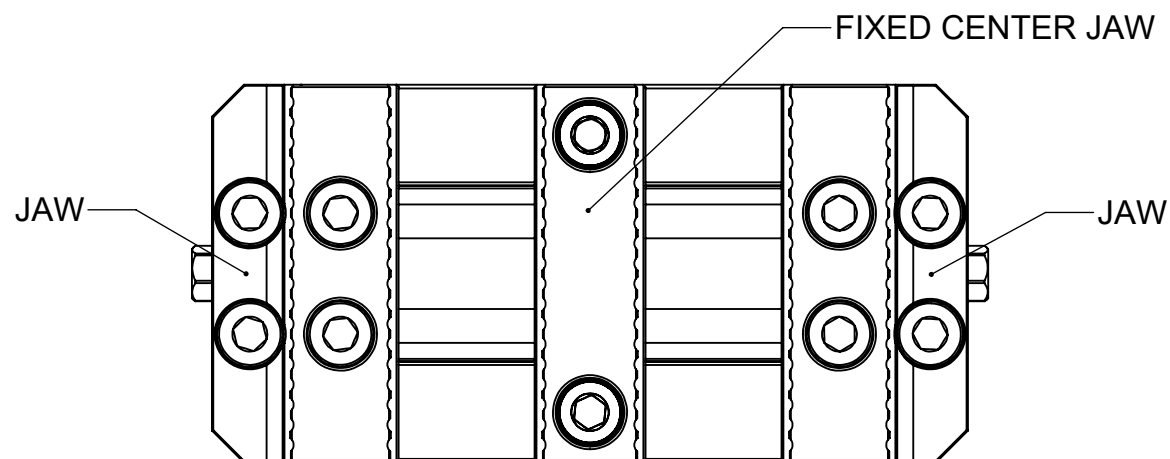
DV75150X-J1



JAW MOUNTING



FIXED CENTER JAW MOUNTING



B

B

A

A

8

7

6


5

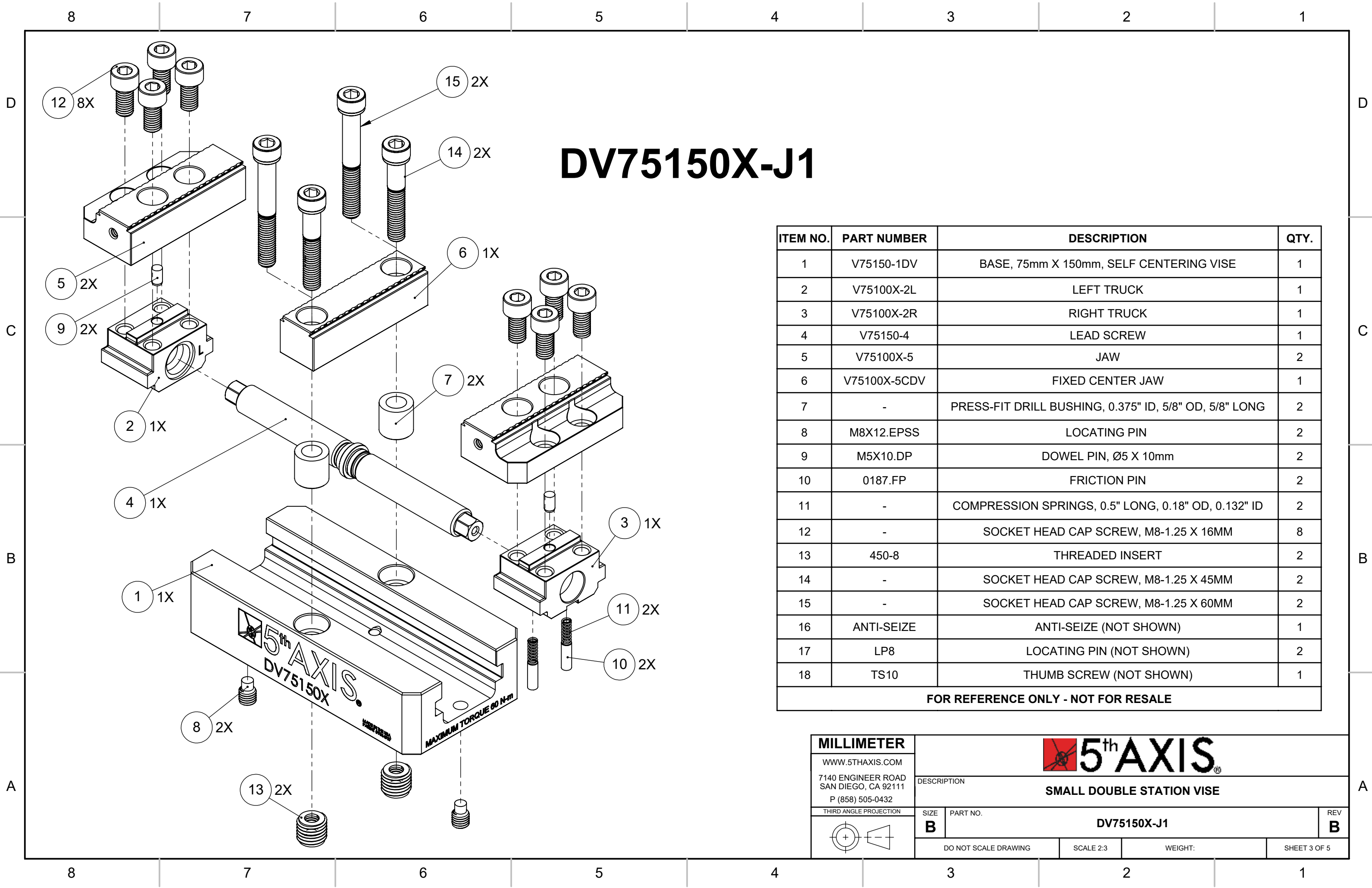
4

3

2

1


MILLIMETER				
WWW.5THAXIS.COM 7140 ENGINEER ROAD SAN DIEGO, CA 92111 P (858) 505-0432				
THIRD ANGLE PROJECTION		DESCRIPTION	SMALL DOUBLE STATION VISE	
SIZE	PART NO.	REV		
B	DV75150X-J1	B		
DO NOT SCALE DRAWING		SCALE 1:1.5	WEIGHT:	SHEET 2 OF 5



DV75150X-J1

ITEM NO.	PART NUMBER	DESCRIPTION	QTY.
1	V75150-1DV	BASE, 75mm X 150mm, SELF CENTERING VISE	1
2	V75100X-2L	LEFT TRUCK	1
3	V75100X-2R	RIGHT TRUCK	1
4	V75150-4	LEAD SCREW	1
5	V75100X-5	JAW	2
6	V75100X-5CDV	FIXED CENTER JAW	1
7	-	PRESS-FIT DRILL BUSHING, 0.375" ID, 5/8" OD, 5/8" LONG	2
8	M8X12.EPSS	LOCATING PIN	2
9	M5X10.DP	DOWEL PIN, Ø5 X 10mm	2
10	0187.FP	FRICITION PIN	2
11	-	COMPRESSION SPRINGS, 0.5" LONG, 0.18" OD, 0.132" ID	2
12	-	SOCKET HEAD CAP SCREW, M8-1.25 X 16MM	8
13	450-8	THREADED INSERT	2
14	-	SOCKET HEAD CAP SCREW, M8-1.25 X 45MM	2
15	-	SOCKET HEAD CAP SCREW, M8-1.25 X 60MM	2
16	ANTI-SEIZE	ANTI-SEIZE (NOT SHOWN)	1
17	LP8	LOCATING PIN (NOT SHOWN)	2
18	TS10	THUMB SCREW (NOT SHOWN)	1

FOR REFERENCE ONLY - NOT FOR RESALE

MILLIMETER				
WWW.5THAXIS.COM 7140 ENGINEER ROAD SAN DIEGO, CA 92111 P (858) 505-0432				
THIRD ANGLE PROJECTION		DESCRIPTION	SMALL DOUBLE STATION VISE	
SIZE	PART NO.	DV75150X-J1		REV
B				B
DO NOT SCALE DRAWING		SCALE 2:3	WEIGHT:	SHEET 3 OF 5

8

7

6

5

4

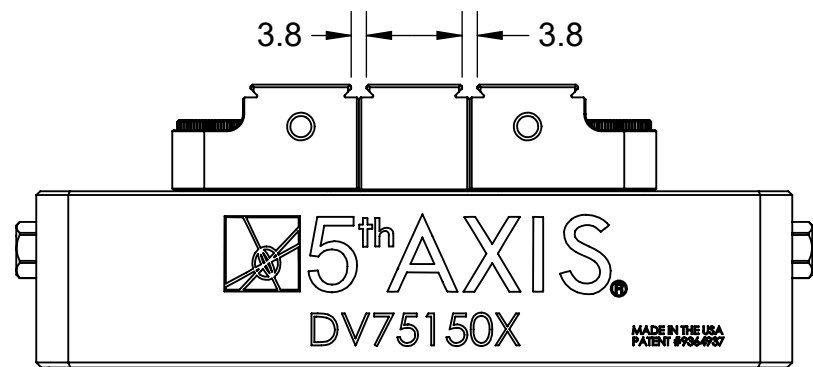
3

2

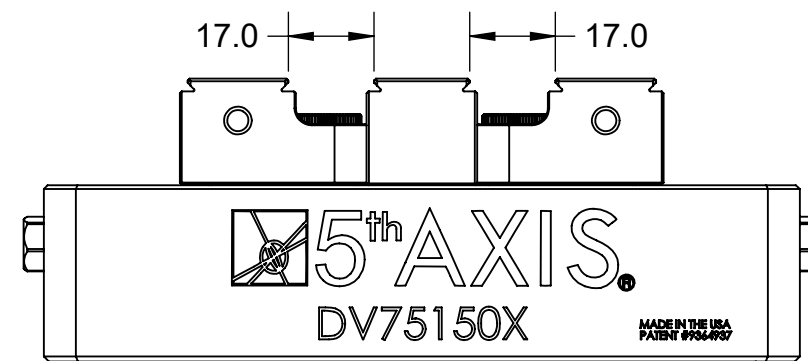
1

NOTE: USING DOVETAIL ALLOWS VISE TO CLAMP LARGER PART.
BELOW CLAMPING RANGE ONLY SHOWS THE CAPABILITY OF THE GRIPPER TEETH.

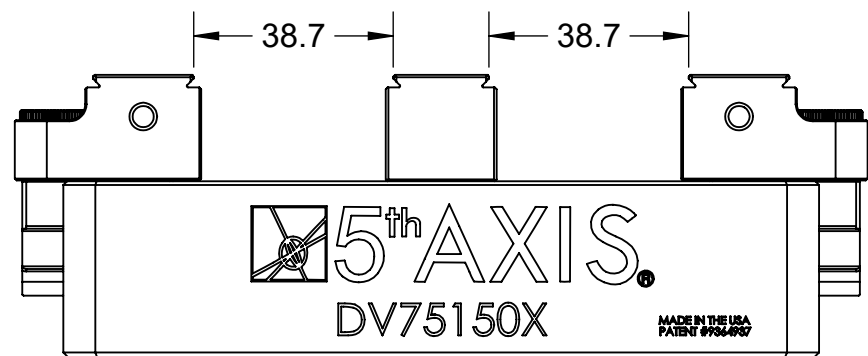
DV75150X-J1



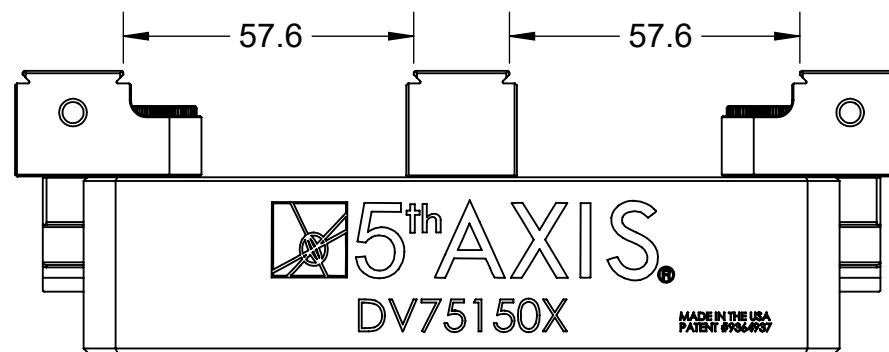
FORWARD JAWS (MINIMUM CLAMPING RANGE)




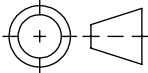
REVERSE JAWS (MINIMUM CLAMPING RANGE)



FORWARD JAWS (MAXIMUM CLAMPING RANGE)



REVERSE JAWS (MAXIMUM CLAMPING RANGE)

MILLIMETER				
WWW.5THAXIS.COM 7140 ENGINEER ROAD SAN DIEGO, CA 92111 P (858) 505-0432				DESCRIPTION SMALL DOUBLE STATION VISE
THIRD ANGLE PROJECTION		SIZE B	PART NO. DV75150X-J1	REV B
		DO NOT SCALE DRAWING	SCALE 1:1.5	WEIGHT:
				SHEET 4 OF 5

8

7

6

5

4

3

2

1

8

7

6

5

4

3

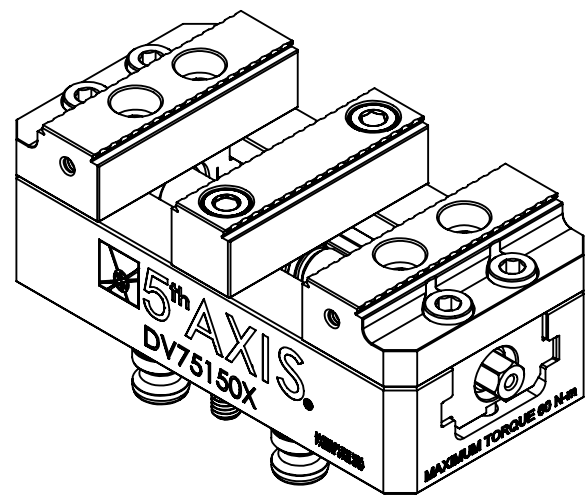
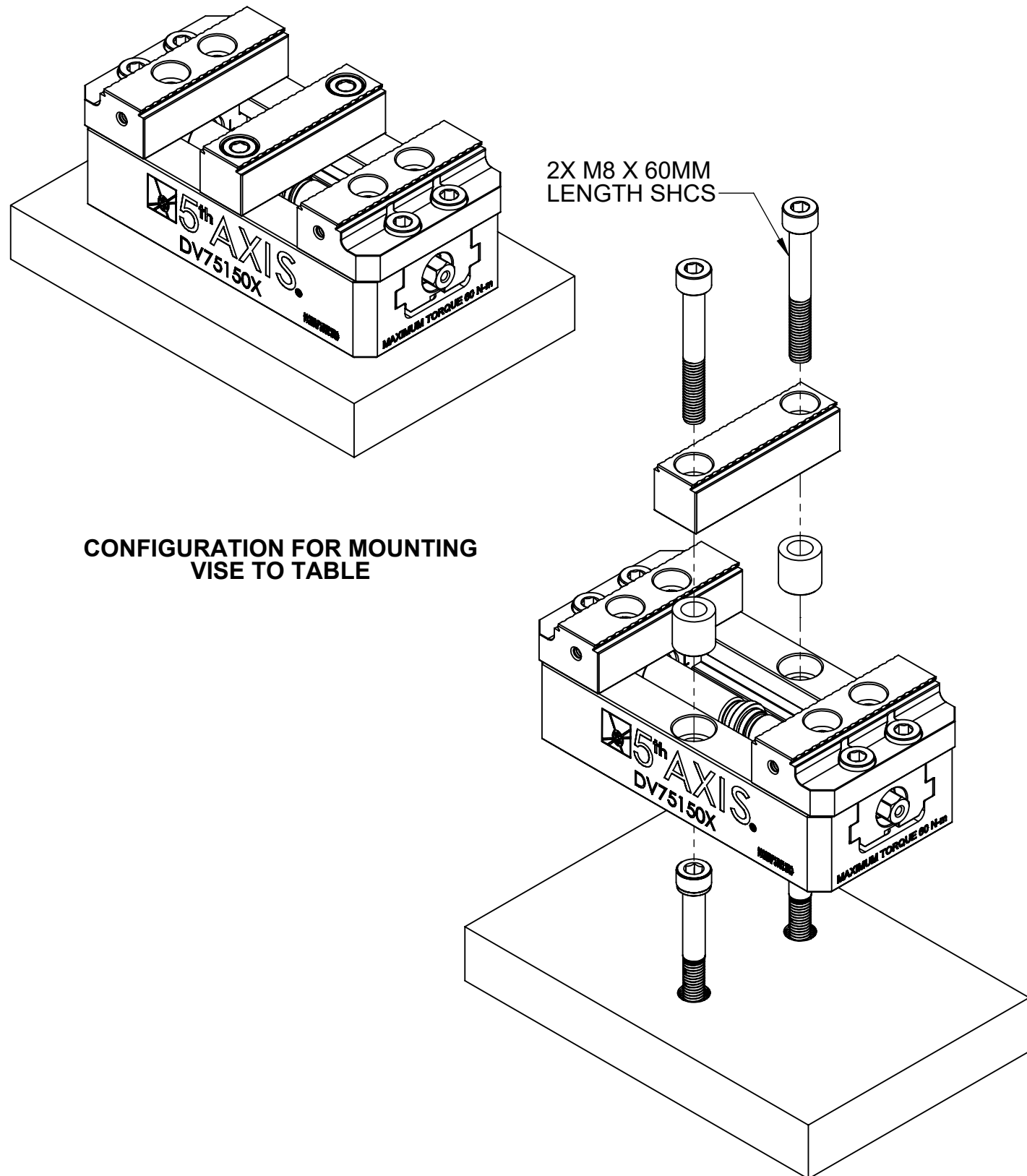
2

1

D

D

DV75150X-J1



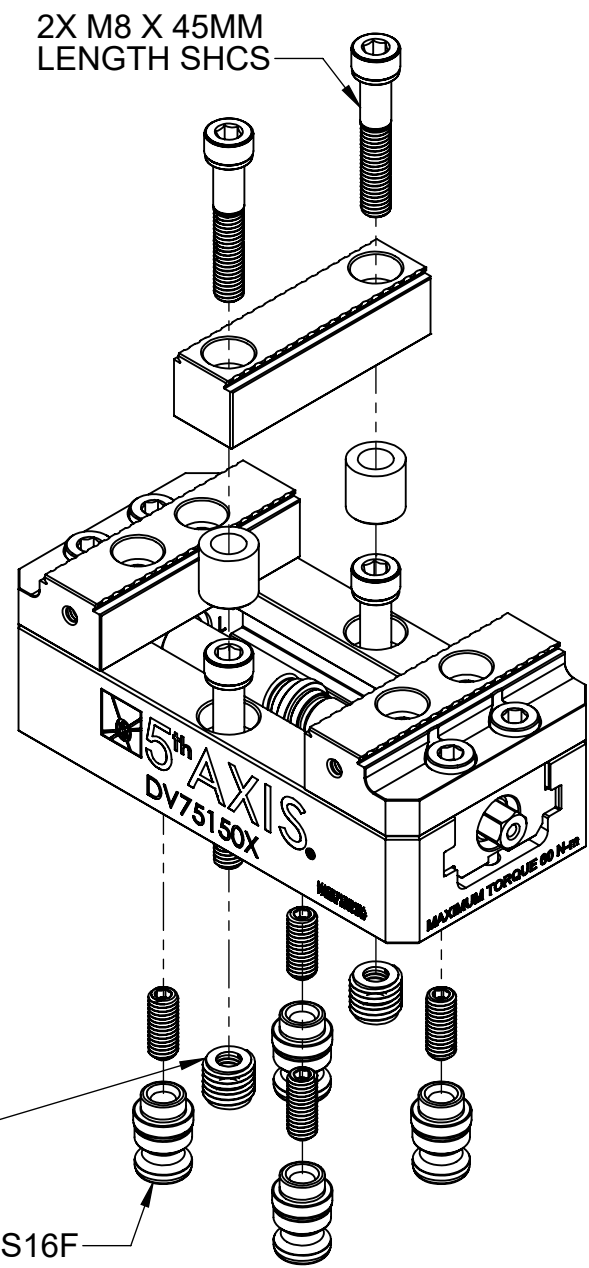
CONFIGURATION FOR MOUNTING VISE TO ROCKLOCK SYSTEM

2X 450-8 THREADED INSERT

*IT IS RECOMMENDED TO INSTALL USING EZ-LOK DRIVE TOOL.

ENSURE INSERTS ARE NOT PROTRUDING PAST BOTTOM OF VISE BASE.

REFER TO EZ-LOK INSTALLATION INSTRUCTIONS FOR MORE INFO.



C


C

B

B

A

A

MILLIMETER			
WWW.5THAXIS.COM			
7140 ENGINEER ROAD SAN DIEGO, CA 92111 P (858) 505-0432		DESCRIPTION SMALL DOUBLE STATION VISE	
THIRD ANGLE PROJECTION	SIZE B	PART NO. DV75150X-J1	REV B
DO NOT SCALE DRAWING		SCALE 1:2	WEIGHT:
		SHEET 5 OF 5	

8

7

6

5

4

3

2

1