

8

7

6

5

4

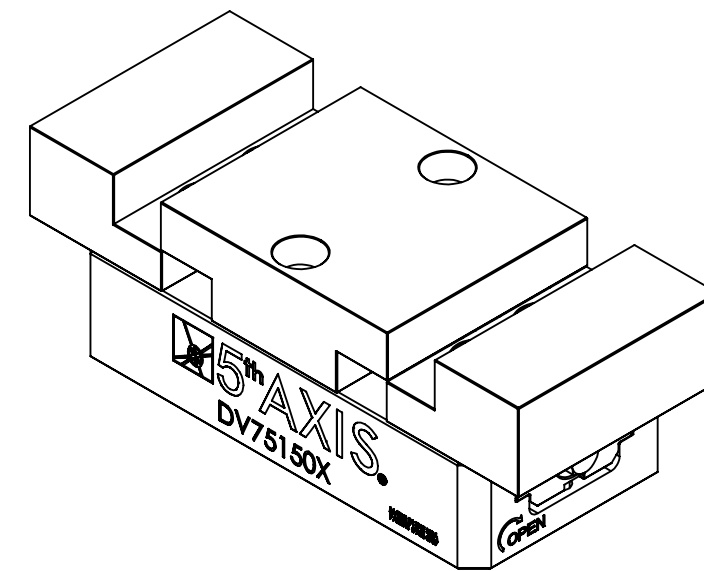
3

2

1

| TECHNICAL DATA                 | DV75150-J2                          |
|--------------------------------|-------------------------------------|
| JAW WIDTH                      | 2.95" (75mm)                        |
| BASE LENGTH                    | 5.91" (150mm)                       |
| MAXIMUM TORQUE (JAW BOLT)      | 20 ft-lb (27 Nm)                    |
| CLAMPING FORCE                 | 5000 lbf @ 45 ft-lb (22 kN @ 60 Nm) |
| MAXIMUM TORQUE (LEADSCREW)     | 45 ft-lb (60 Nm)                    |
| MAXIMUM TORQUE (MOUNTING BOLT) | 25 ft-lb (34 Nm)                    |
| SELF-CENTERING ACCURACY        | ± 0.0005" (± 12.7µm)                |

# DV75150-J2



D

D

C

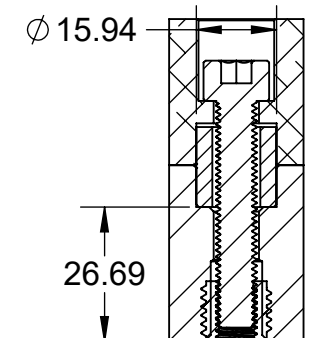
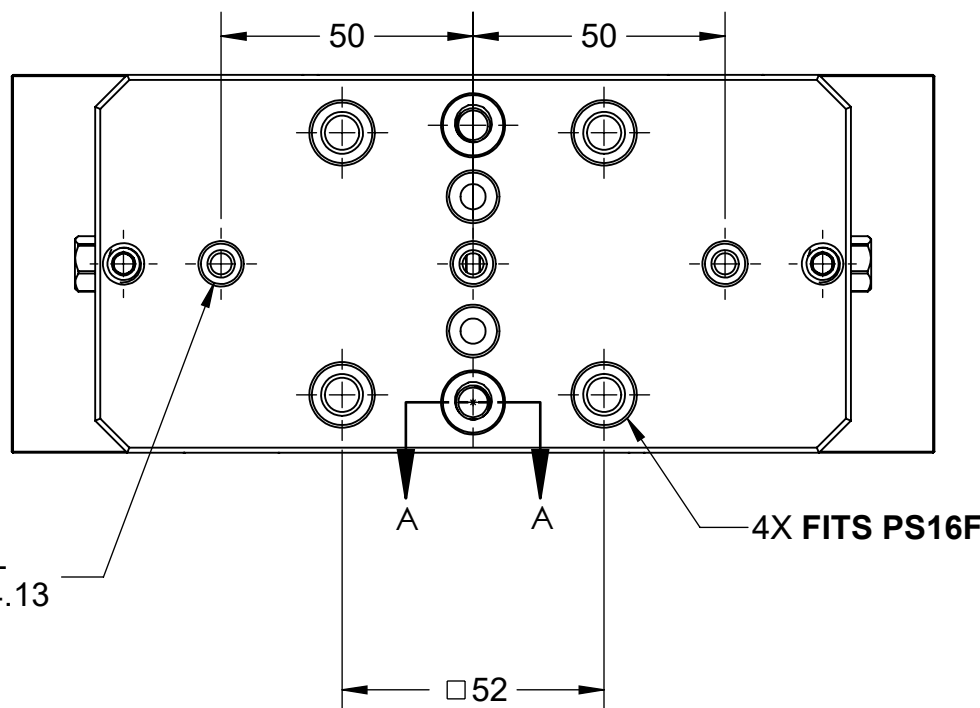
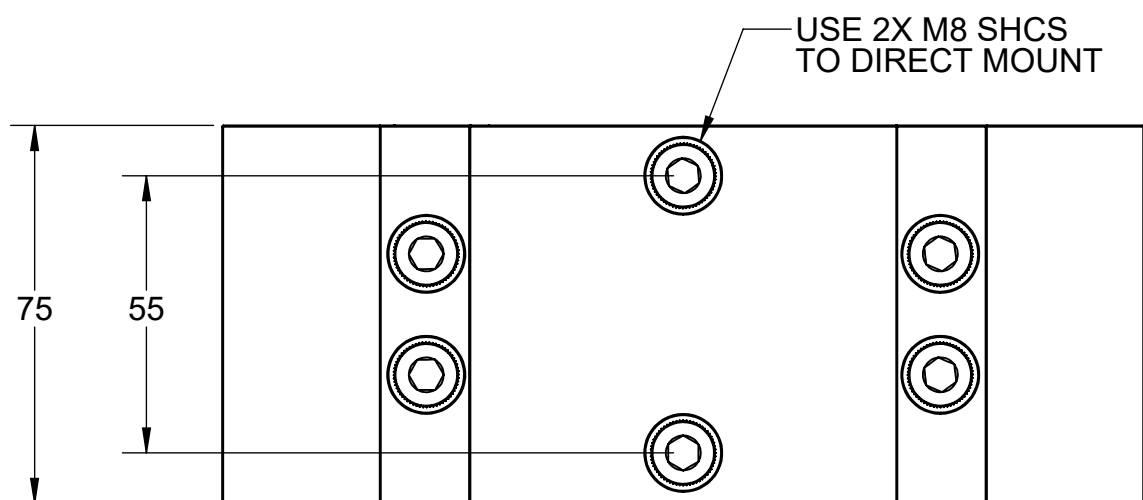
C

B

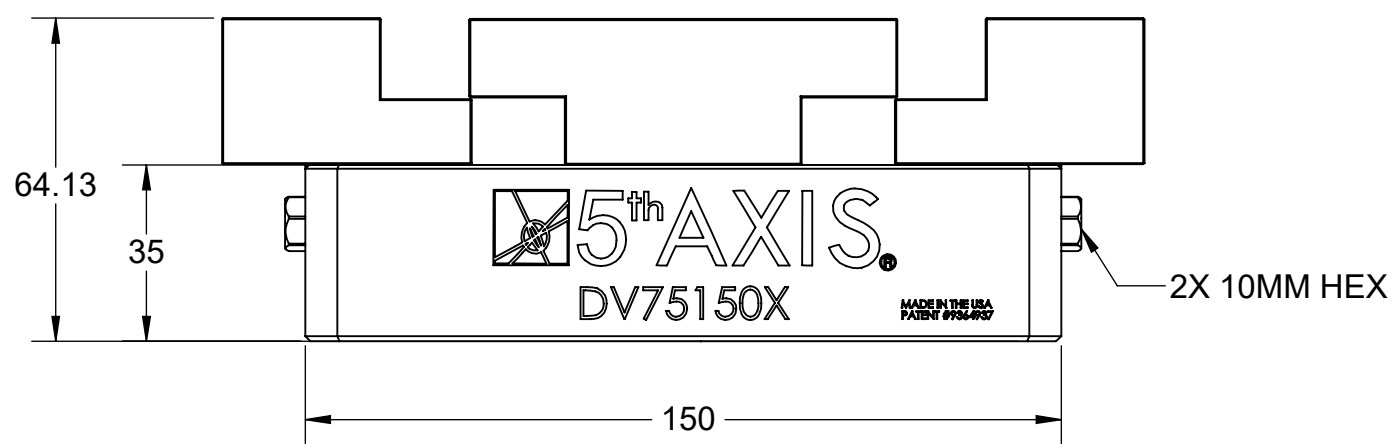
B

A

A



SECTION A-A



|   |                  |   |                 |
|---|------------------|---|-----------------|
| <b>MILLIMETER</b>   |                  |   |                 |
| WWW.5THAXIS.COM   |                  |   |                 |
| 7140 ENGINEER ROAD<br>SAN DIEGO, CA 92111<br>P (858) 505-0432 |                  | DESCRIPTION<br><b>SMALL DOUBLE STATION VISE WITH ALUMINUM SOFT JAWS</b> |                 |
| THIRD ANGLE PROJECTION  | SIZE<br><b>B</b> | PART NO.<br><b>DV75150-J2</b>   | REV<br><b>B</b> |
| DO NOT SCALE DRAWING  |                  | SCALE 1:1.5   | WEIGHT:         |
|   |                  | SHEET 1 OF 4  |                 |

8

7

6

5

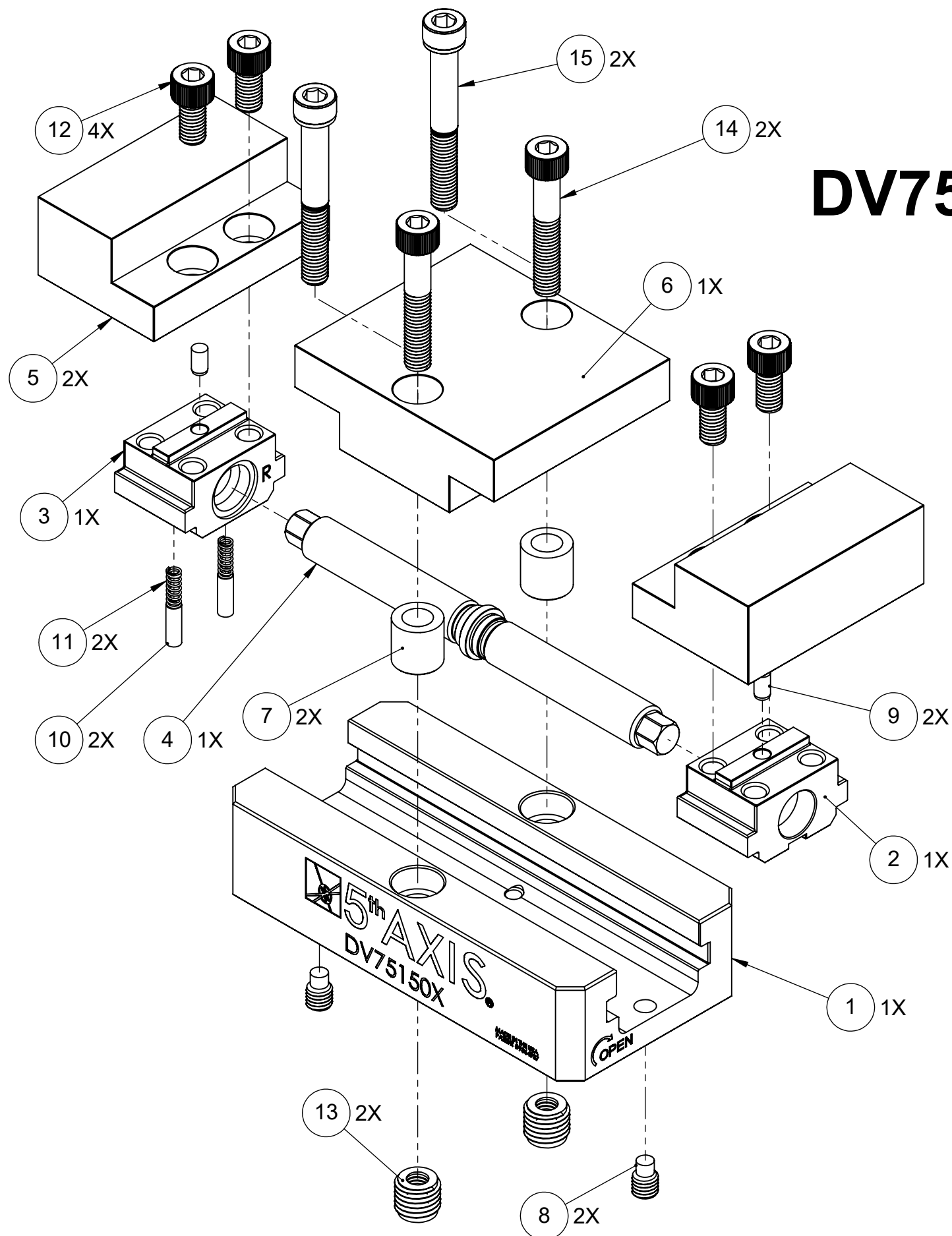
4

3


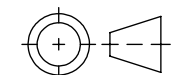
2

1

# DV75150-J2



| ITEM NO.                            | PART NUMBER   | DESCRIPTION  | QTY. |
|-------------------------------------|---------------|--|------|
| 1                                   | V75150-1DV    | BASE, 75mm X 150mm, SELF CENTERING VISE                | 1    |
| 2                                   | V75100X-2L    | LEFT TRUCK   | 1    |
| 3                                   | V75100X-2R    | RIGHT TRUCK  | 1    |
| 4                                   | V75150-4      | LEAD SCREW   | 1    |
| 5                                   | VAJ-DV75150-M | MACHINABLE JAW, DV75150X, ALUMINUM, MOVABLE            | 2    |
| 6                                   | VAJ-DV75150-F | MACHINABLE JAW, DV75150X, ALUMINUM, FIXED              | 1    |
| 7                                   | -             | PRESS-FIT DRILL BUSHING, 0.375" ID, 5/8" OD, 5/8" LONG | 2    |
| 8                                   | M8X12.EPSS    | LOCATING PIN   | 2    |
| 9                                   | M5X10.DP      | DOWEL PIN, Ø5 X 10mm                                   | 2    |
| 10                                  | 0187.FP       | FRICITION PIN  | 2    |
| 11                                  | -             | COMPRESSION SPRINGS, 0.5" LONG, 0.18" OD, 0.132" ID    | 2    |
| 12                                  | -             | SOCKET HEAD SCREW, M8x1.25x16mm                        | 4    |
| 13                                  | 450-8         | THREADED INSERT  | 2    |
| 14                                  | -             | SOCKET HEAD SCREW, M8x1.25x45mm                        | 2    |
| 15                                  | -             | SOCKET HEAD CAP SCREW, M8-1.25 X 60MM                  | 2    |
| 16                                  | ANTI-SEIZE    | ANTI-SEIZE (NOT SHOWN)                                 | 1    |
| 17                                  | LP8           | LOCATING PIN (NOT SHOWN)                               | 2    |
| 18                                  | TS10          | THUMB SCREW (NOT SHOWN)                                | 1    |
| FOR REFERENCE ONLY - NOT FOR RESALE |               |  |      |

|   |  |   |                               |
|---|--|---|-------------------------------|
| <b>MILLIMETER</b>   |  |  |                               |
| WWW.5THAXIS.COM<br>7140 ENGINEER ROAD<br>SAN DIEGO, CA 92111<br>P (858) 505-0432      |  |   |                               |
| THIRD ANGLE PROJECTION  |  | DESCRIPTION   |                               |
|  |  | <b>SMALL DOUBLE STATION VISE WITH ALUMINUM SOFT JAWS</b>                              |                               |
|   |  | SIZE<br><b>B</b>  | PART NO.<br><b>DV75150-J2</b> |
| DO NOT SCALE DRAWING  |  | SCALE 1:2   | WEIGHT:                       |
|   |  | SHEET 2 OF 4  |                               |

8

7

6

5

4

3

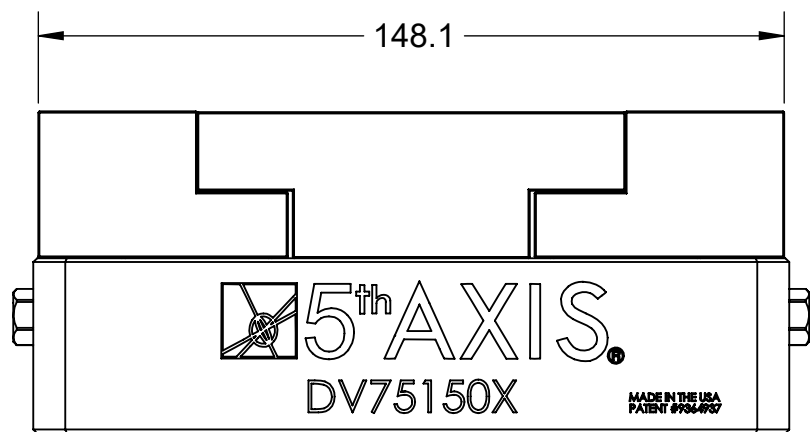
2

1

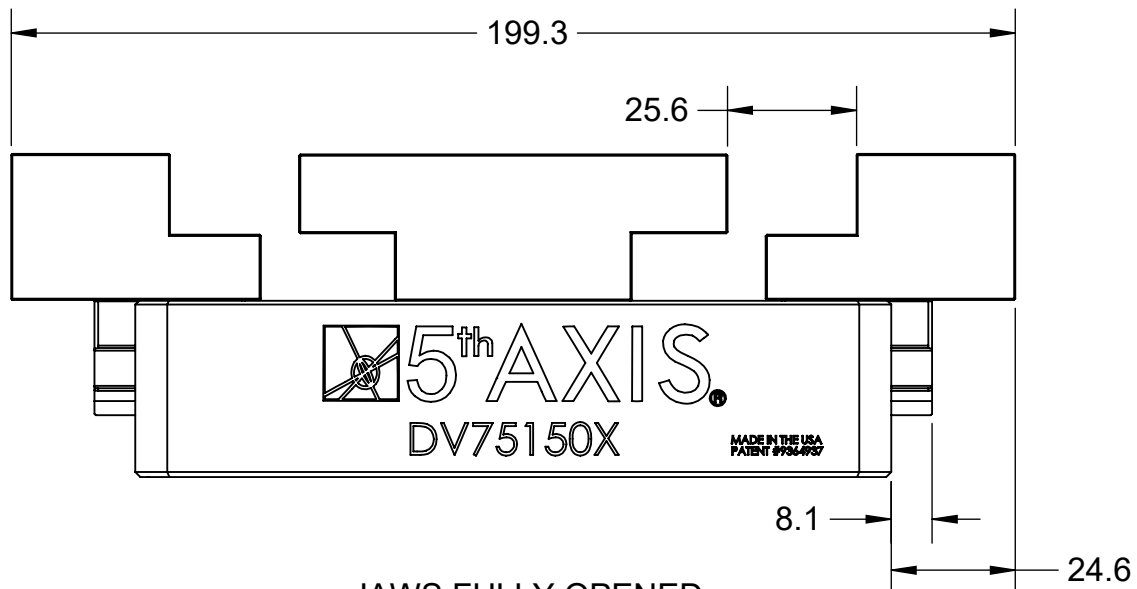
D

D

# DV75150-J2



JAWS FULLY CLOSED



JAWS FULLY OPENED

C

C

B

B

A

A

8

7

6


5

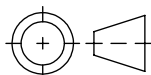
4

3

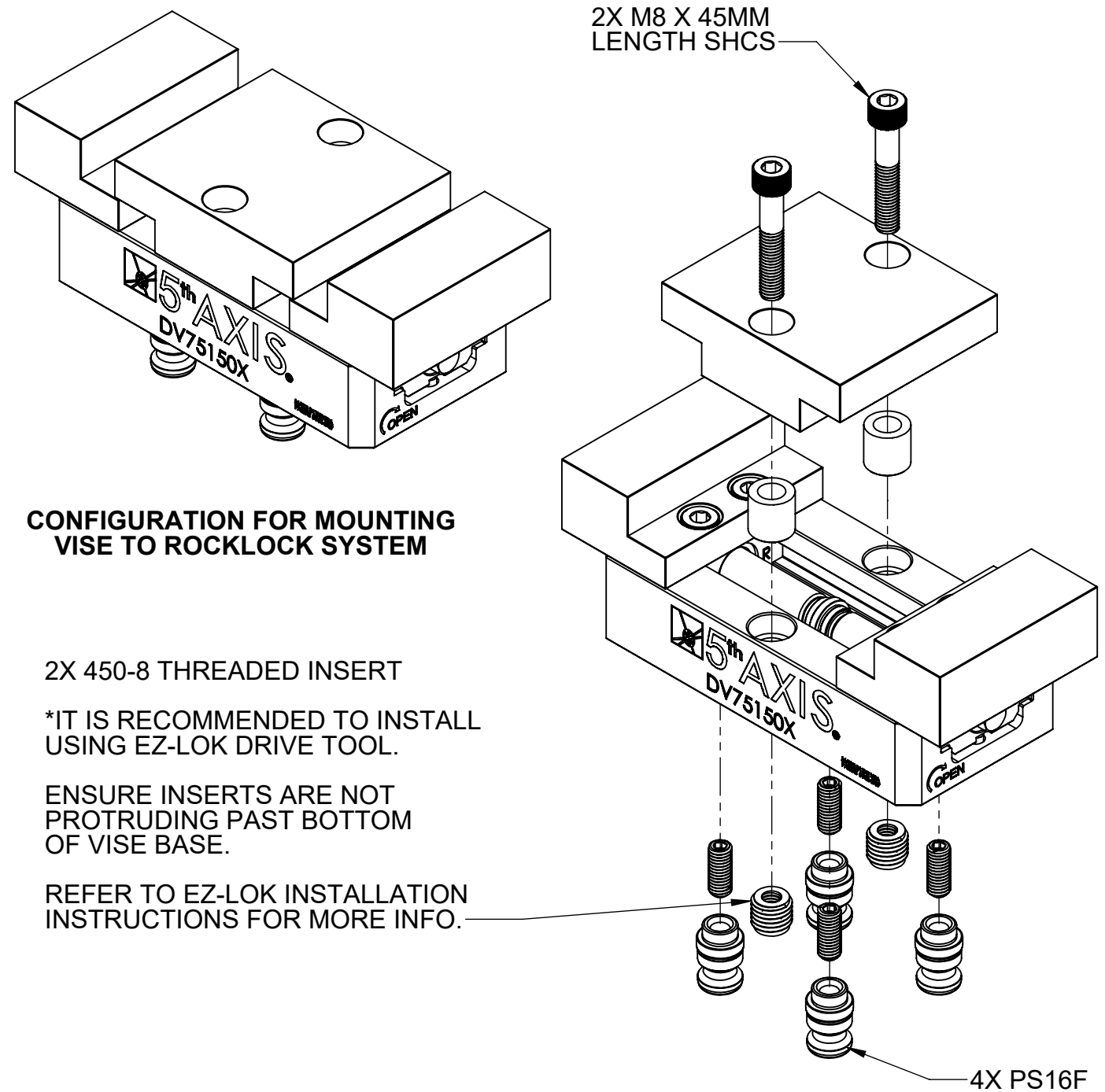
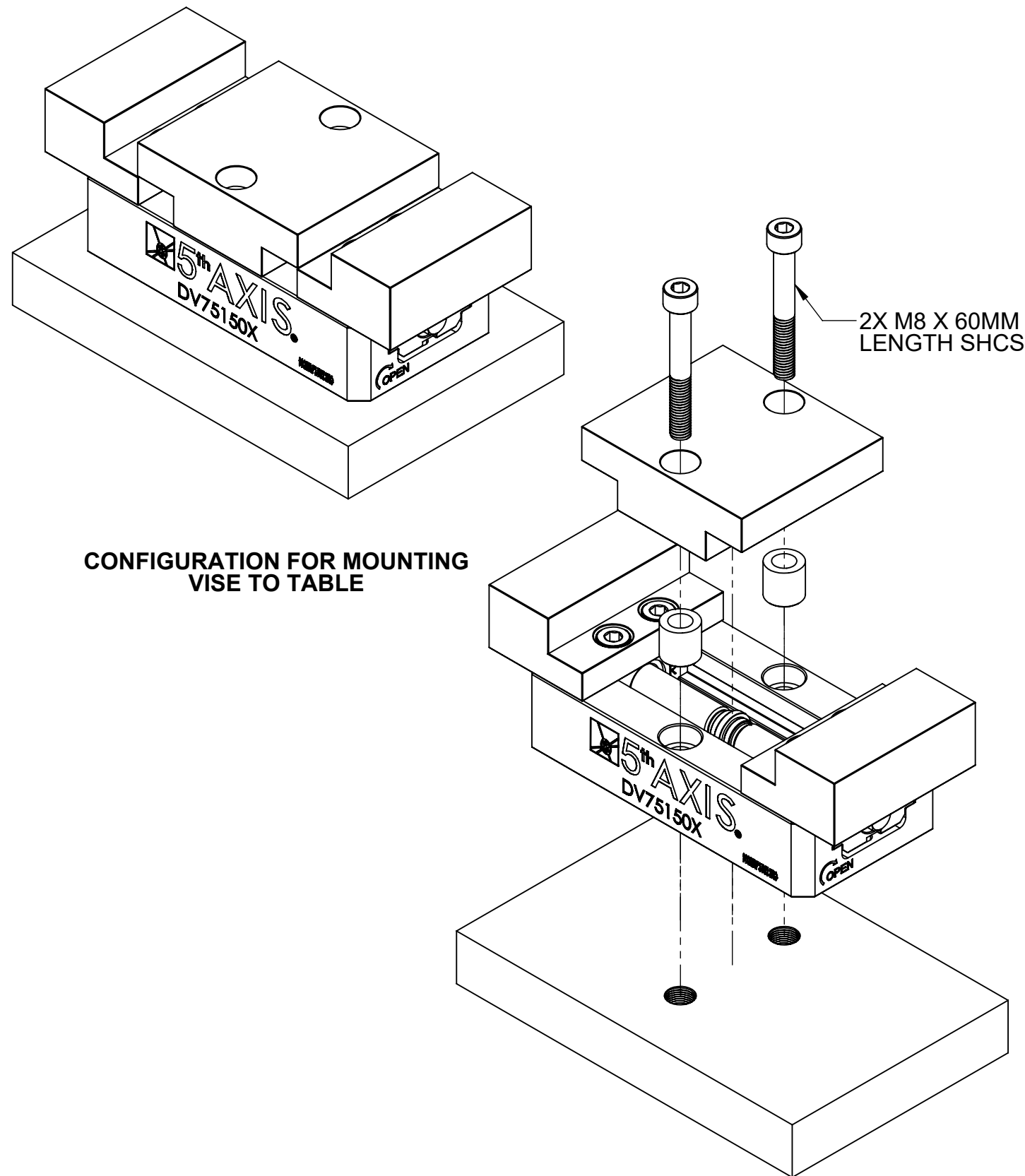
2


1

|   |  |   |          |
|---|--|---|----------|
| <b>MILLIMETER</b>                         |  |  |          |
| WWW.5THAXIS.COM                           |  | DESCRIPTION   |          |
| 7140 ENGINEER ROAD<br>SAN DIEGO, CA 92111 |  | <b>SMALL DOUBLE STATION VISE WITH ALUMINUM SOFT JAWS</b>                              |          |
| P (858) 505-0432                          |  | SIZE  | REV      |
| THIRD ANGLE PROJECTION                    |  | <b>B</b>  | <b>B</b> |
|   |  | PART NO. <b>DV75150-J2</b>  |          |
| DO NOT SCALE DRAWING                      |  | SCALE 1:1.5   | WEIGHT:  |
|   |  | SHEET 3 OF 4  |          |



# DV75150-J2



|  |                   |   |         |
|--|-------------------|---|---------|
| <b>MILLIMETER</b>  |                   |  |         |
| WWW.5THAXIS.COM<br>7140 ENGINEER ROAD<br>SAN DIEGO, CA 92111<br>P (858) 505-0432 |                   |   |         |
| THIRD ANGLE PROJECTION   |                   | DESCRIPTION<br><b>SMALL DOUBLE STATION VISE WITH ALUMINUM SOFT JAWS</b>               |         |
| SIZE   | PART NO.          | REV   |         |
| <b>B</b>   | <b>DV75150-J2</b> | <b>B</b>  |         |
| DO NOT SCALE DRAWING   |                   | SCALE 1:2   | WEIGHT: |
|  |                   | SHEET 4 OF 4  |         |