

8

7

6

5

4

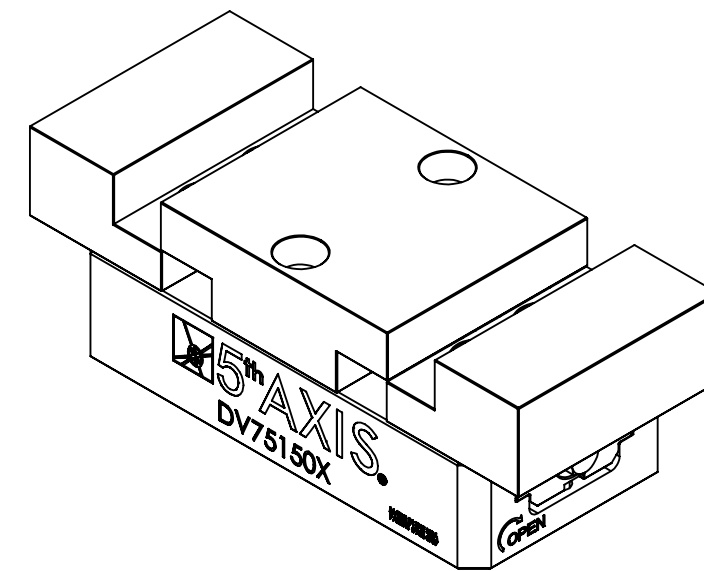
3

2

1

TECHNICAL DATA	DV75150-J3
JAW WIDTH	2.95" (75mm)
BASE LENGTH	5.91" (150mm)
MAXIMUM TORQUE (JAW BOLT)	20 ft-lb (27 Nm)
CLAMPING FORCE	5000 lbf @ 45 ft-lb (22 kN @ 60 Nm)
MAXIMUM TORQUE (LEADSCREW)	45 ft-lb (60 Nm)
MAXIMUM TORQUE (MOUNTING BOLT)	25 ft-lb (34 Nm)
SELF-CENTERING ACCURACY	± 0.0005" (± 12.7µm)

DV75150-J3



D

D

C

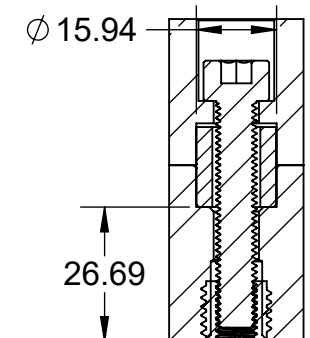
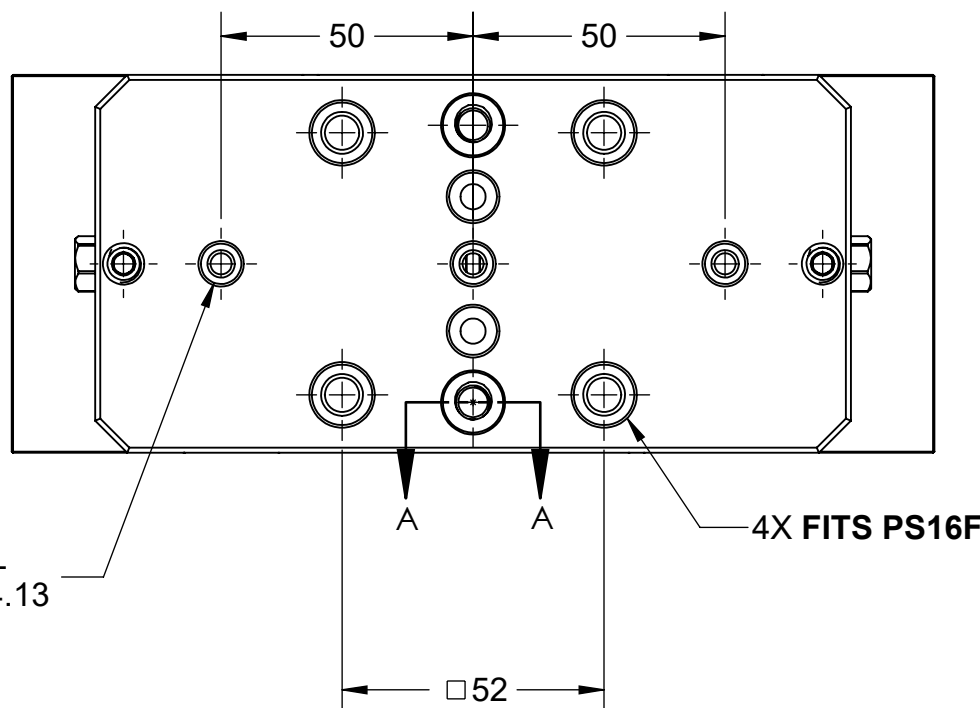
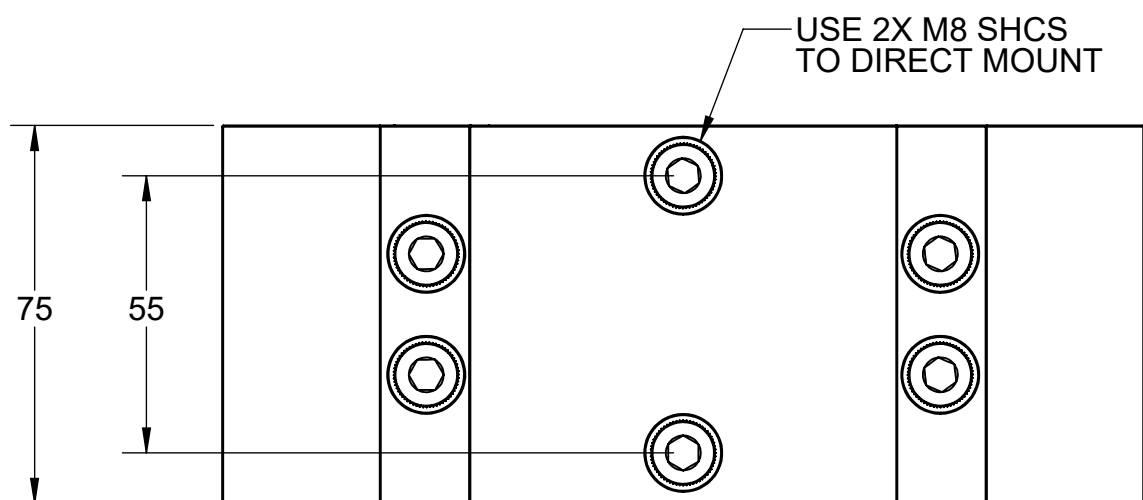
C

B

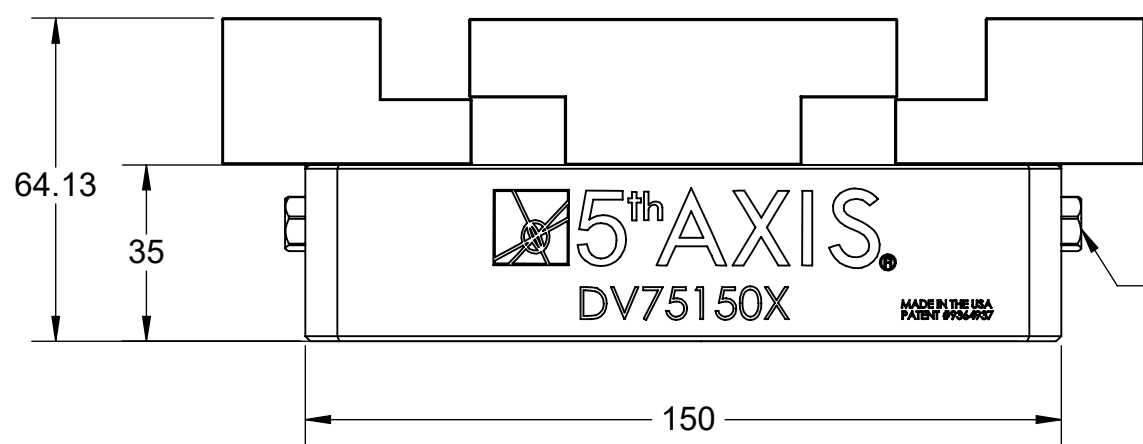
B

A

A



SECTION A-A



MILLIMETER WWW.5THAXIS.COM 7140 ENGINEER ROAD SAN DIEGO, CA 92111 P (858) 505-0432 THIRD ANGLE PROJECTION			
	DESCRIPTION SMALL DOUBLE STATION VISE WITH STEEL SOFT JAWS		
SIZE B	PART NO. DV75150-J3		REV B
DO NOT SCALE DRAWING		SCALE 1:1.5	WEIGHT:
			SHEET 1 OF 4

8

7

6

5

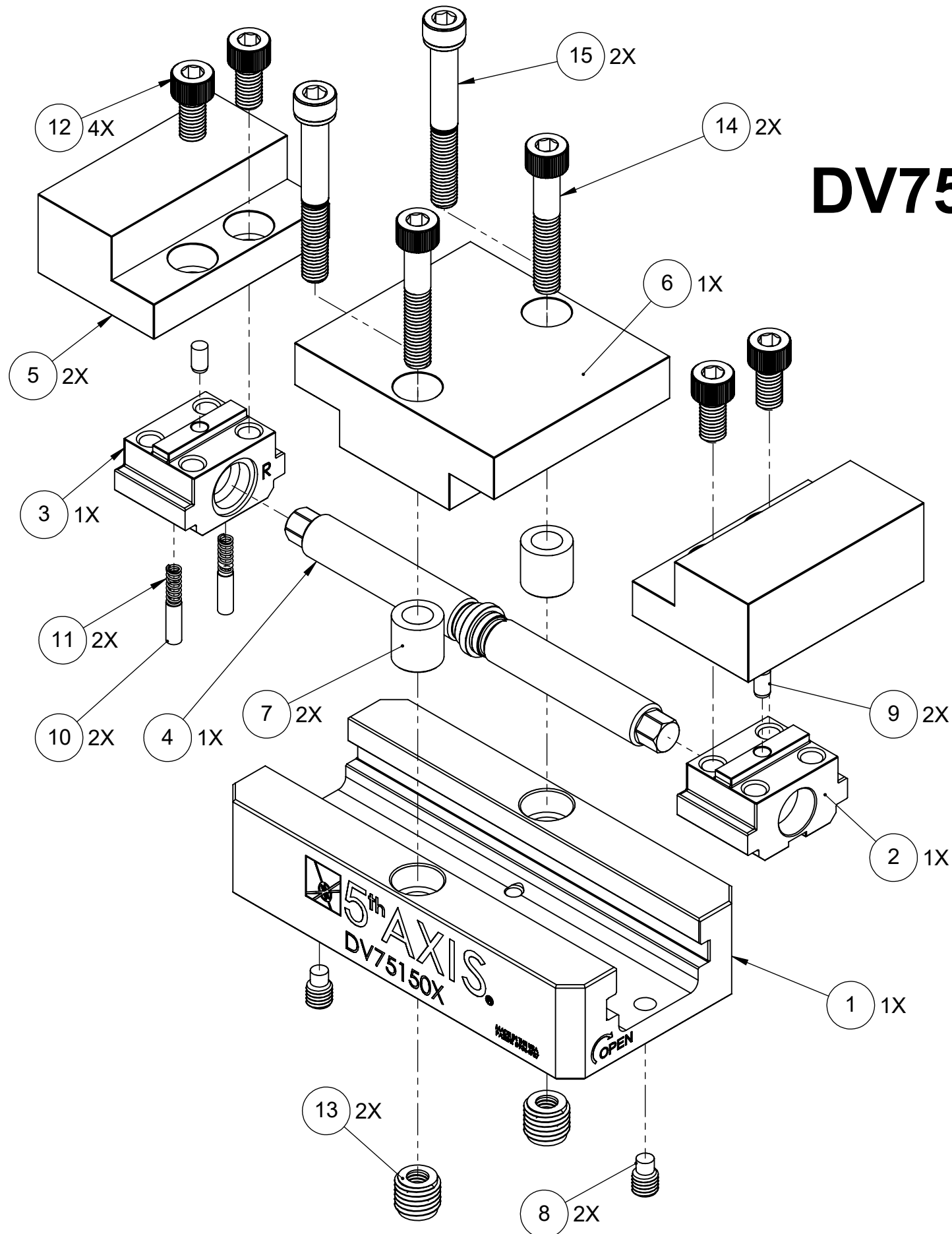
4

3

2

1

DV75150-J3



ITEM NO.	PART NUMBER	DESCRIPTION	QTY.
1	V75150-1DV	BASE, 75mm X 150mm, SELF CENTERING VISE	1
2	V75100X-2L	LEFT TRUCK	1
3	V75100X-2R	RIGHT TRUCK	1
4	V75150-4	LEAD SCREW	1
5	VSJ-DV75150-M	MACHINABLE JAW, DV75150X, ALUMINUM, MOVABLE	2
6	VSJ-DV75150-F	MACHINABLE JAW, DV75150X, ALUMINUM, FIXED	1
7	-	PRESS-FIT DRILL BUSHING, 0.375" ID, 5/8" OD, 5/8" LONG	2
8	M8X12.EPSS	LOCATING PIN	2
9	M5X10.DP	DOWEL PIN, Ø5 X 10mm	2
10	0187.FP	FRICITION PIN	2
11	-	COMPRESSION SPRINGS, 0.5" LONG, 0.18" OD, 0.132" ID	2
12	-	SOCKET HEAD SCREW, M8x1.25x16mm	4
13	450-8	THREADED INSERT	2
14	-	SOCKET HEAD SCREW, M8x1.25x45mm	2
15	-	SOCKET HEAD CAP SCREW, M8-1.25 X 60MM	2
16	ANTI-SEIZE	ANTI-SEIZE (NOT SHOWN)	1
17	LP8	LOCATING PIN (NOT SHOWN)	2
18	TS10	THUMB SCREW (NOT SHOWN)	1

FOR REFERENCE ONLY - NOT FOR RESALE

MILLIMETER WWW.5THAXIS.COM 7140 ENGINEER ROAD SAN DIEGO, CA 92111 P (858) 505-0432			
	DESCRIPTION SMALL DOUBLE STATION VISE WITH STEEL SOFT JAWS		
THIRD ANGLE PROJECTION 	SIZE B	PART NO. DV75150-J3	REV B
DO NOT SCALE DRAWING		SCALE 1:2	WEIGHT:
		SHEET 2 OF 4	

8

7

6

5

4

3

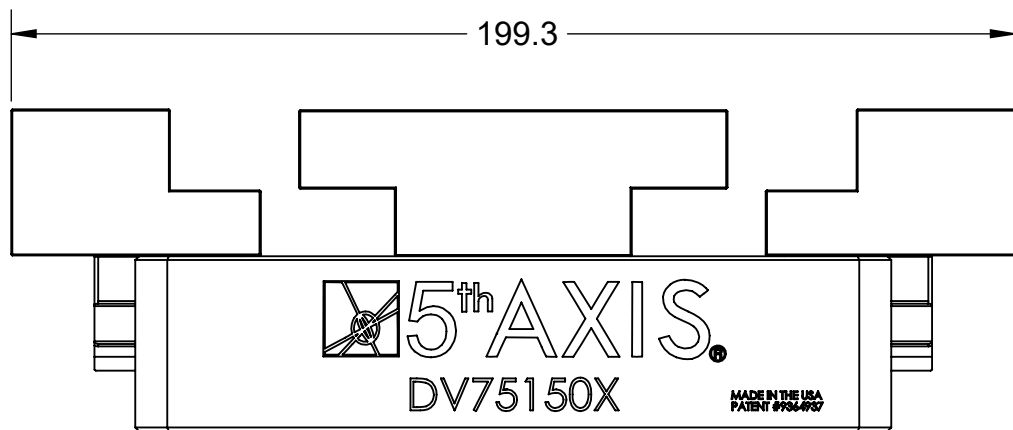
2

1

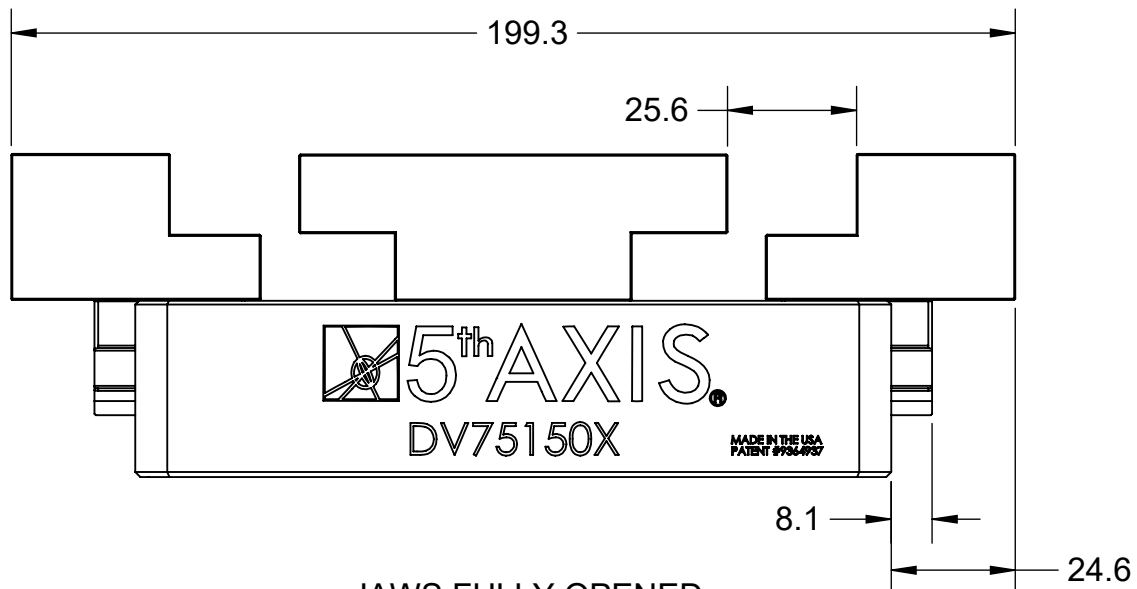
D

D

DV75150-J3



JAWS FULLY CLOSED



JAWS FULLY OPENED

C

C

B

B

A

A

8

7

6


5

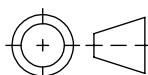
4

3

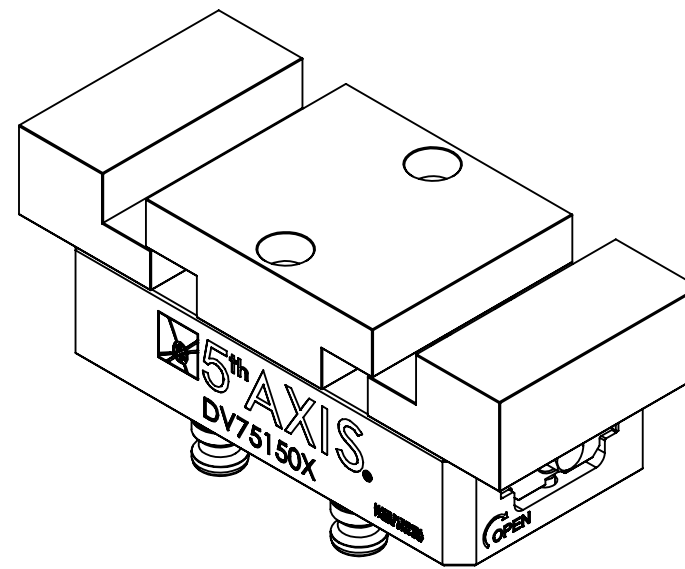
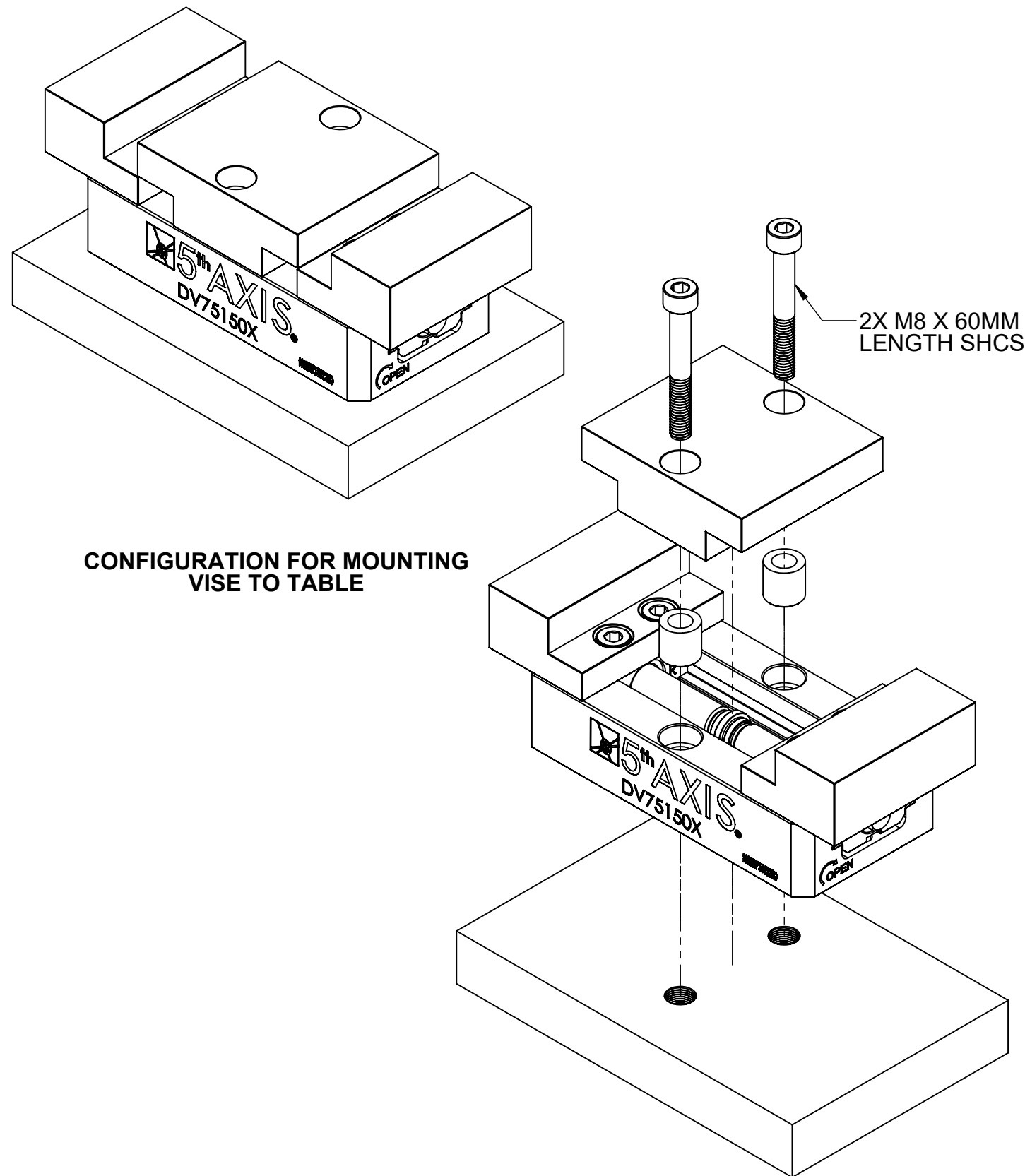
2

1

MILLIMETER				
WWW.5THAXIS.COM		DESCRIPTION SMALL DOUBLE STATION VISE WITH STEEL SOFT JAWS		
7140 ENGINEER ROAD SAN DIEGO, CA 92111 P (858) 505-0432				
THIRD ANGLE PROJECTION		SIZE B	PART NO. DV75150-J3	REV B
		DO NOT SCALE DRAWING	SCALE 1:1.5	WEIGHT:
				SHEET 3 OF 4



DV75150-J3



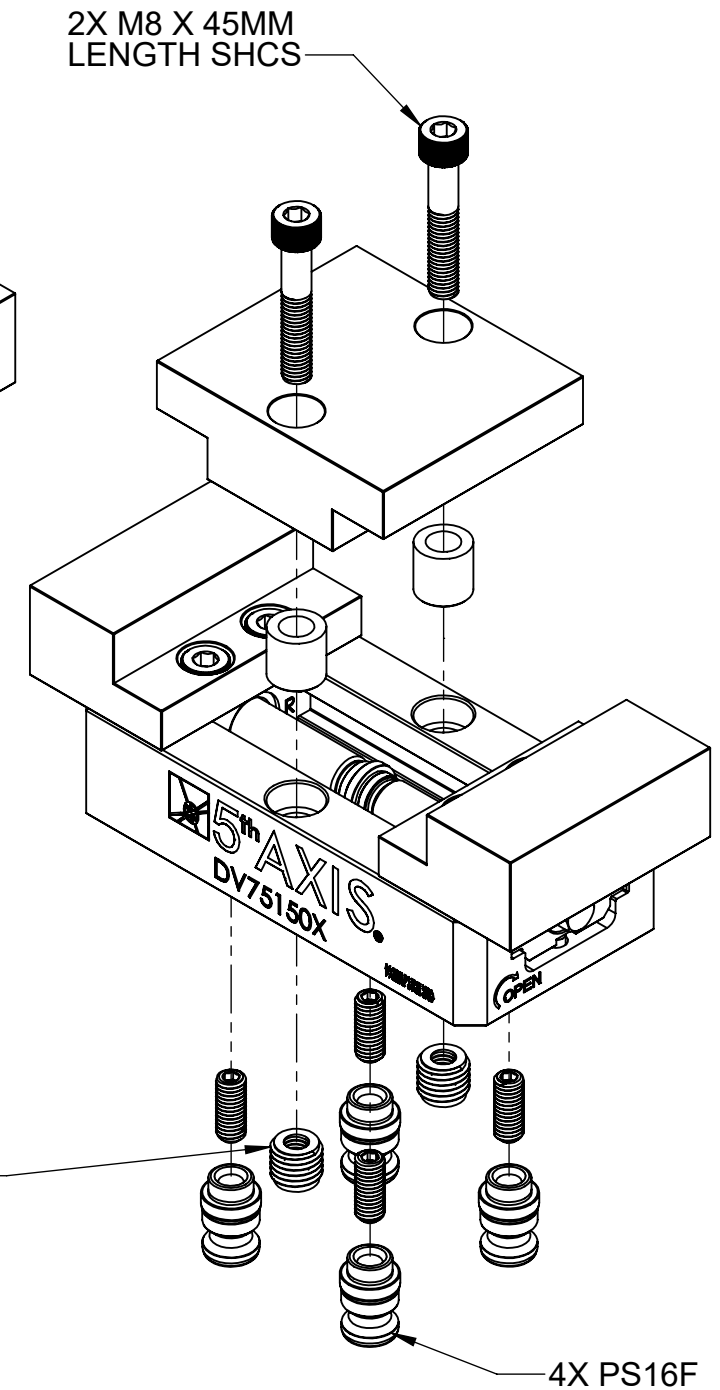
CONFIGURATION FOR MOUNTING VISE TO ROCKLOCK SYSTEM


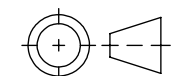
2X 450-8 THREADED INSERT

*IT IS RECOMMENDED TO INSTALL USING EZ-LOK DRIVE TOOL.

ENSURE INSERTS ARE NOT PROTRUDING PAST BOTTOM OF VISE BASE.

REFER TO EZ-LOK INSTALLATION INSTRUCTIONS FOR MORE INFO.



MILLIMETER			
WWW.5THAXIS.COM 7140 ENGINEER ROAD SAN DIEGO, CA 92111 P (858) 505-0432			
THIRD ANGLE PROJECTION		DESCRIPTION	
		SMALL DOUBLE STATION VISE WITH STEEL SOFT JAWS	
SIZE	PART NO.	REV	
B	DV75150-J3	B	
DO NOT SCALE DRAWING		SCALE 1:2	WEIGHT:
			SHEET 4 OF 4