

8

7

6

5

4

3

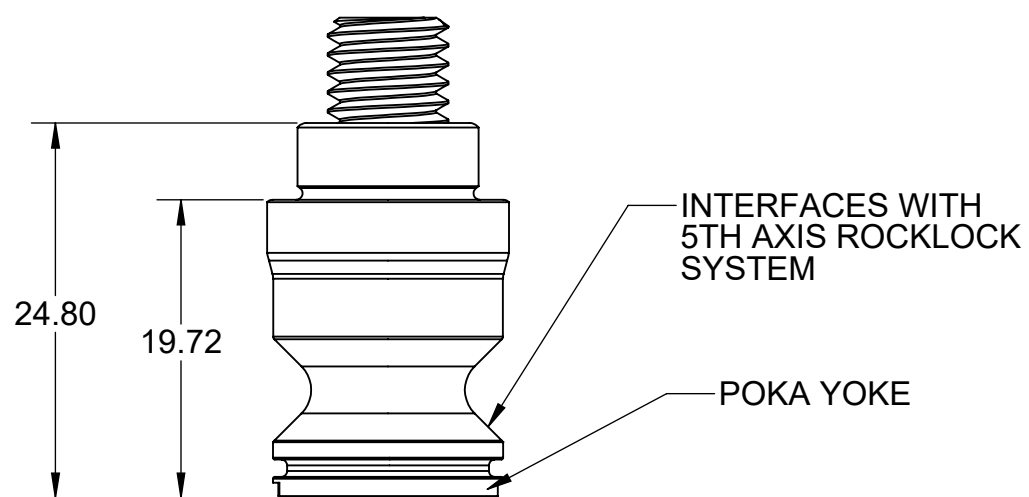
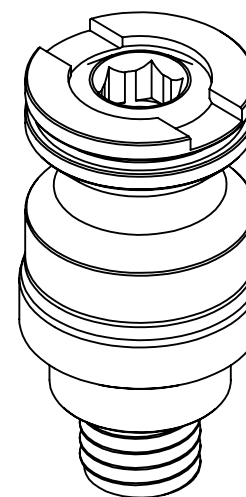
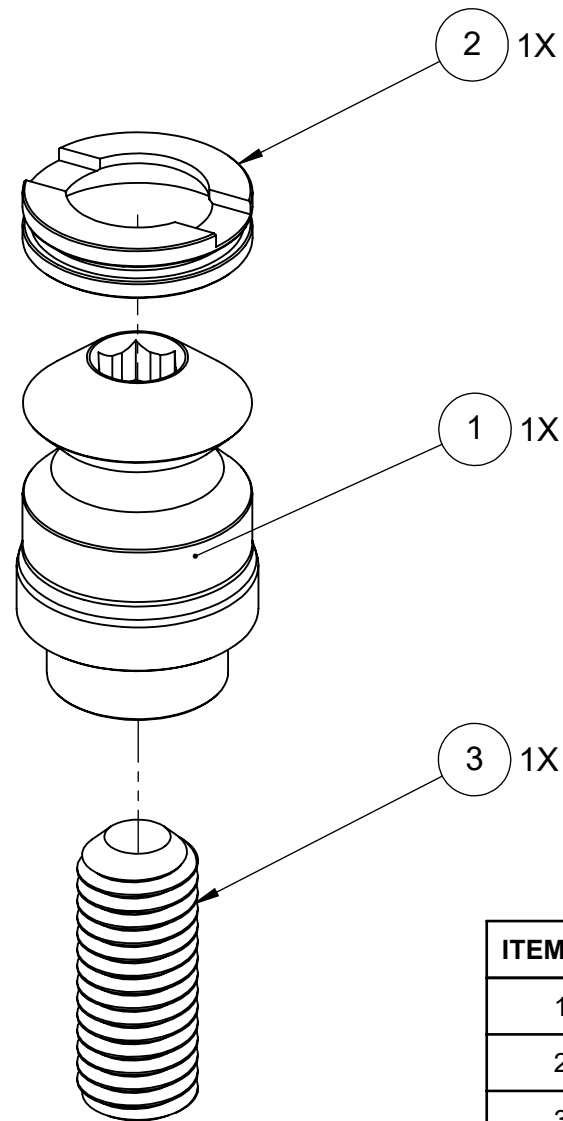
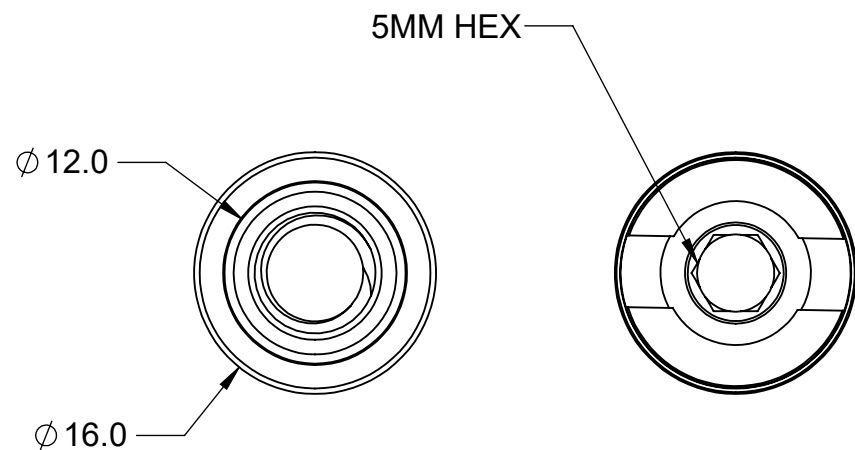
2

1

D

D

PS16F-PY



ITEM NO.	PART NUMBER	DESCRIPTION	QTY.
1	PS16F-PY-1	PULL STUD BODY	1
2	RL52-PY	POKA YOKE	1
3	-	FLAT-POINT SET SCREW, M8x1.25x20mm	1
FOR REFERENCE ONLY - NOT FOR RESALE			

C

C

B

B

A

A

8

7

6


5

4

3

2

1

MILLIMETER			
WWW.5THAXIS.COM		DESCRIPTION POKA YOKE PULL STUD	
7140 ENGINEER ROAD SAN DIEGO, CA 92111 P (858) 505-0432			
THIRD ANGLE PROJECTION	SIZE B	PART NO. PS16F-PY	REV B
DO NOT SCALE DRAWING		SCALE 2:1	WEIGHT:
			SHEET 1 OF 1

