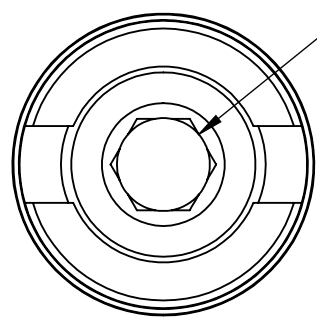
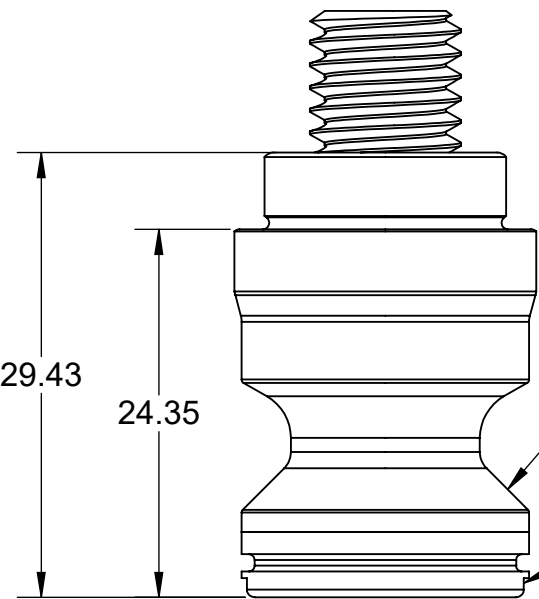
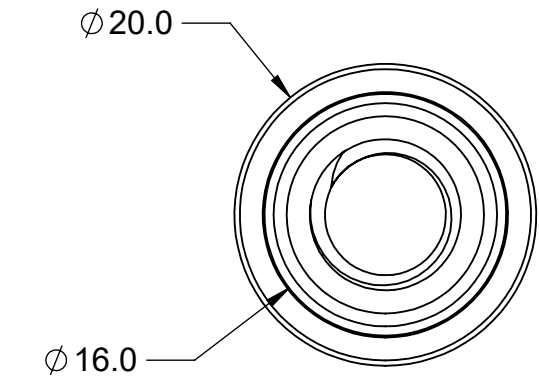


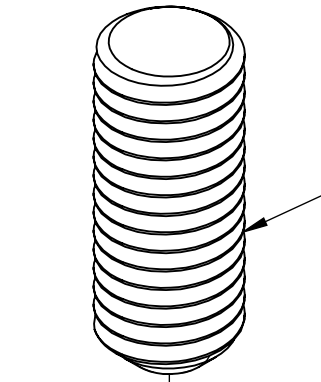
PS20F-PY



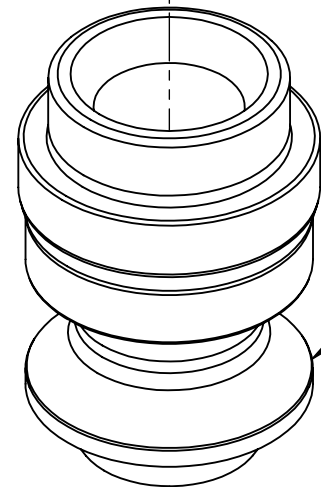
INTERFACES WITH
5TH AXIS ROCKLOCK
SYSTEM

POKA YOKE

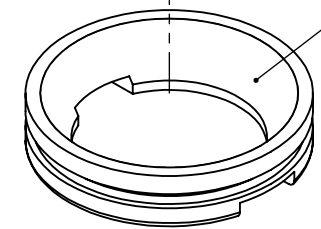
6MM HEX



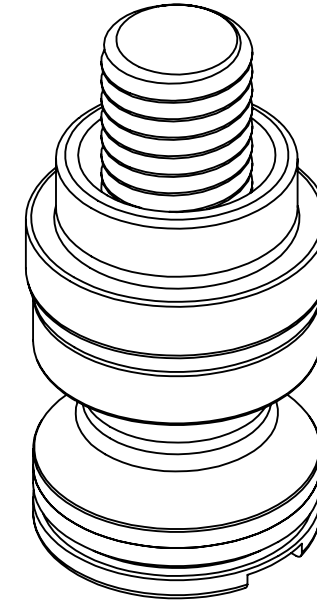
3 1X



1 1X



2 1X



ITEM NO.	PART NUMBER	DESCRIPTION	QTY.
1	PS20F-PY-1	PULL STUD BODY	1
2	RL96-PY	POKA YOKE	1
3	-	FLAT POINT SET SCREW, M10x1.5x25mm	1

FOR REFERENCE ONLY - NOT FOR RESALE

MILLIMETER				
WWW.5THAXIS.COM 7140 ENGINEER ROAD SAN DIEGO, CA 92111 P (858) 505-0432				
THIRD ANGLE PROJECTION		DESCRIPTION	POKA YOKE PULL STUD	
SIZE	PART NO.	PS20F-PY		REV
B				B
DO NOT SCALE DRAWING		SCALE 2:1	WEIGHT:	SHEET 1 OF 1