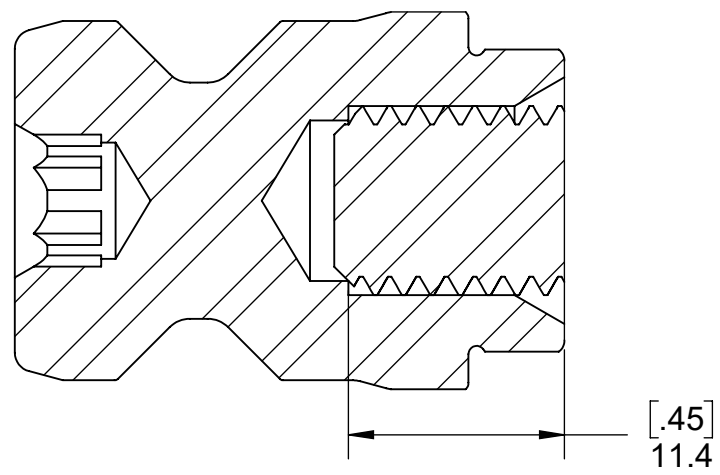
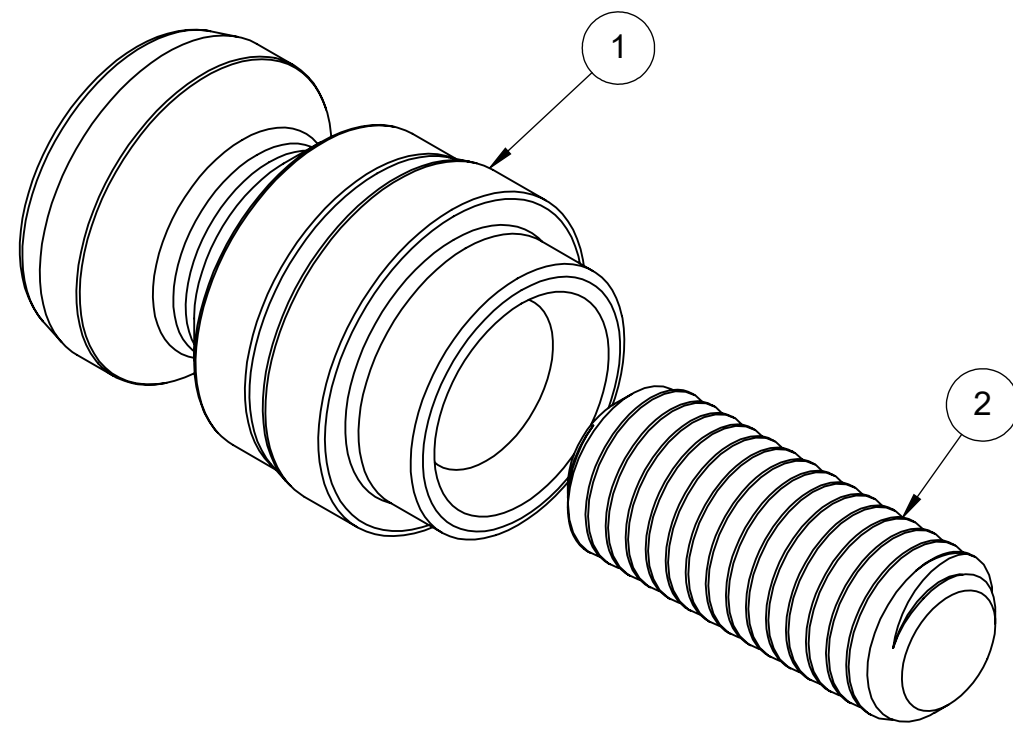
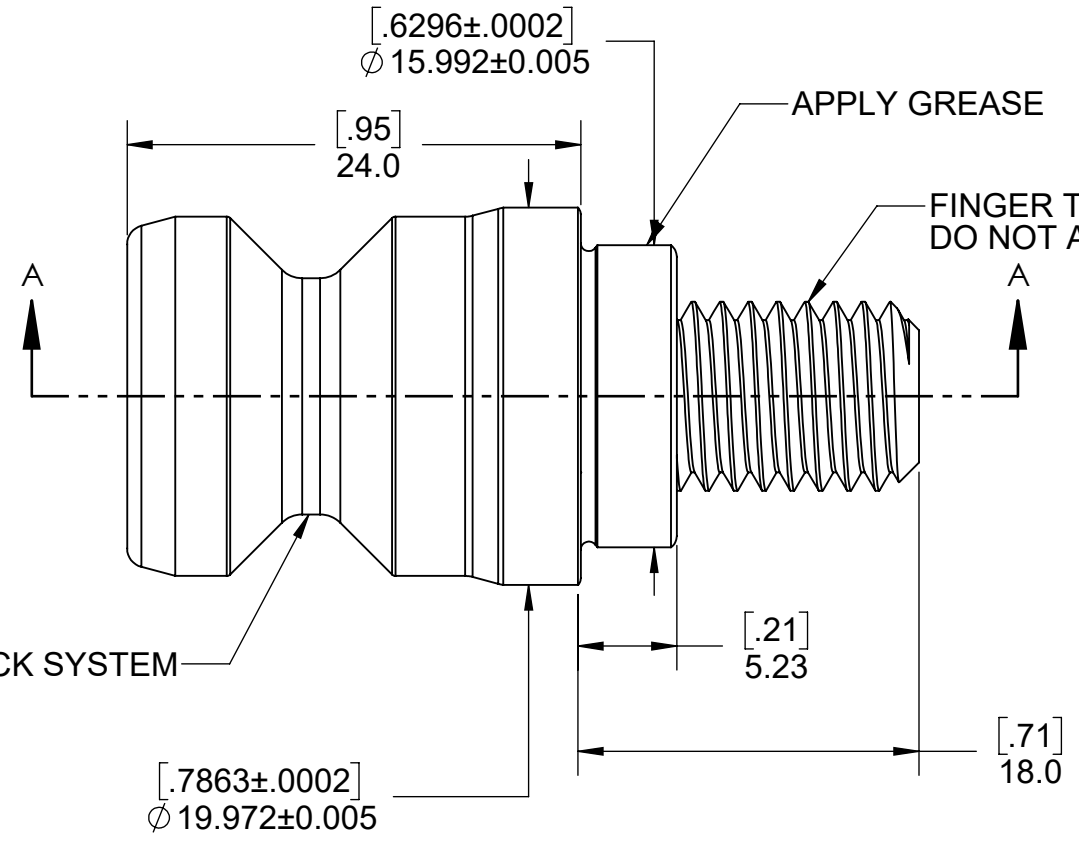
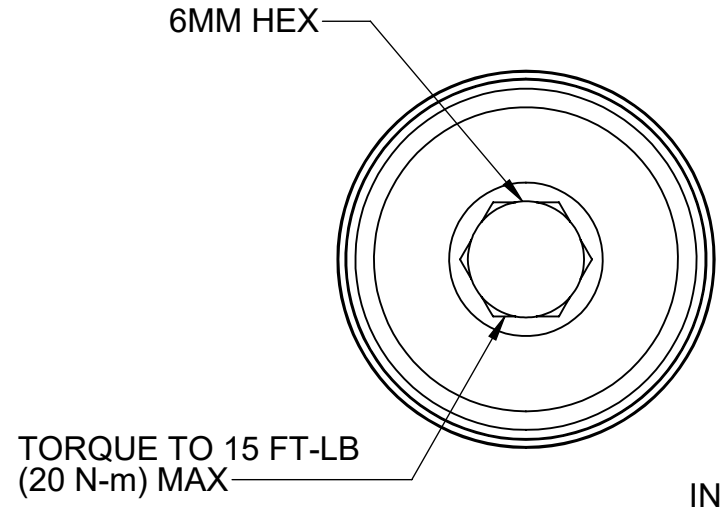
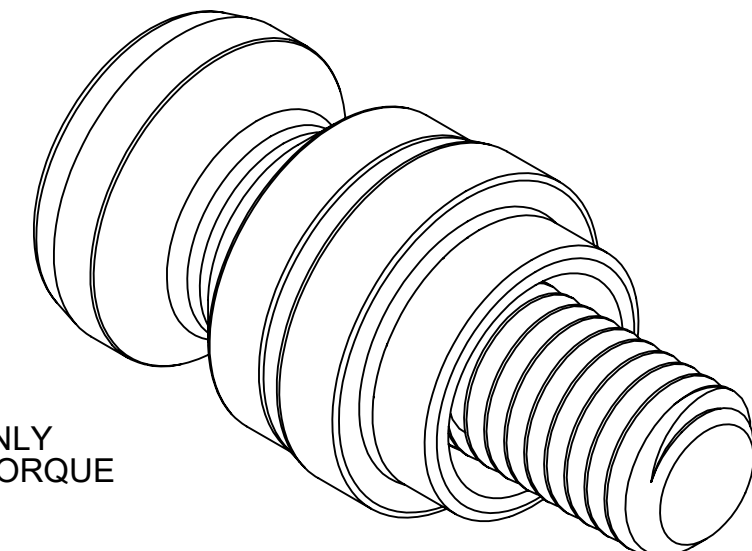


MATERIAL: AISI 8620
 COMPATIBLE WITH OTHER 96MM TOP TOOLING SYSTEM

PS20F



ITEM NO.	PART NUMBER	DESCRIPTION	QTY.
1	PS20F-1	PULL STUD, ROCKLOCK 96MM	1
2	M10X025.FPSS	FLAT POINT SET SCREW, M10-1.5 THREAD, 25MM LENGTH	1

MILLIMETER				
WWW.5THAXIS.COM 7140 ENGINEER ROAD SAN DIEGO, CA 92111 P (858) 505-0432				
THIRD ANGLE PROJECTION		DESCRIPTION	PULL STUD, ROCKLOCK 96MM	
SIZE	PART NO.	REV		
B	PS20F	B		
DO NOT SCALE DRAWING		SCALE 2.5:1	WEIGHT:	SHEET 1 OF 1