

8

7

6

5

4

3

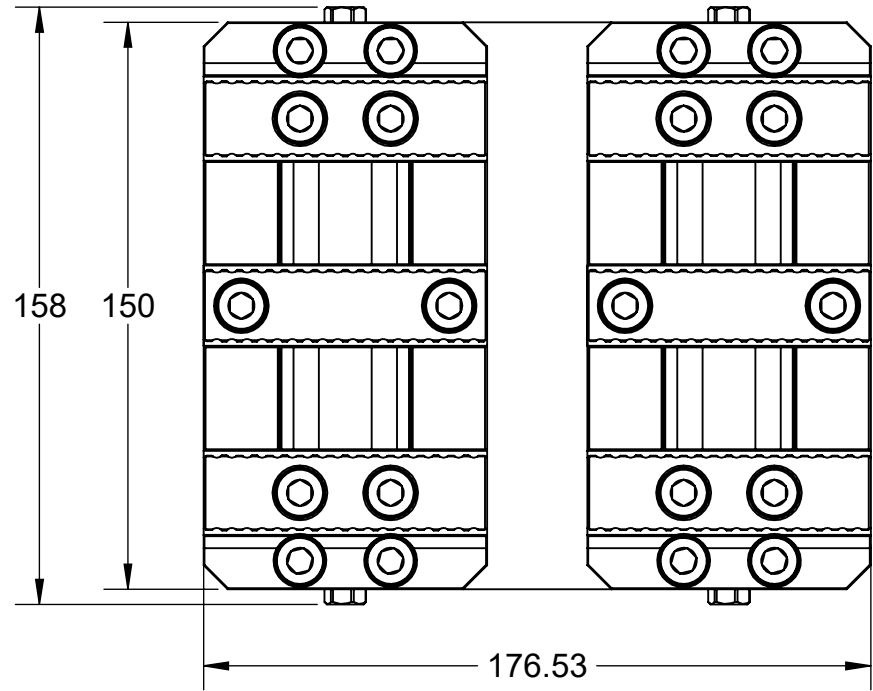
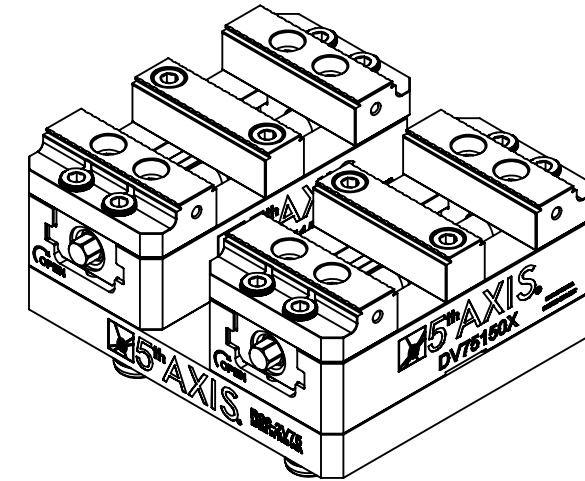
2

1

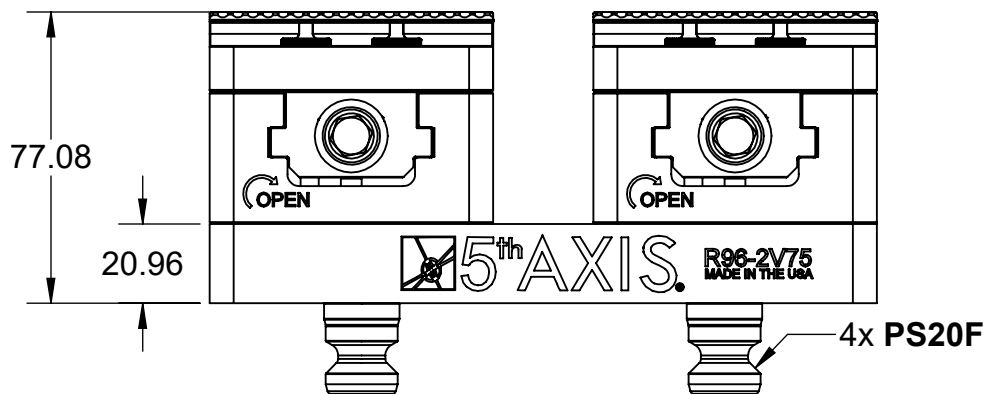
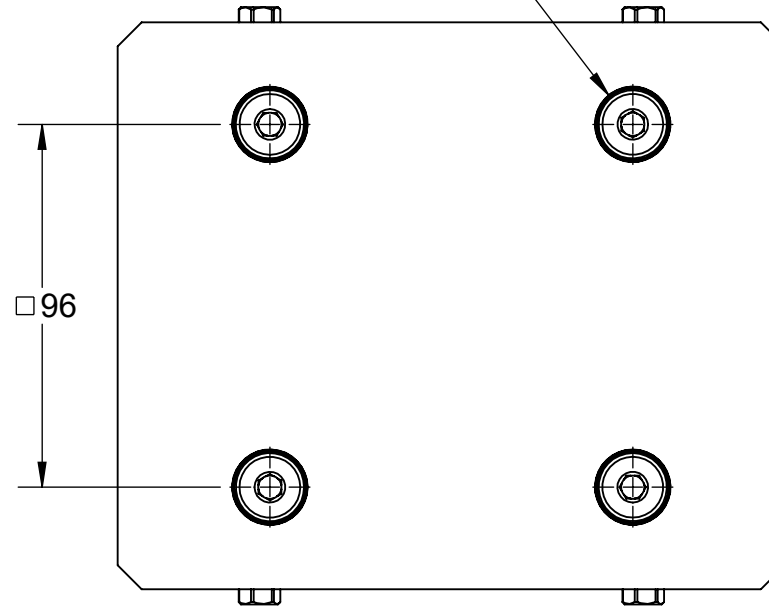
D

D

R96-2DV75150X-J1



4x PS20F INCLUDED




B

B

A

A

MILLIMETER				
WWW.5THAXIS.COM 7140 ENGINEER ROAD SAN DIEGO, CA 92111 P (858) 505-0432				
THIRD ANGLE PROJECTION		DESCRIPTION	DOUBLE STATION VISE TOP TOOLING	
SIZE	PART NO.	R96-2DV75150X-J1		REV
B				B
DO NOT SCALE DRAWING		SCALE 1:2	WEIGHT: 6.66kg	SHEET 1 OF 2

8

7

6

5

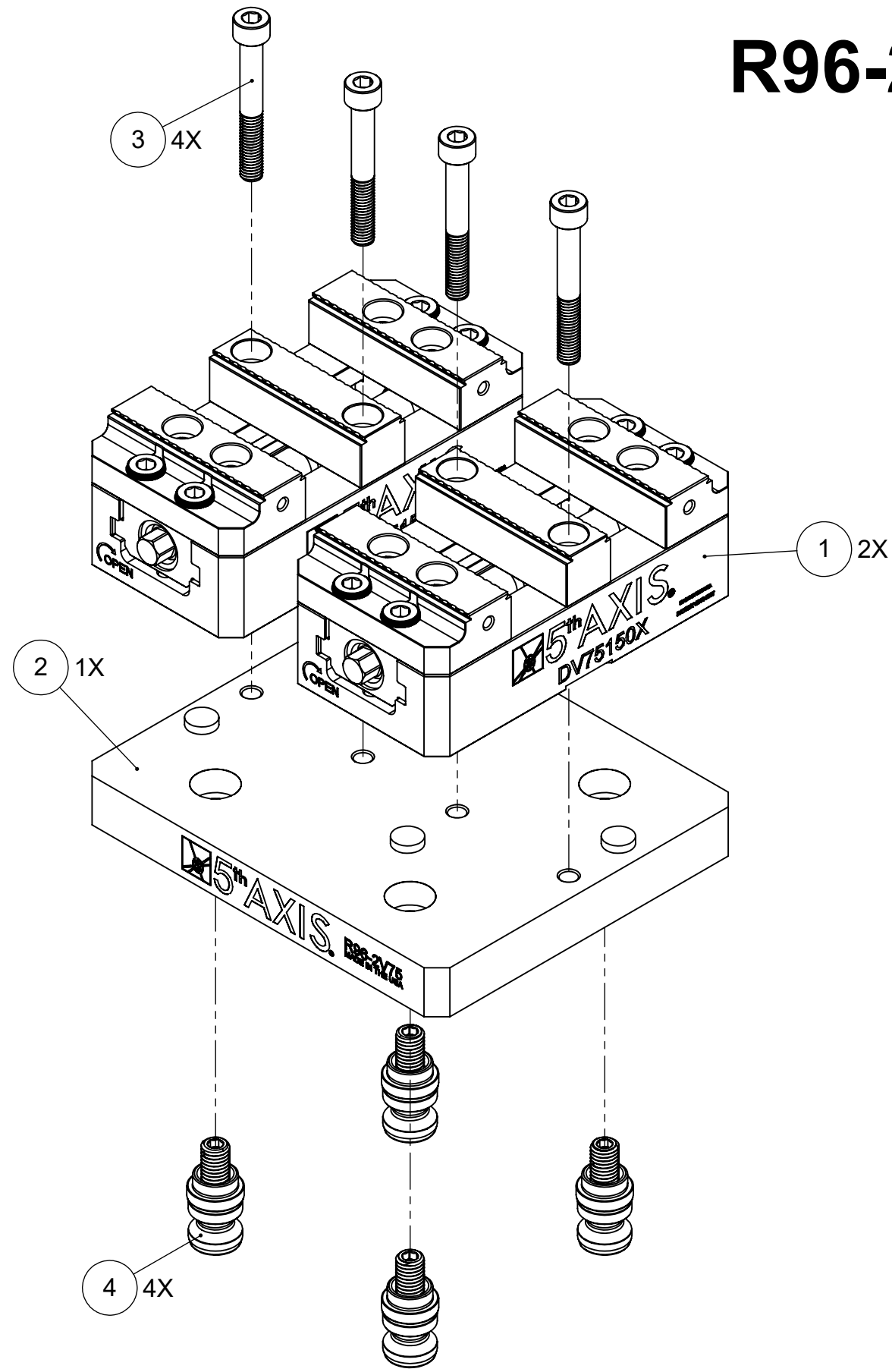
4

3


2

1

R96-2DV75150X-J1



ITEM NO.	PART NUMBER	DESCRIPTION	QTY.
1	DV75150X-J1	DOUBLE STATION VISE	2
2	R96-2V75X-1	ADAPTER	1
3	-	SOCKET HEAD SCREW, M8x1.25x60mm	4
4	PS20F	96mm PULL STUD	4
FOR REFERENCE ONLY - NOT FOR RESALE			

MILLIMETER				
WWW.5THAXIS.COM 7140 ENGINEER ROAD SAN DIEGO, CA 92111 P (858) 505-0432				
THIRD ANGLE PROJECTION		DESCRIPTION	DOUBLE STATION VISE TOP TOOLING	
SIZE	PART NO.	R96-2DV75150X-J1		REV
B				B
DO NOT SCALE DRAWING		SCALE 1:2	WEIGHT:	SHEET 2 OF 2