

8

7

6

5

4

3

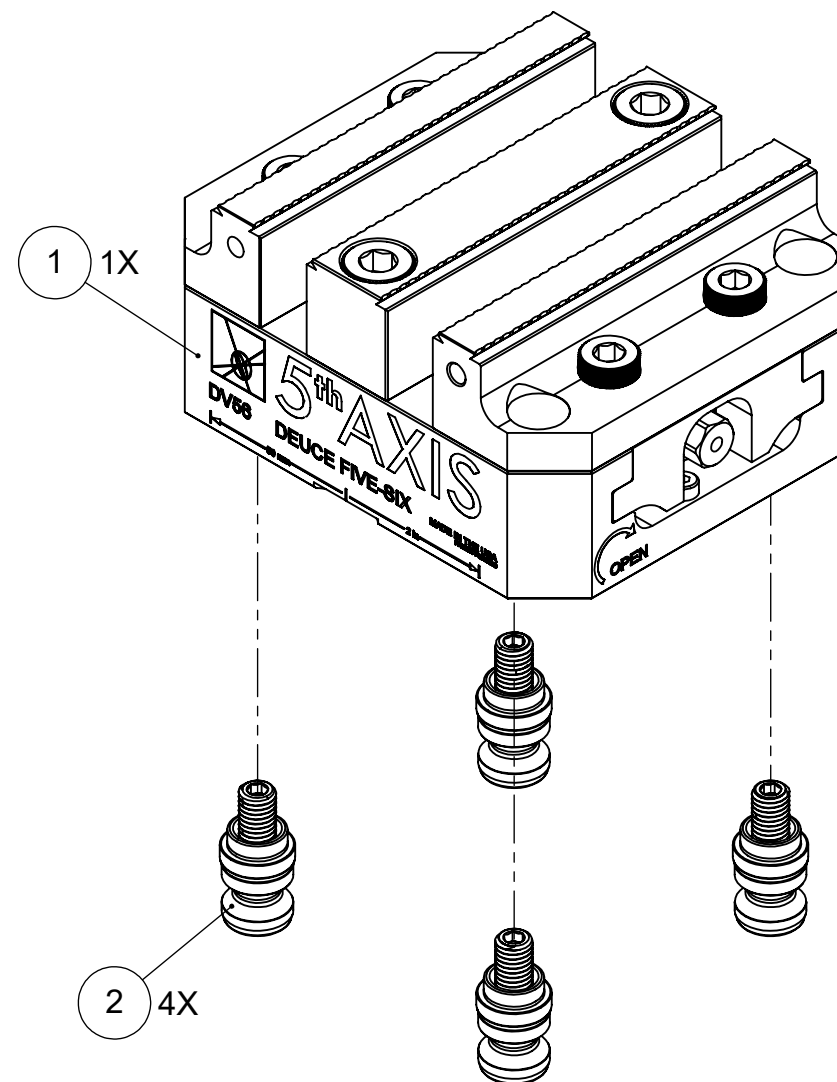
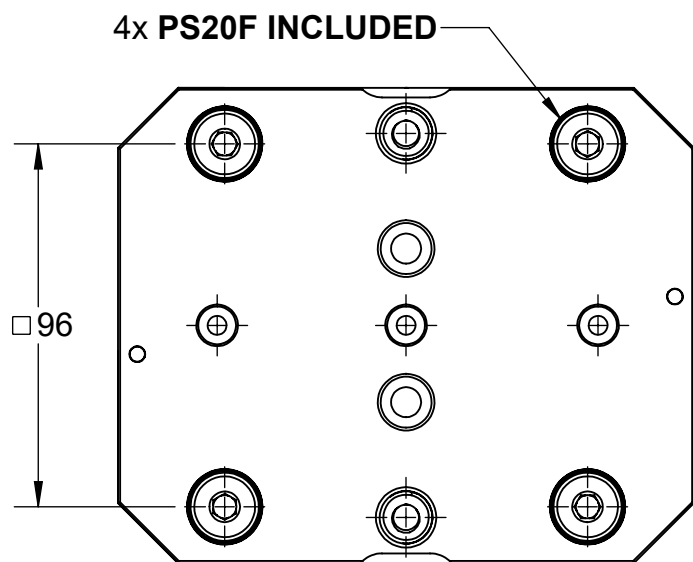
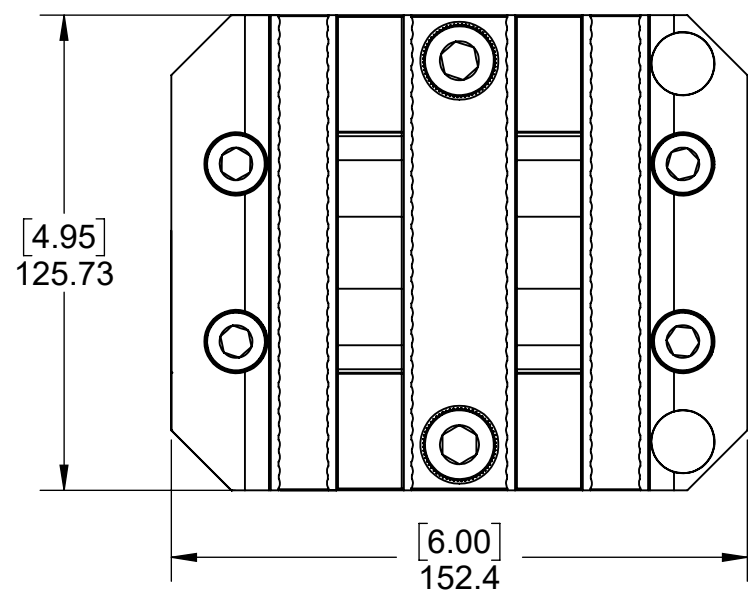
2

1

D

D

# R96-DV56-J1

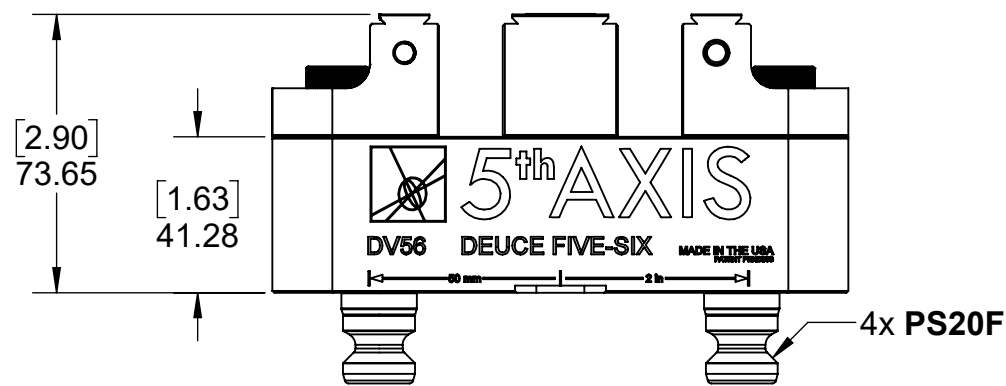


C

C

B

B



ITEM NO.	PART NUMBER	DESCRIPTION	QTY.
1	DV56-J1	DOUBLE STATION VISE	1
2	PS20F	96mm PULL STUD	4
FOR REFERENCE ONLY - NOT FOR RESALE			

A

A

<b>MILLIMETER</b>			
WWW.5THAXIS.COM			
7140 ENGINEER ROAD SAN DIEGO, CA 92111 P (858) 505-0432		DESCRIPTION <b>MEDIUM DOUBLE STATION VISE TOP TOOLING</b>	
THIRD ANGLE PROJECTION	SIZE <b>B</b>	PART NO. <b>R96-DV56-J1</b>	REV <b>B</b>
DO NOT SCALE DRAWING		SCALE 1:2	WEIGHT: 6.81 kg
		SHEET 1 OF 1	

8

7

6

5

4

3

2

1