

8

7

6

5

4

3

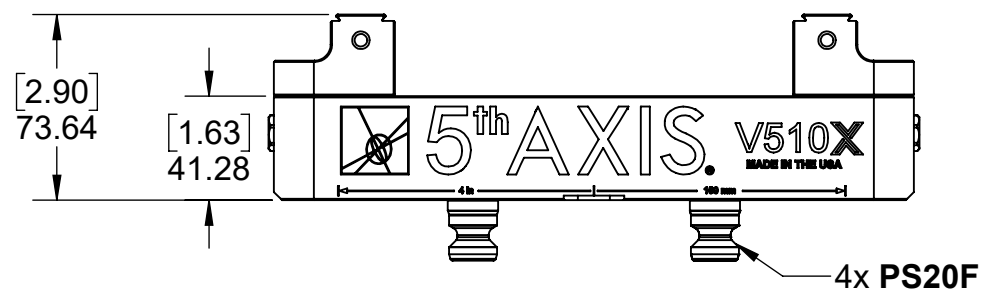
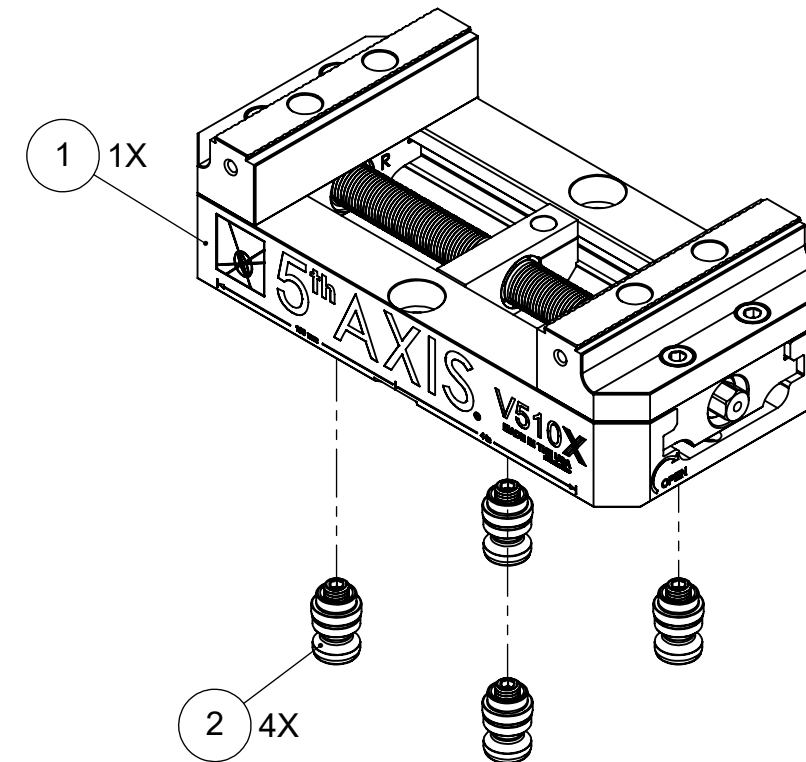
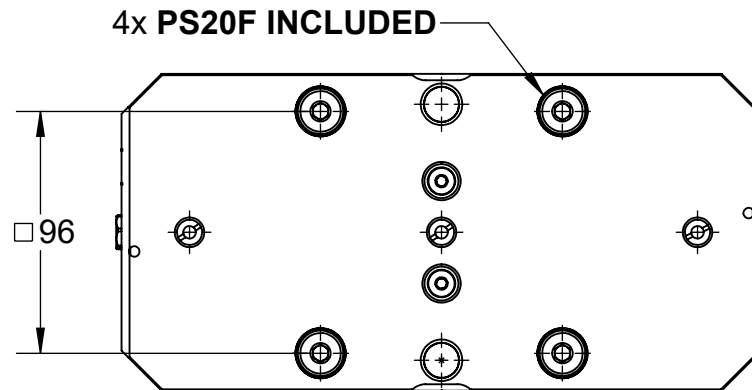
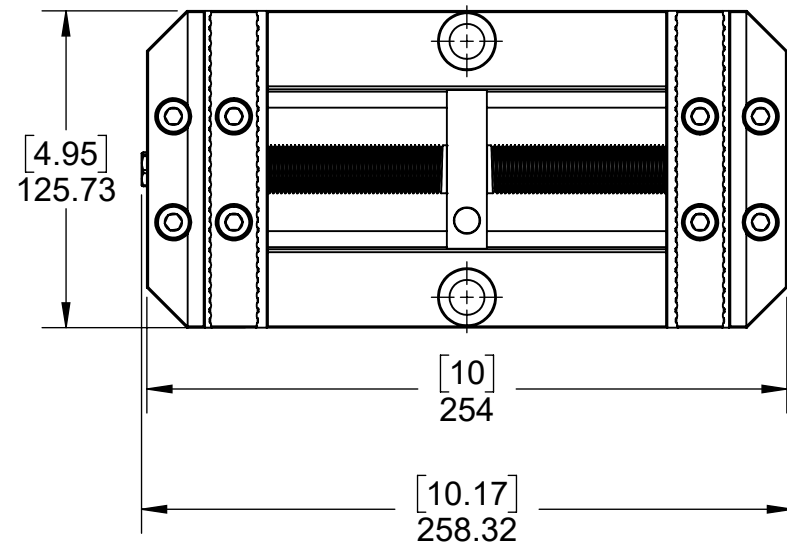
2

1

D

D

R96-V510X




ITEM NO.	PART NUMBER	DESCRIPTION	QTY.
1	V510X	SELF-CENTERING VISE	1
2	PS20F	96mm PULL STUD	4
FOR REFERENCE ONLY - NOT FOR RESALE			

B

B

A

A

MILLIMETER WWW.5THAXIS.COM 7140 ENGINEER ROAD SAN DIEGO, CA 92111 P (858) 505-0432			
	DESCRIPTION MEDIUM SELF-CENTERING VISE TOP TOOLING		
THIRD ANGLE PROJECTION	SIZE B	PART NO. R96-V510X	REV B
DO NOT SCALE DRAWING	SCALE 1:3	WEIGHT: 7.20 kg	SHEET 1 OF 1

8

7

6

5

4

3

2

1