

8

7

6

5

4

3

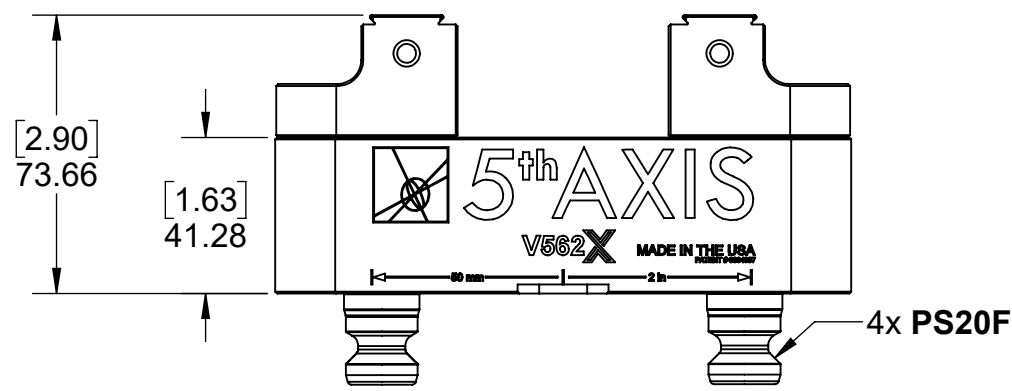
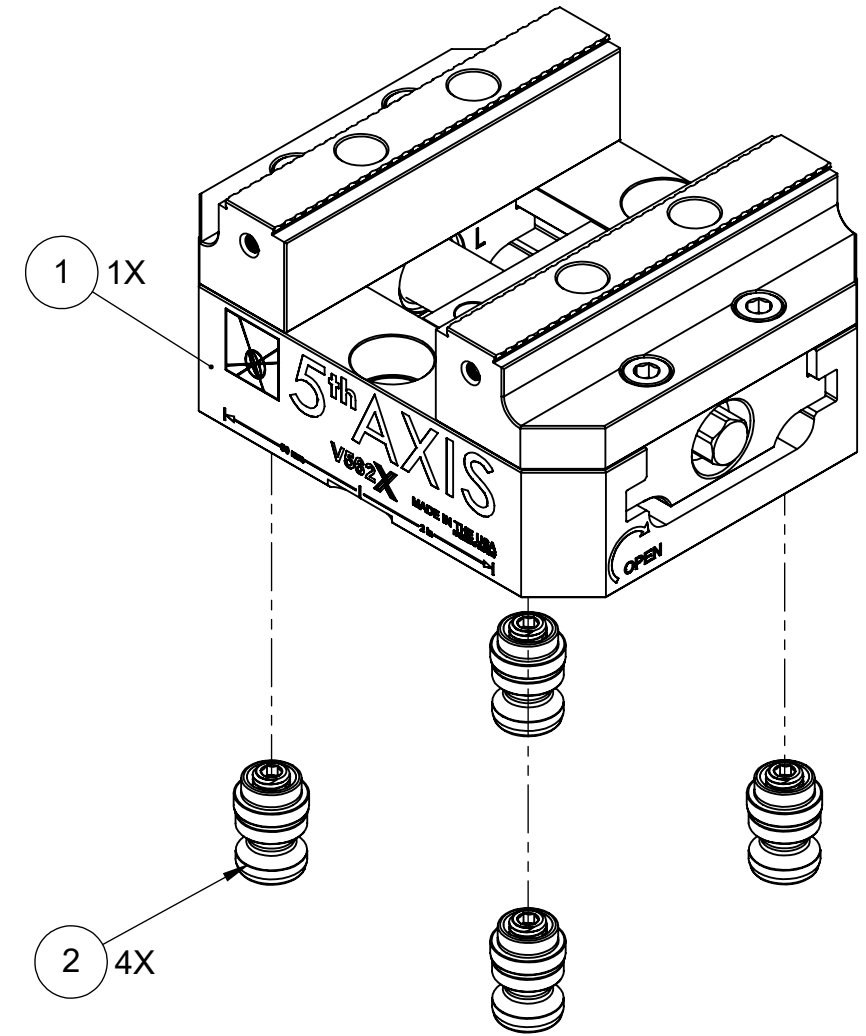
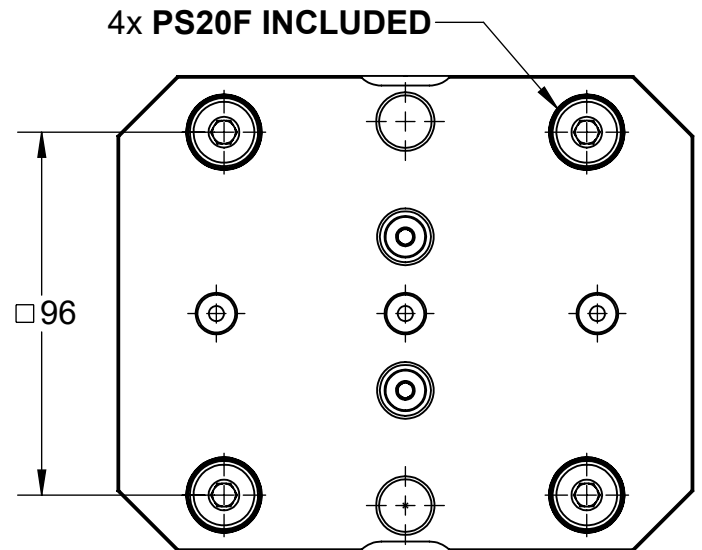
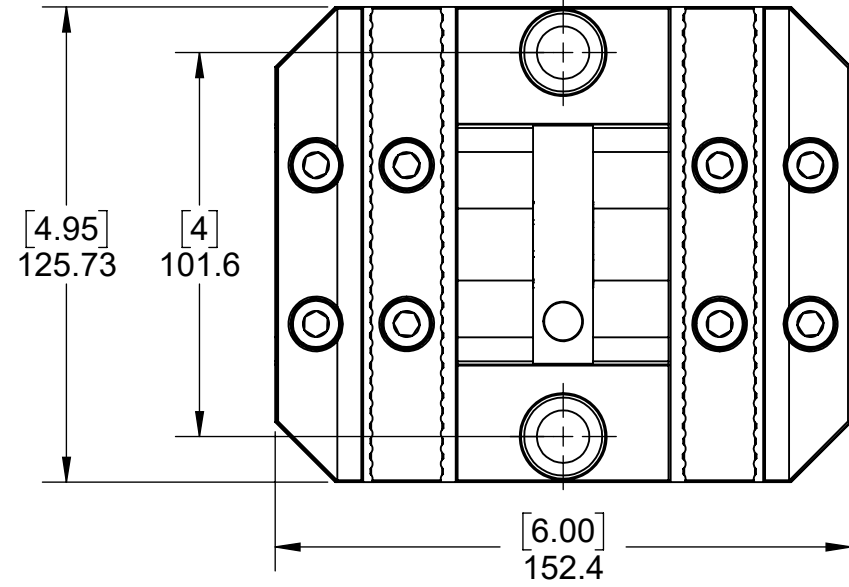
2

1

D

D

R96-V562X



ITEM NO.	PART NUMBER	DESCRIPTION	QTY.
1	V562X	SELF-CENTERING VISE	1
2	PS20F	96mm PULL STUD	4
FOR REFERENCE ONLY - NOT FOR RESALE			

C

C

B

B

A

A

8

7

6

5

4

3

2

1

MILLIMETER WWW.5THAXIS.COM 7140 ENGINEER ROAD SAN DIEGO, CA 92111 P (858) 505-0432			
	DESCRIPTION MEDIUM SELF-CENTERING VISE TOP TOOLING		
THIRD ANGLE PROJECTION 	SIZE B	PART NO. R96-V562X	REV B
DO NOT SCALE DRAWING		SCALE 1:2	WEIGHT: 4.56 kg
			SHEET 1 OF 1