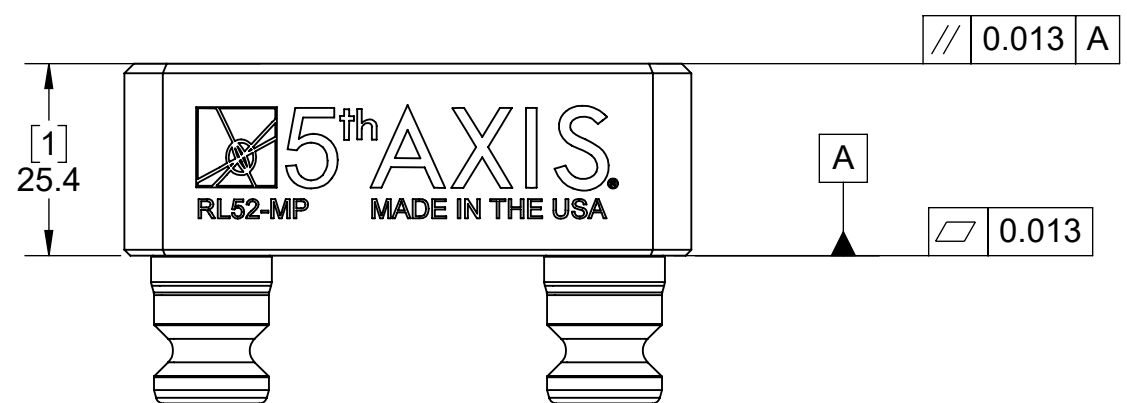
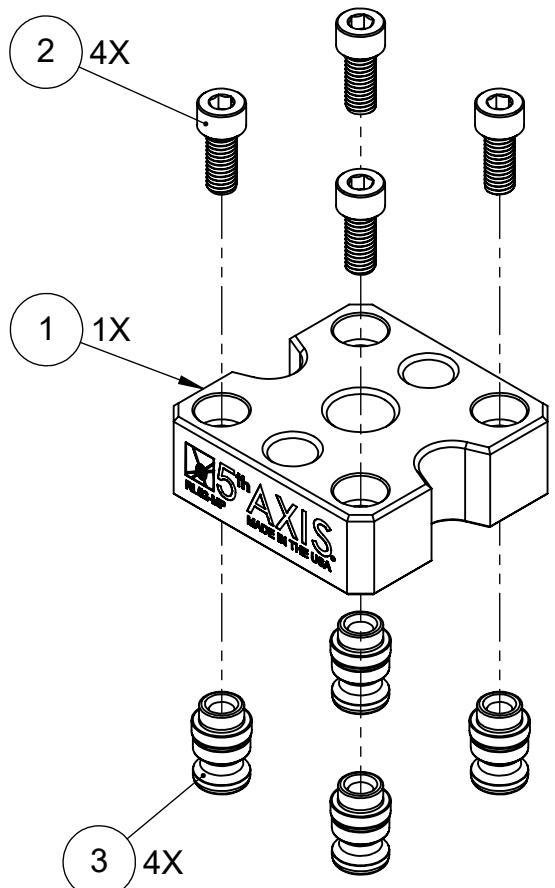
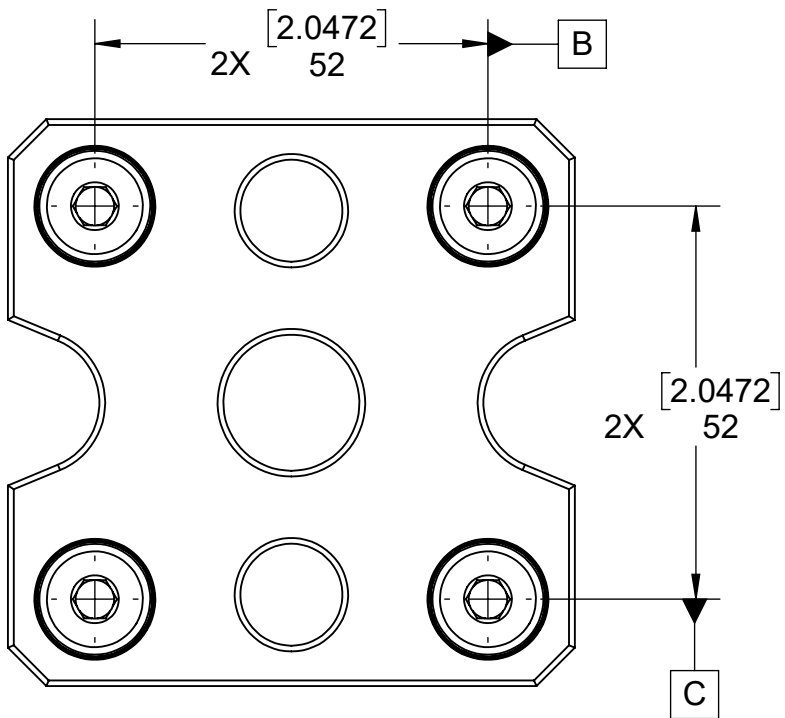
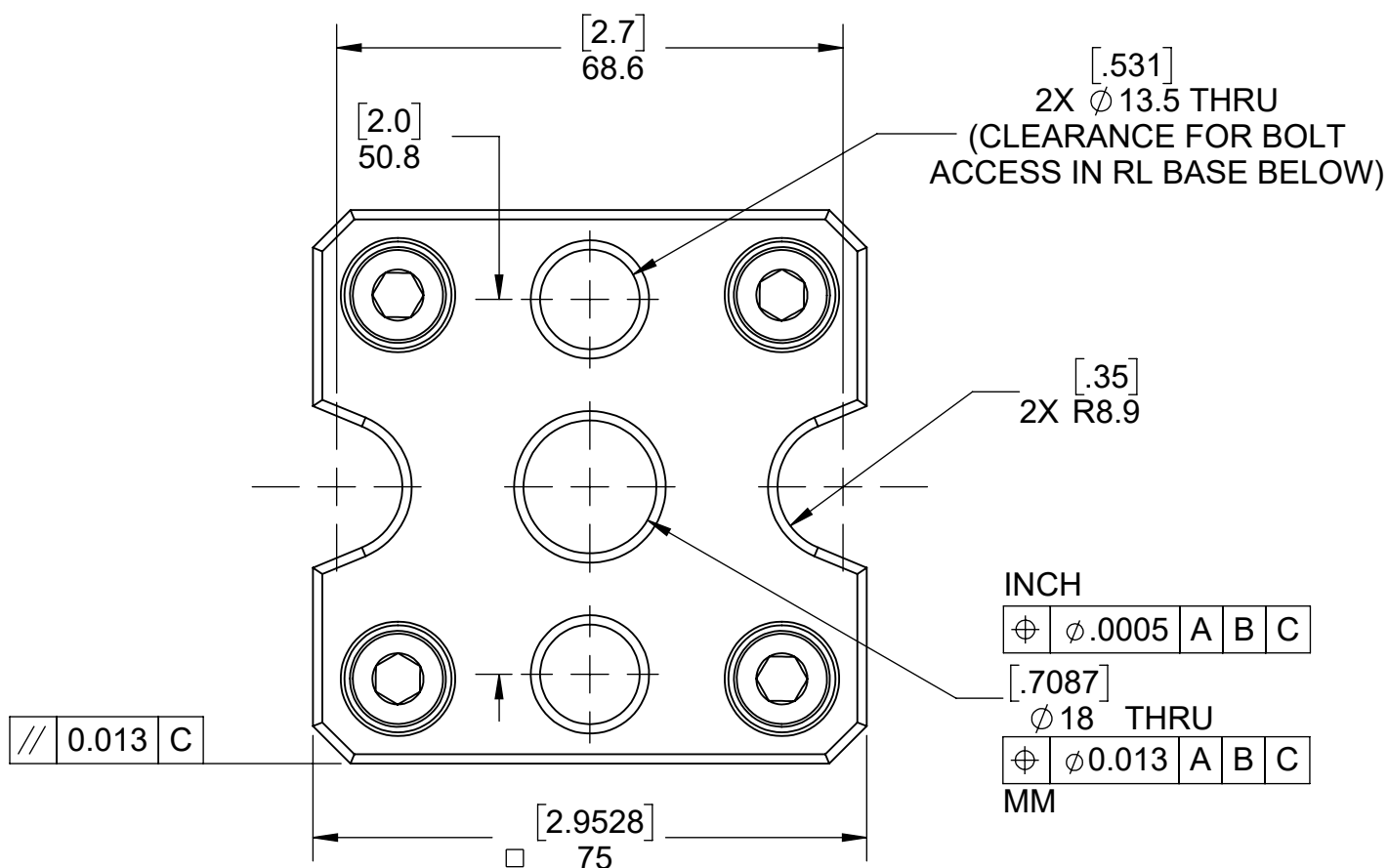


RL52-MP



ITEM NO.	PART NUMBER	DESCRIPTION	QTY.
1	RL52-MP	MASTER PALLET	1
2	-	SOCKET HEAD SCREW, M8x1.25x20mm	4
3	PS16F-1	52mm PULL STUD BODY	4
FOR REFERENCE ONLY - NOT FOR RESALE			

MILLIMETER WWW.5THAXIS.COM 7140 ENGINEER ROAD SAN DIEGO, CA 92111 P (858) 505-0432 THIRD ANGLE PROJECTION			
	DESCRIPTION 52MM MASTER GAUGING PALLET		
SIZE B	PART NO. RL52-MP	REV B	
DO NOT SCALE DRAWING		SCALE 1:1	WEIGHT:
			SHEET 1 OF 1