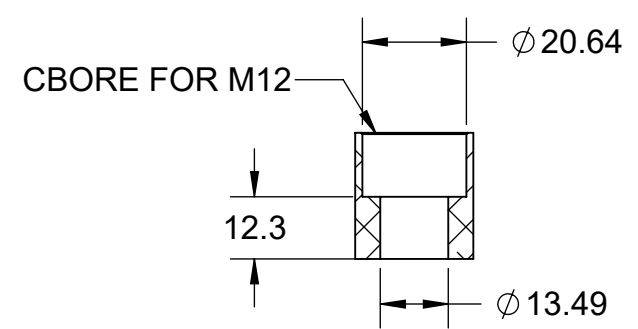
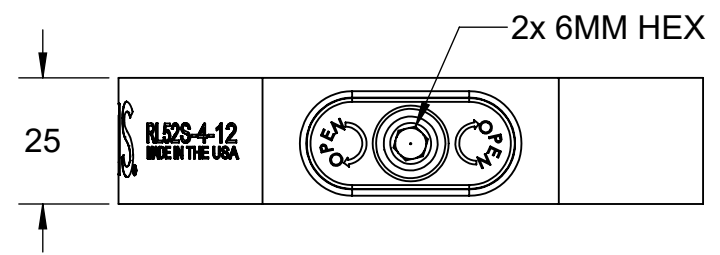
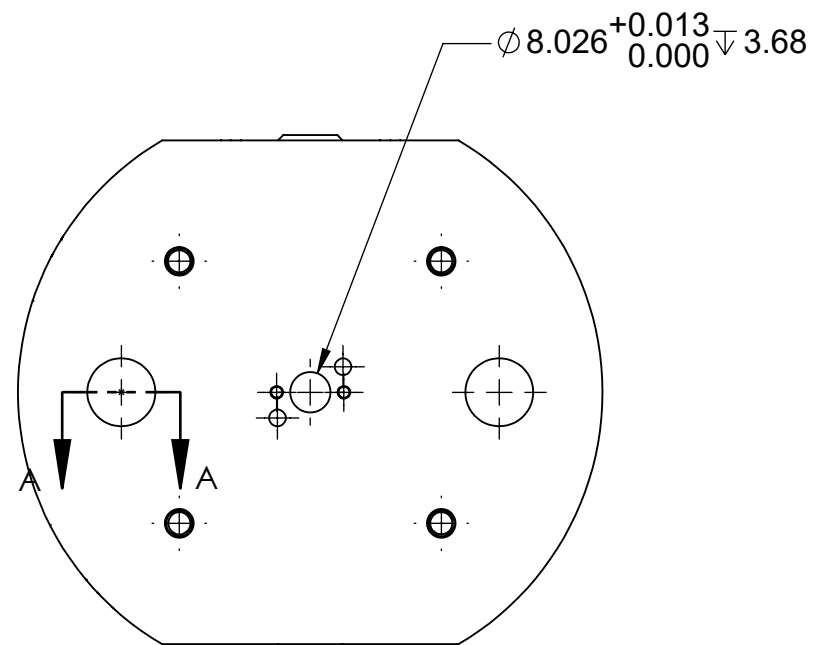
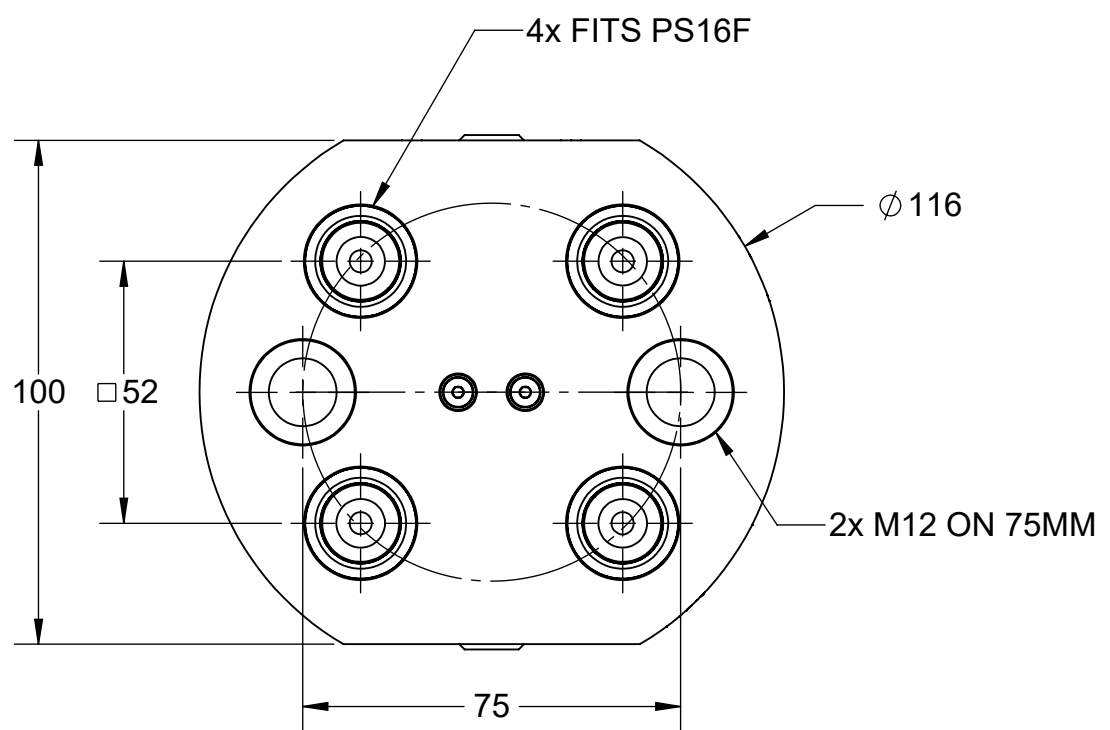
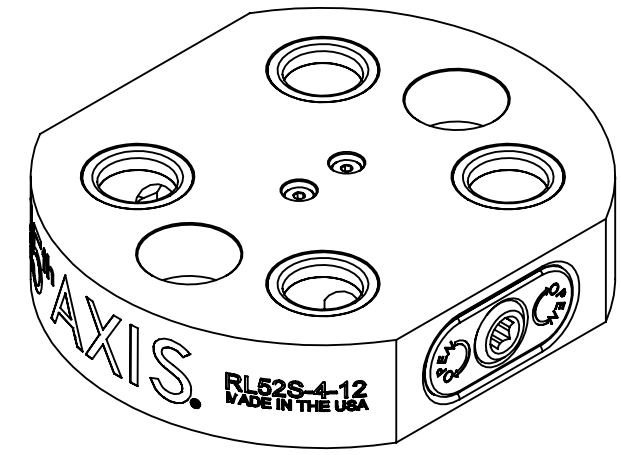



MATERIAL:
RL52A-4-12: 6061 ALUMINUM BODY

RL52A-4-12



SECTION A-A

| | | | | |
|--|--|---|-------------------------------|-----------------|
| MILLIMETER | |  | | |
| WWW.5THAXIS.COM 7140 ENGINEER ROAD SAN DIEGO, CA 92111 P (858) 505-0432 | | | | |
| THIRD ANGLE PROJECTION | | SIZE B | PART NO. RL52A-4-12 | REV B |
| DO NOT SCALE DRAWING | | SCALE 2:3 | WEIGHT: | SHEET 1 OF 2 |

8

7

6

5

4

3

2

1

MATERIAL:
RL52A-4-12: 6061 ALUMINUM BODY

RL52A-4-12

D

D

C

C

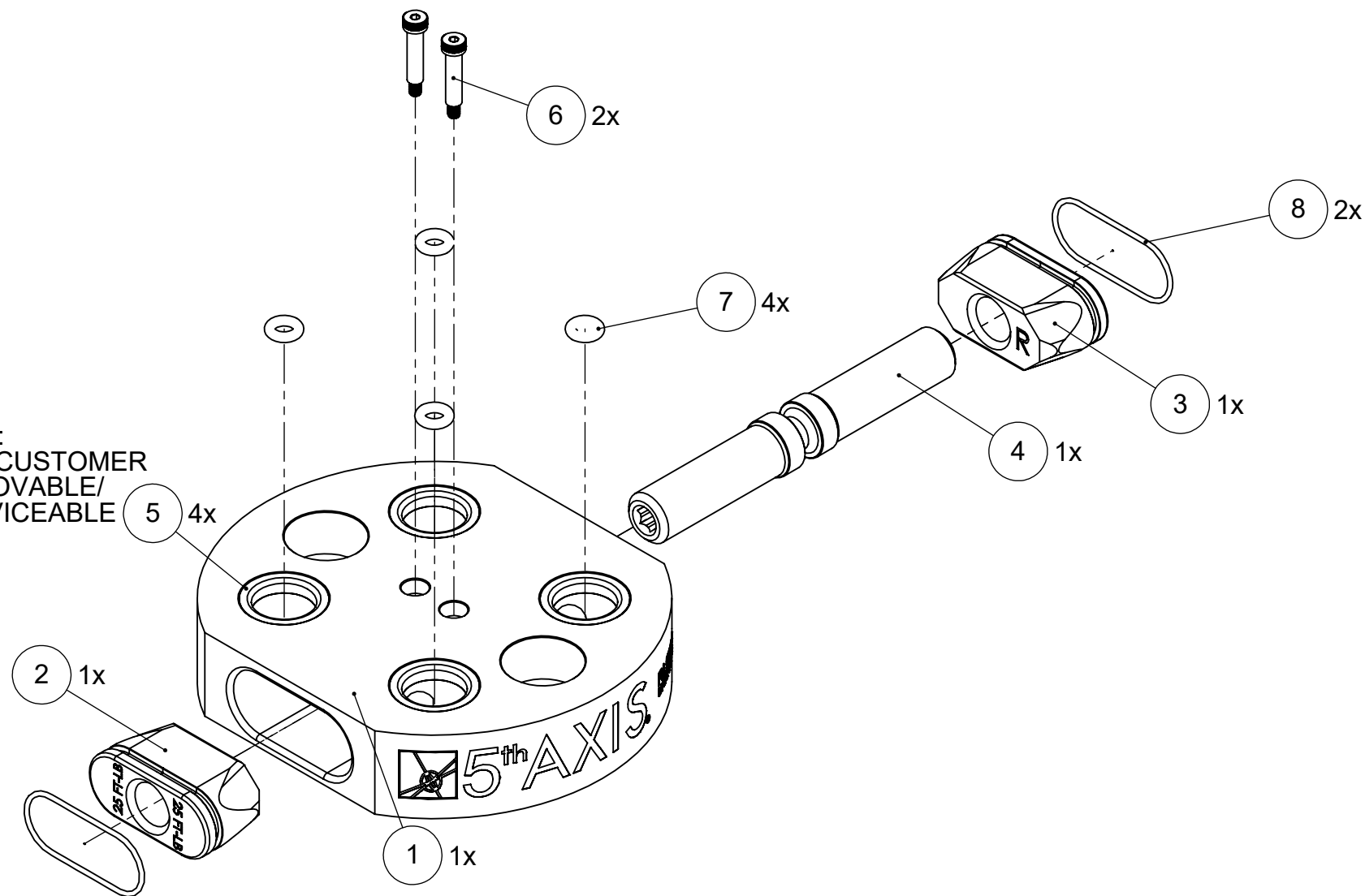
B

B

A

A

NOTE:
NOT CUSTOMER
REMOVABLE/
SERVICEABLE



| ITEM NO. | PART NUMBER | DESCRIPTION | QTY. |
|--|---------------------|---|------|
| 1 | RL52-14A-12 | ROCKLOCK™ BASE | 1 |
| 2 | RL52-2L | LEFT ROCKLOCK™ TRUCK | 1 |
| 3 | RL52-2R | RIGHT ROCKLOCK™ TRUCK | 1 |
| 4 | RL52-3 | ROCKLOCK™ LEAD SCREW | 1 |
| 5 | 22X16.DB | PRECISION BUSHING | 4 |
| 6 | SB43 | SHOULDER BOLT | 2 |
| 7 | - | BUNA-N O-RING, 3/32 - #106 | 4 |
| 8 | - | BUNA-N O-RING, 1/16 - #023 | 2 |
| 9 | MCMASTER 9750K72 | POLYETHYLENE PANEL PLUGS 16-18mm (NOT SHOWN) | 4 |
| FOR REFERENCE ONLY - NOT FOR RESALE | | | |

| | | | |
|---|--|--|-------------------------------|
| MILLIMETER | | | |
| WWW.5THAXIS.COM | | ROCKLOCK™ 52MM LOW-PROFILE BASE | |
| 7140 ENGINEER ROAD SAN DIEGO, CA 92111 P (858) 505-0432 | | | |
| THIRD ANGLE PROJECTION | | DESCRIPTION | REV |
| | | SIZE B | PART NO. RL52A-4-12 |
| DO NOT SCALE DRAWING | | SCALE 2:3 | WEIGHT: |
| | | SHEET 2 OF 2 | |

8

7

6

5

4

3

2

1