

8

7

6

5

4

3

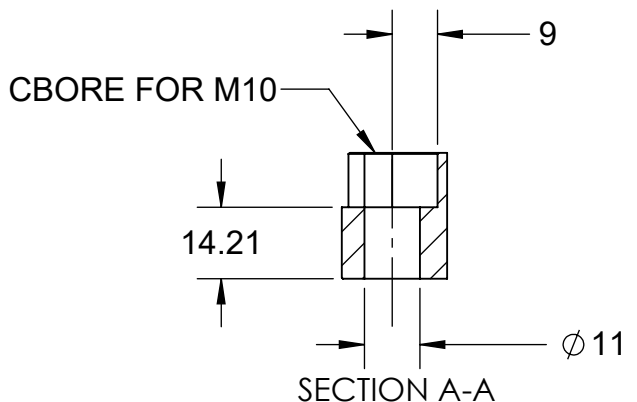
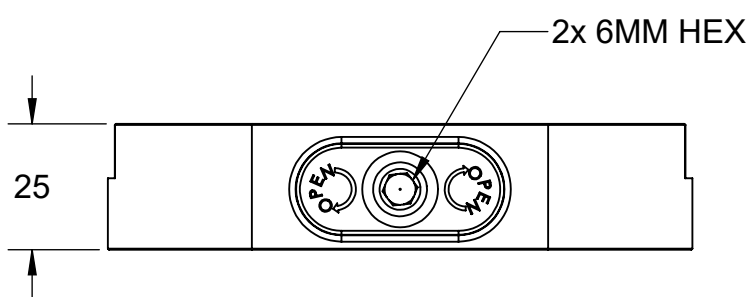
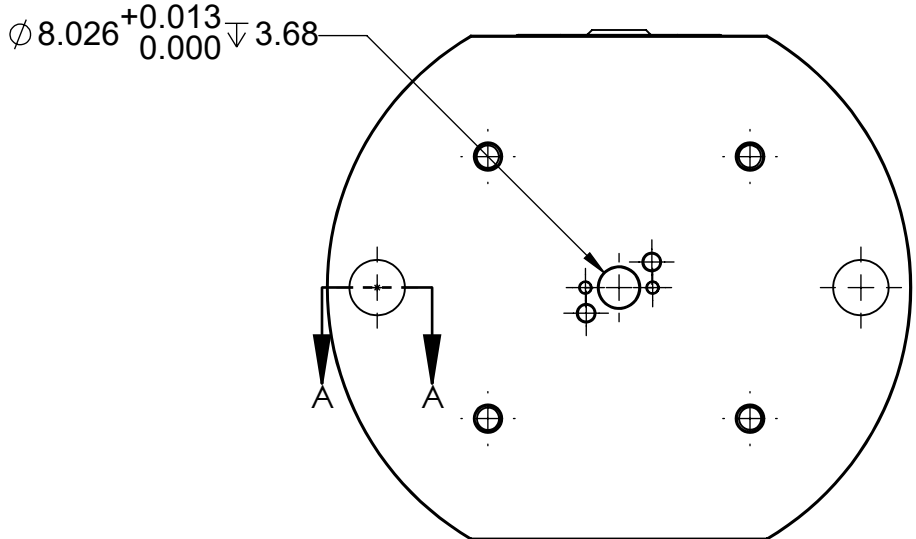
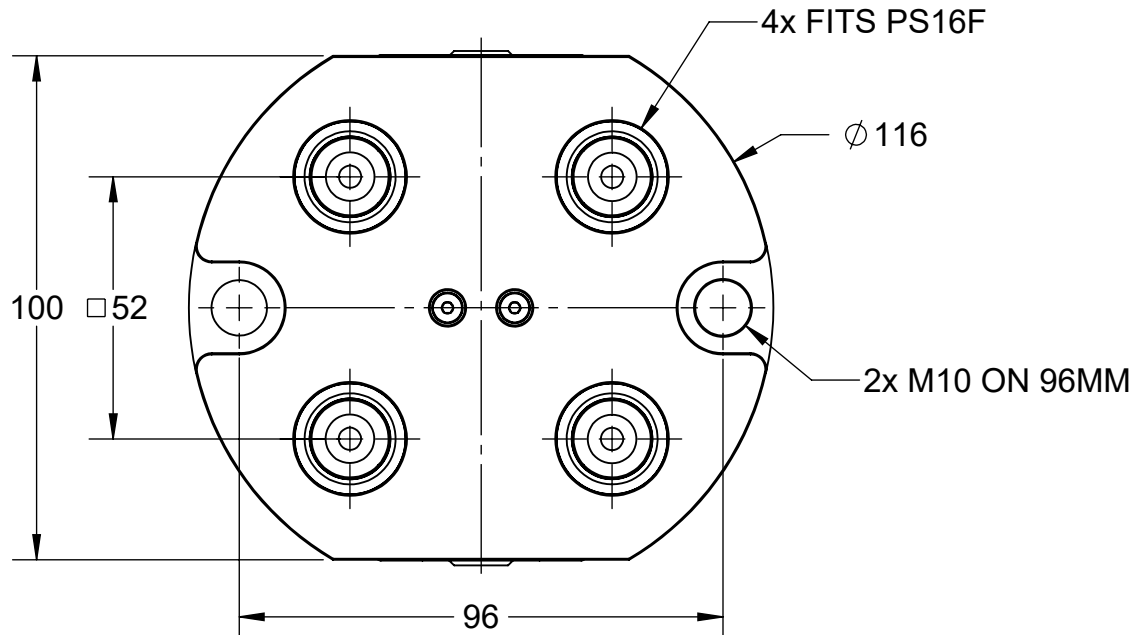
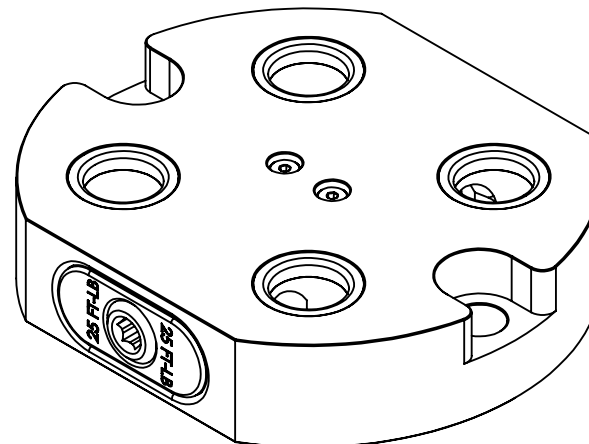
2


1

MATERIAL:
RL52A-4-96: 6061 ALUMINUM BODY
RL52S-4-96: 1018 STEEL BODY

RL52A-4-96

RL52S-4-96



MILLIMETER				
WWW.5THAXIS.COM 7140 ENGINEER ROAD SAN DIEGO, CA 92111 P (858) 505-0432				
THIRD ANGLE PROJECTION		DESCRIPTION	ROCKLOCK™ 52MM LOW-PROFILE BASE	
SIZE	PART NO.	RL52A-4-96 / RL52S-4-96		REV
B				B
DO NOT SCALE DRAWING		SCALE 2:3	WEIGHT:	SHEET 1 OF 2

8

7

6

5

4

3

2

1

8

7

6

5

4

3

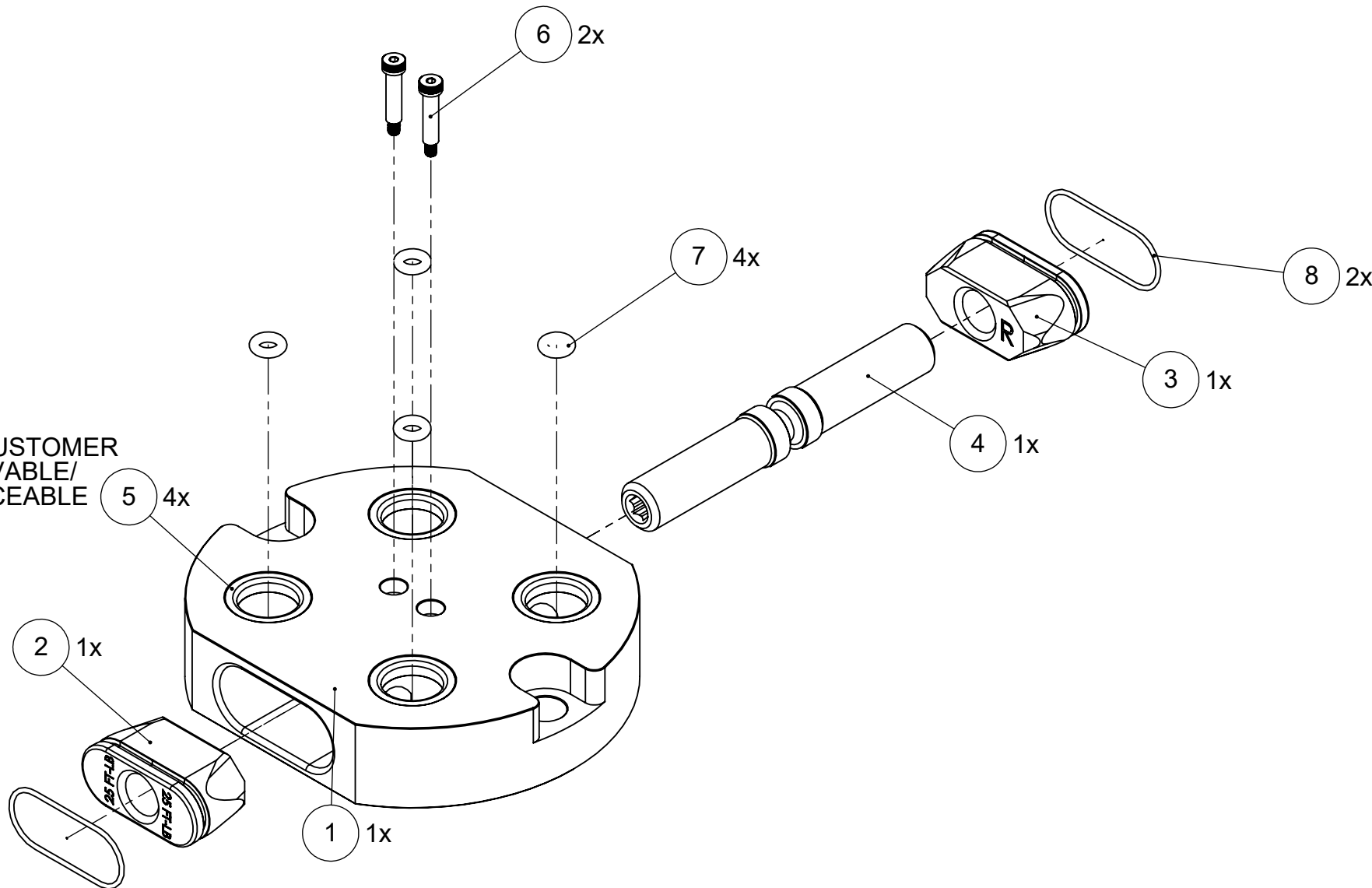
2

1

MATERIAL:
RL52A-4-96: 6061 ALUMINUM BODY
RL52S-4-96: 1018 STEEL BODY

RL52A-4-96

RL52S-4-96



NOTE:
 NOT CUSTOMER
 REMOVABLE/
 SERVICEABLE

ITEM NO.	PART NUMBER	DESCRIPTION	QTY.
1	RL52-14A/S-96	ROCKLOCK™ BASE	1
2	RL52-2L	LEFT ROCKLOCK™ TRUCK	1
3	RL52-2R	RIGHT ROCKLOCK™ TRUCK	1
4	RL52-3	ROCKLOCK™ LEAD SCREW	1
5	22X16.DB	PRECISION BUSHING	4
6	SB43	SHOULDER BOLT	2
7	-	BUNA-N O-RING, 3/32 - #106	4
8	-	BUNA-N O-RING, 1/16 - #023	2
9	MCMASTER 9750K72	POLYETHYLENE PANEL PLUGS 16-18mm (NOT SHOWN)	4

FOR REFERENCE ONLY - NOT FOR RESALE

MILLIMETER				
WWW.5THAXIS.COM				
7140 ENGINEER ROAD SAN DIEGO, CA 92111 P (858) 505-0432		DESCRIPTION ROCKLOCK™ 52MM LOW-PROFILE BASE		
THIRD ANGLE PROJECTION		SIZE B	PART NO. RL52A-4-96 / RL52S-4-96	REV B
DO NOT SCALE DRAWING		SCALE 2:3	WEIGHT:	SHEET 2 OF 2

8

7

6

5

4

3

2

1