

8

7

6

5

4

3

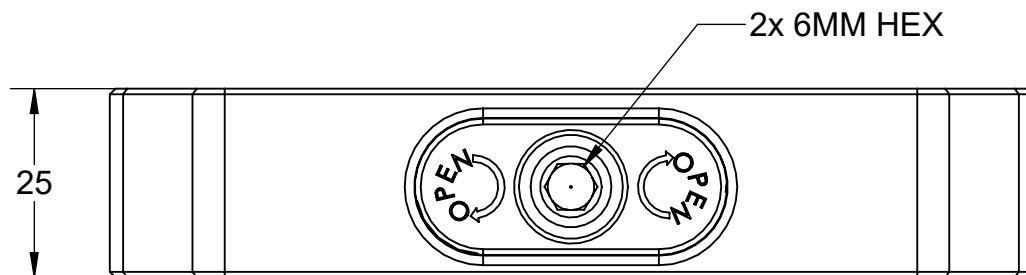
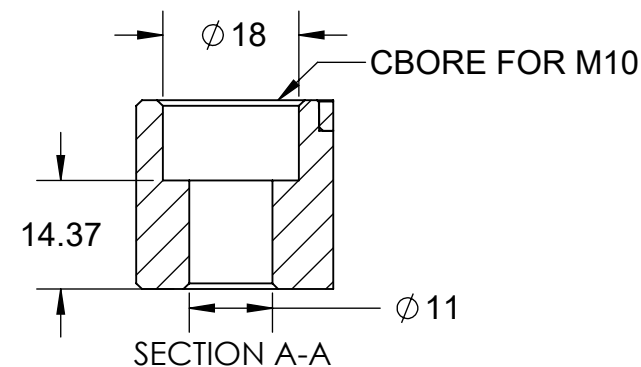
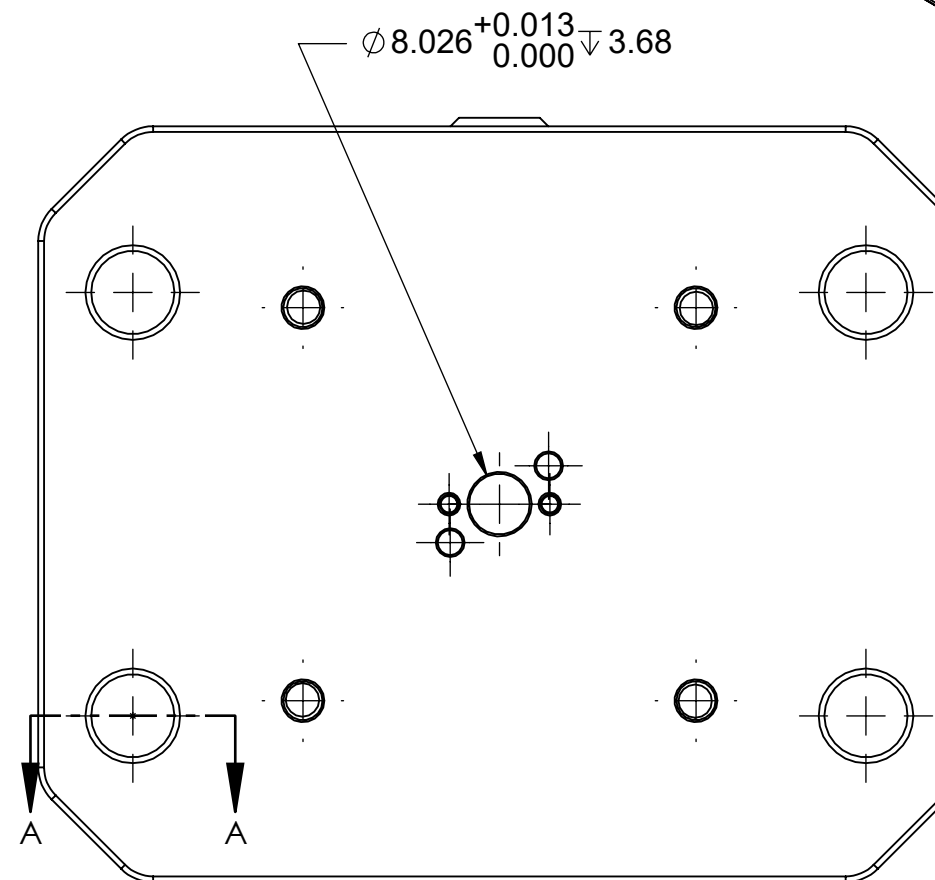
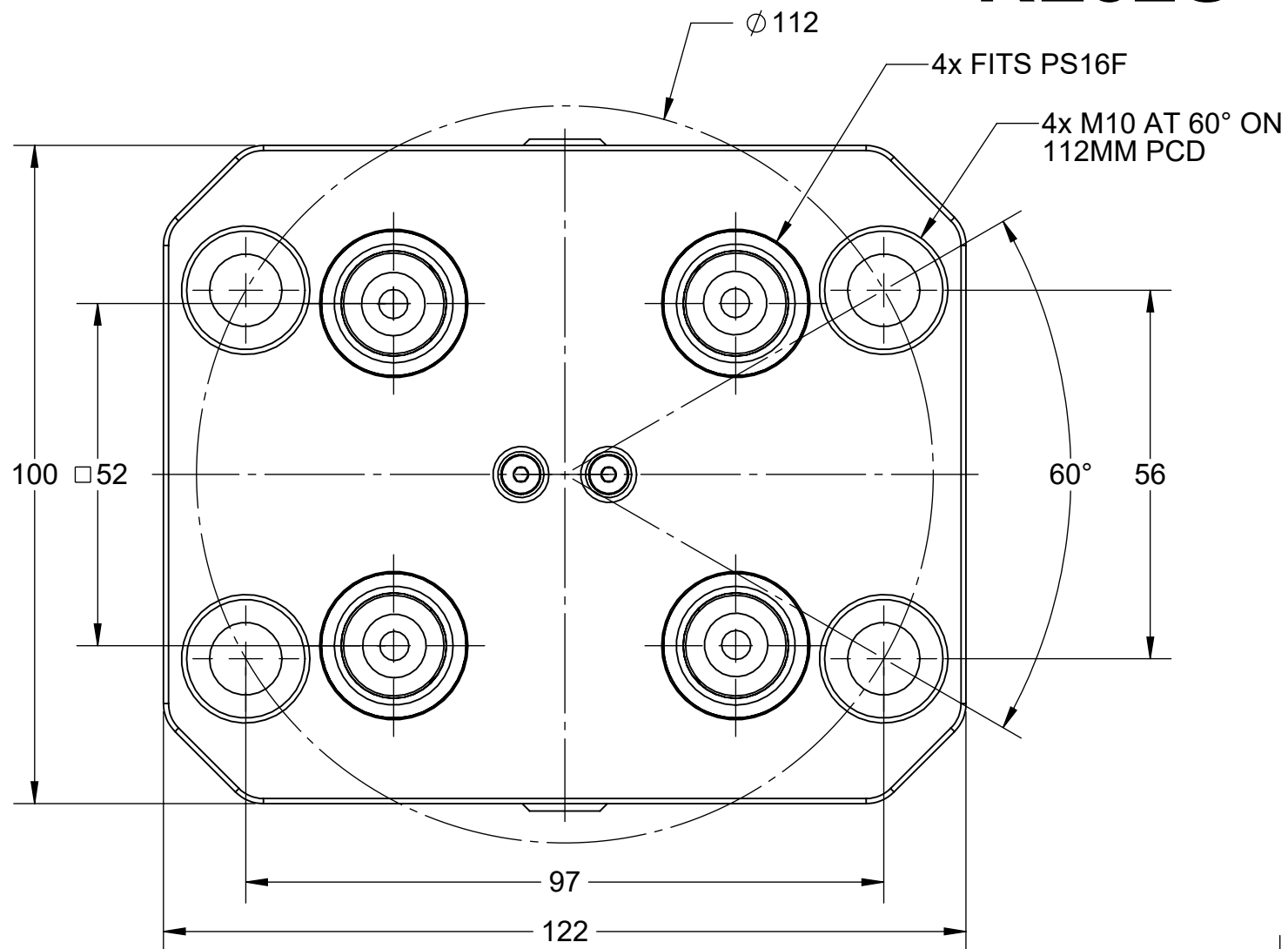
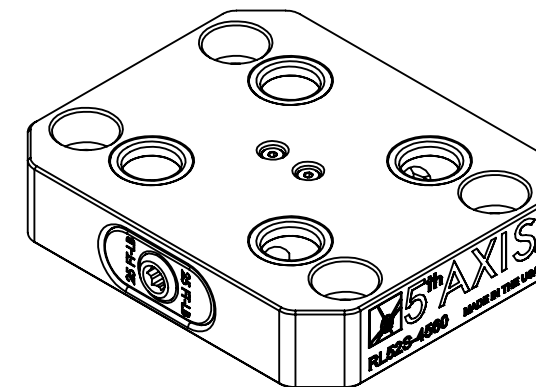
2

1

**MATERIAL:**  
 RL52A-4560: 6061 ALUMINUM BODY  
 RL52S-4560: 1018 STEEL BODY

# RL52A-4560

# RL52S-4560



<b>MILLIMETER</b>				<b>ROCKLOCK™ 52MM LOW-PROFILE BASE</b>	REV <b>B</b>
WWW.5THAXIS.COM 7140 ENGINEER ROAD SAN DIEGO, CA 92111 P (858) 505-0432					
THIRD ANGLE PROJECTION	SIZE <b>B</b>	PART NO.	<b>RL52A-4560 / RL52S-4560</b>		
DO NOT SCALE DRAWING		SCALE 1:1	WEIGHT:	SHEET 1 OF 2	

8

7

6

5

4

3

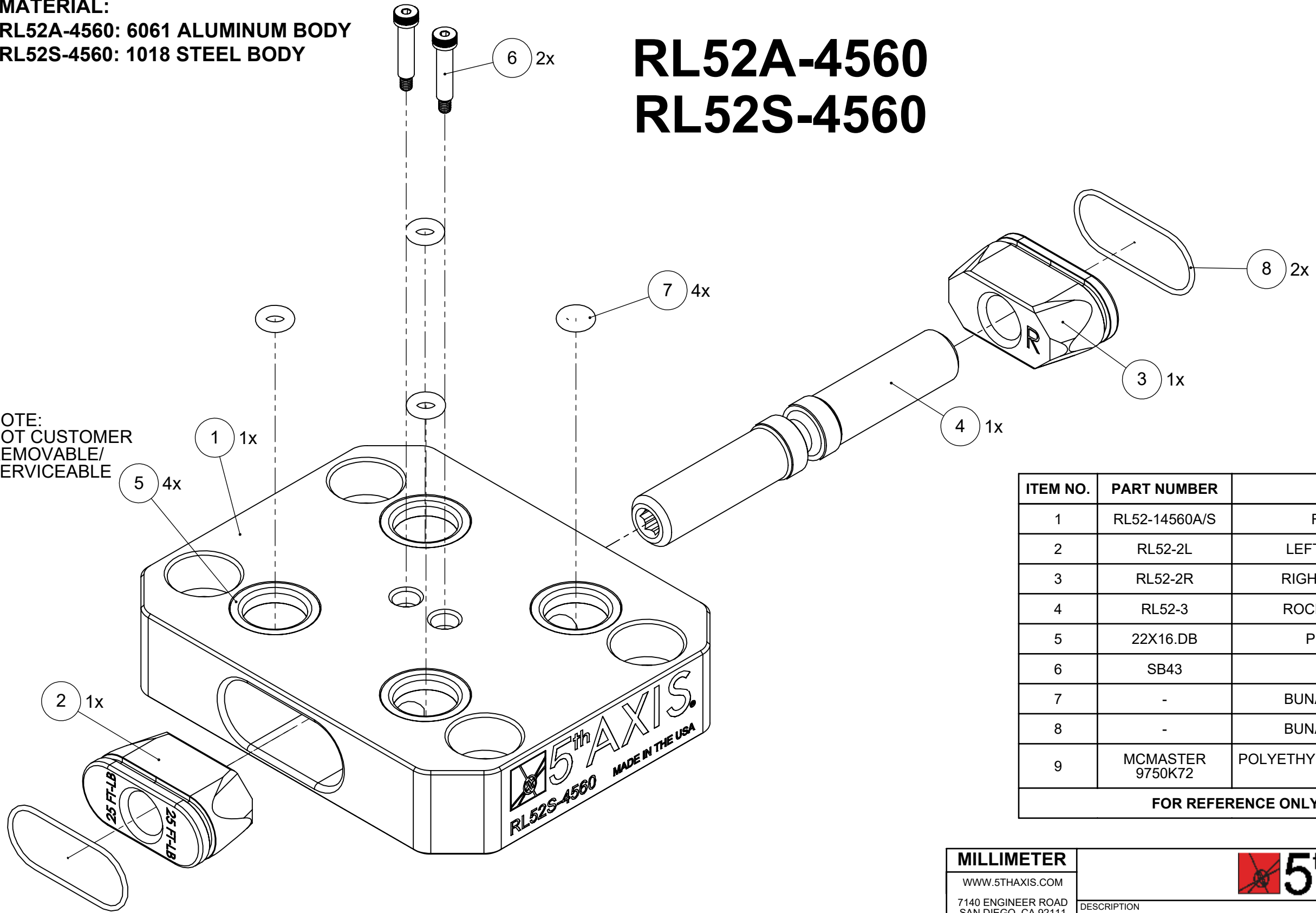
2

1

**MATERIAL:**  
 RL52A-4560: 6061 ALUMINUM BODY  
 RL52S-4560: 1018 STEEL BODY

# RL52A-4560 RL52S-4560

NOTE:  
 NOT CUSTOMER  
 REMOVABLE/  
 SERVICEABLE



ITEM NO.	PART NUMBER	DESCRIPTION	QTY.
1	RL52-14560A/S	ROCKLOCK™ BASE	1
2	RL52-2L	LEFT ROCKLOCK™ TRUCK	1
3	RL52-2R	RIGHT ROCKLOCK™ TRUCK	1
4	RL52-3	ROCKLOCK™ LEAD SCREW	1
5	22X16.DB	PRECISION BUSHING	4
6	SB43	SHOULDER BOLT	2
7	-	BUNA-N O-RING, 3/32 - #106	4
8	-	BUNA-N O-RING, 1/16 - #023	2
9	MCMASTER 9750K72	POLYETHYLENE PANEL PLUGS 16-18mm (NOT SHOWN)	4
FOR REFERENCE ONLY - NOT FOR RESALE			

<b>MILLIMETER</b>			
WWW.5THAXIS.COM		<b>ROCKLOCK™ 52MM LOW-PROFILE BASE</b>	
7140 ENGINEER ROAD SAN DIEGO, CA 92111 P (858) 505-0432			
THIRD ANGLE PROJECTION		SIZE	REV
		<b>B</b>	<b>B</b>
		PART NO.	
		<b>RL52A-4560 / RL52S-4560</b>	
DO NOT SCALE DRAWING		SCALE 1:1	WEIGHT:
			SHEET 2 OF 2