

8

7

6

5

4

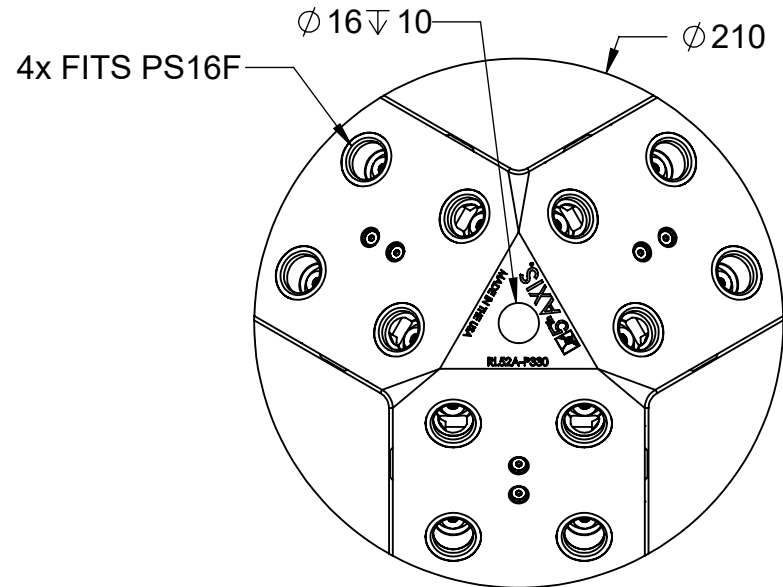
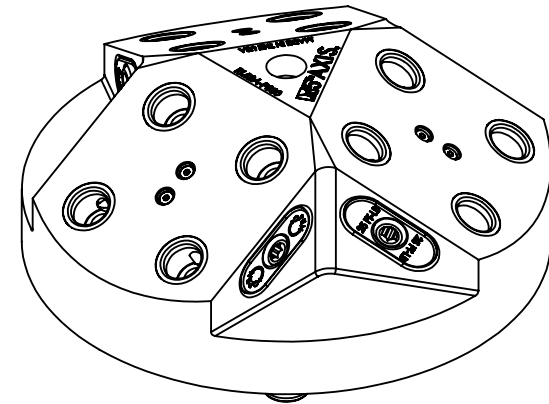
3

2

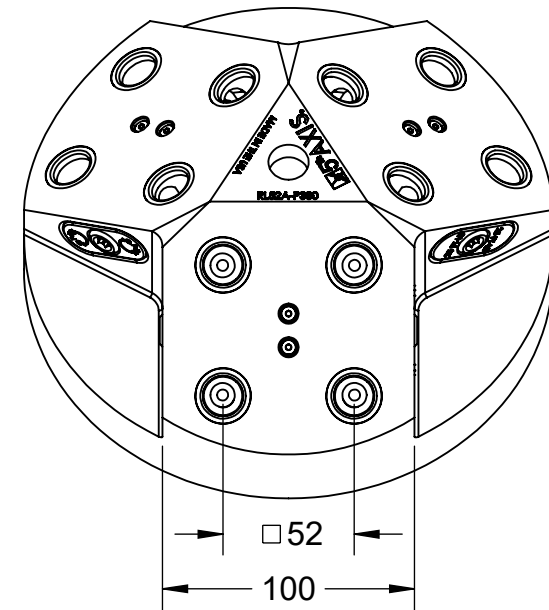
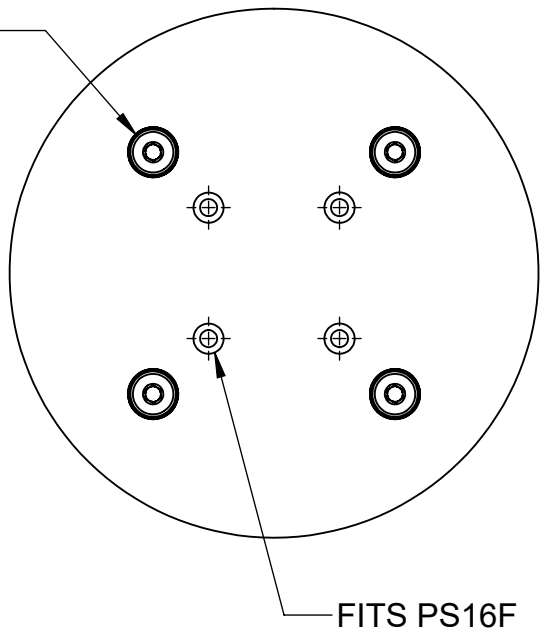
1

MATERIAL:
RL52A-P330: 6061 ALUMINUM BODY

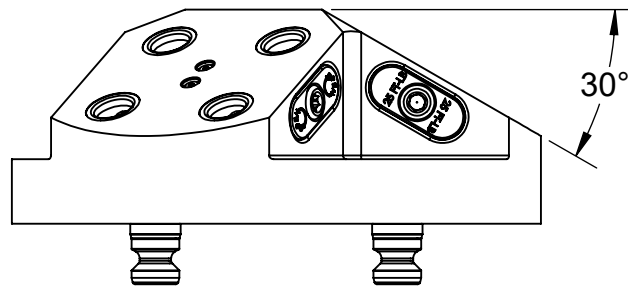
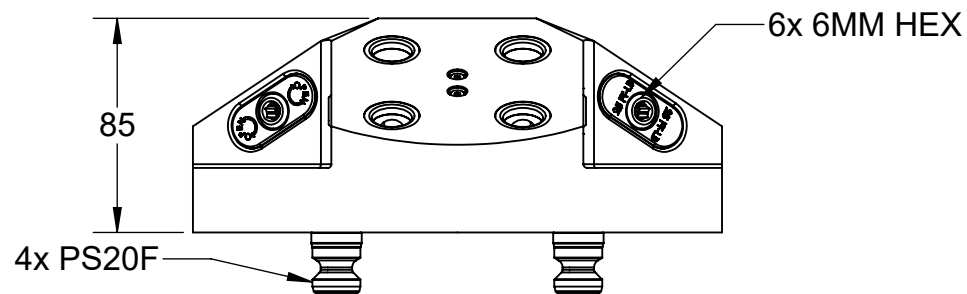
RL52A-P330




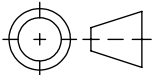
4x PS20F INCLUDED



TOP FACE AUXILIARY VIEW



FRONT AUXILIARY VIEW

MILLIMETER				
WWW.5THAXIS.COM				
7140 ENGINEER ROAD SAN DIEGO, CA 92111 P (858) 505-0432		DESCRIPTION ROCKLOCK™ 52MM THREE SIDED PYRAMID BASE		
THIRD ANGLE PROJECTION 		SIZE B	PART NO. RL52A-P330	REV B
DO NOT SCALE DRAWING		SCALE 1:3	WEIGHT:	SHEET 1 OF 3

8

7

6

5

4

3

2

1

D

D

C

C

B

B

A

A

8

7

6

5

4

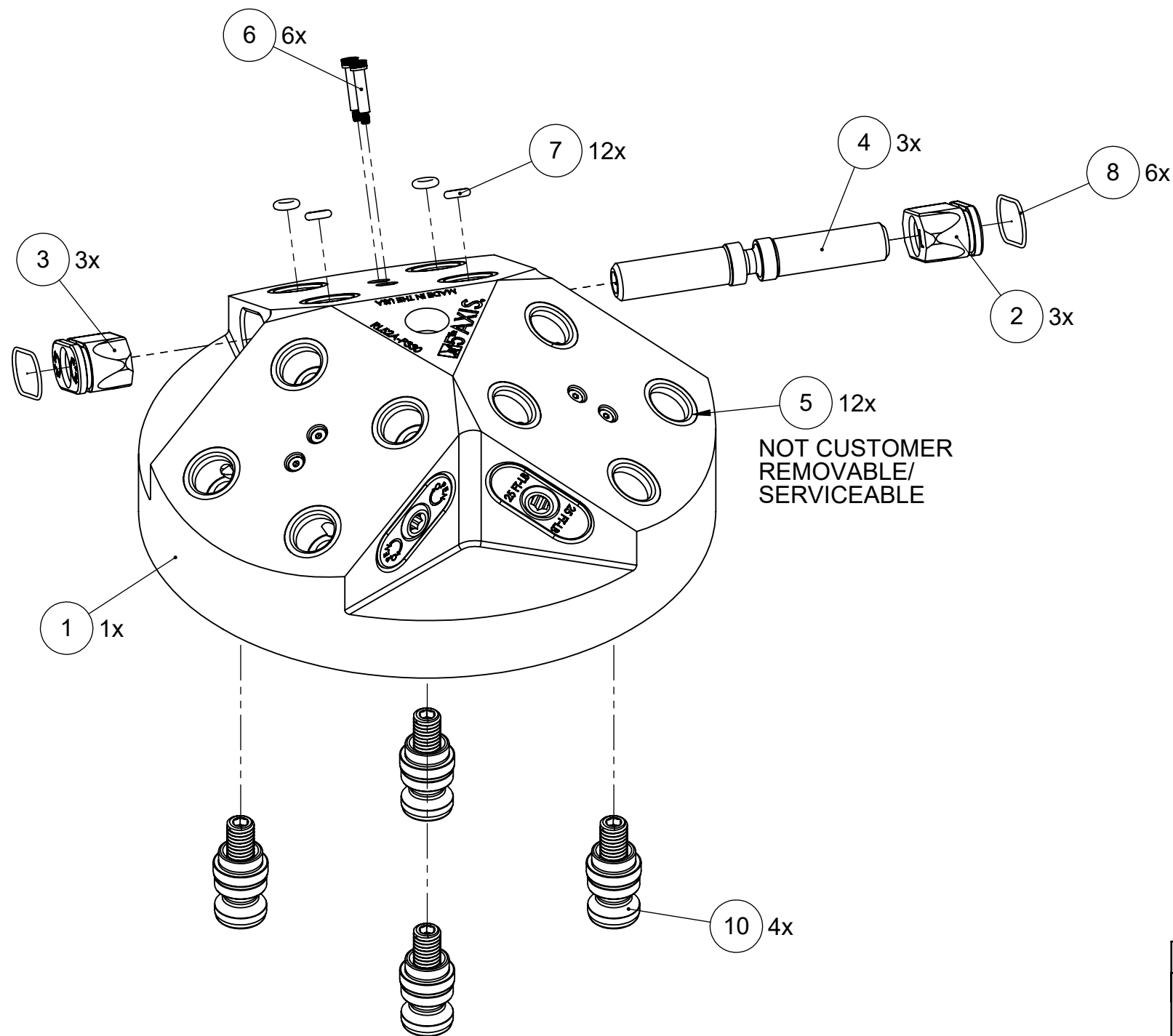
3

2

1

MATERIAL:
RL52A-P330: 6061 ALUMINUM BODY

RL52A-P330



ITEM NO.	PART NUMBER	DESCRIPTION	QTY.
1	RL52-1P330A	ROCKLOCK™ BASE	1
2	RL52-2L	LEFT ROCKLOCK™ TRUCK	3
3	RL52-2R	RIGHT ROCKLOCK™ TRUCK	3
4	RL52-3	ROCKLOCK™ LEAD SCREW	3
5	22X16.DB	PRECISION BUSHING	12
6	SB43	SHOULDER BOLT	6
7	-	BUNA-N O-RING, 3/32 - #106	12
8	-	BUNA-N O-RING, 1/16 - #023	6
9	MCMASTER 9750K72	POLYETHYLENE PANEL PLUGS 16-18mm (NOT SHOWN)	12
10	PS20F	96mm PULL STUD	4

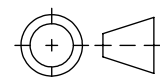
FOR REFERENCE ONLY - NOT FOR RESALE

MILLIMETER

WWW.5THAXIS.COM

7140 ENGINEER ROAD
 SAN DIEGO, CA 92111
 P (858) 505-0432

THIRD ANGLE PROJECTION



5th AXIS

DESCRIPTION

ROCKLOCK™ 52MM THREE SIDED PYRAMID BASE

SIZE

B

PART NO.

RL52A-P330

REV

B

DO NOT SCALE DRAWING

SCALE 1:2

WEIGHT:

SHEET 2 OF 3

8

7

6

5

4

3

2

1

8

7

6

5

4

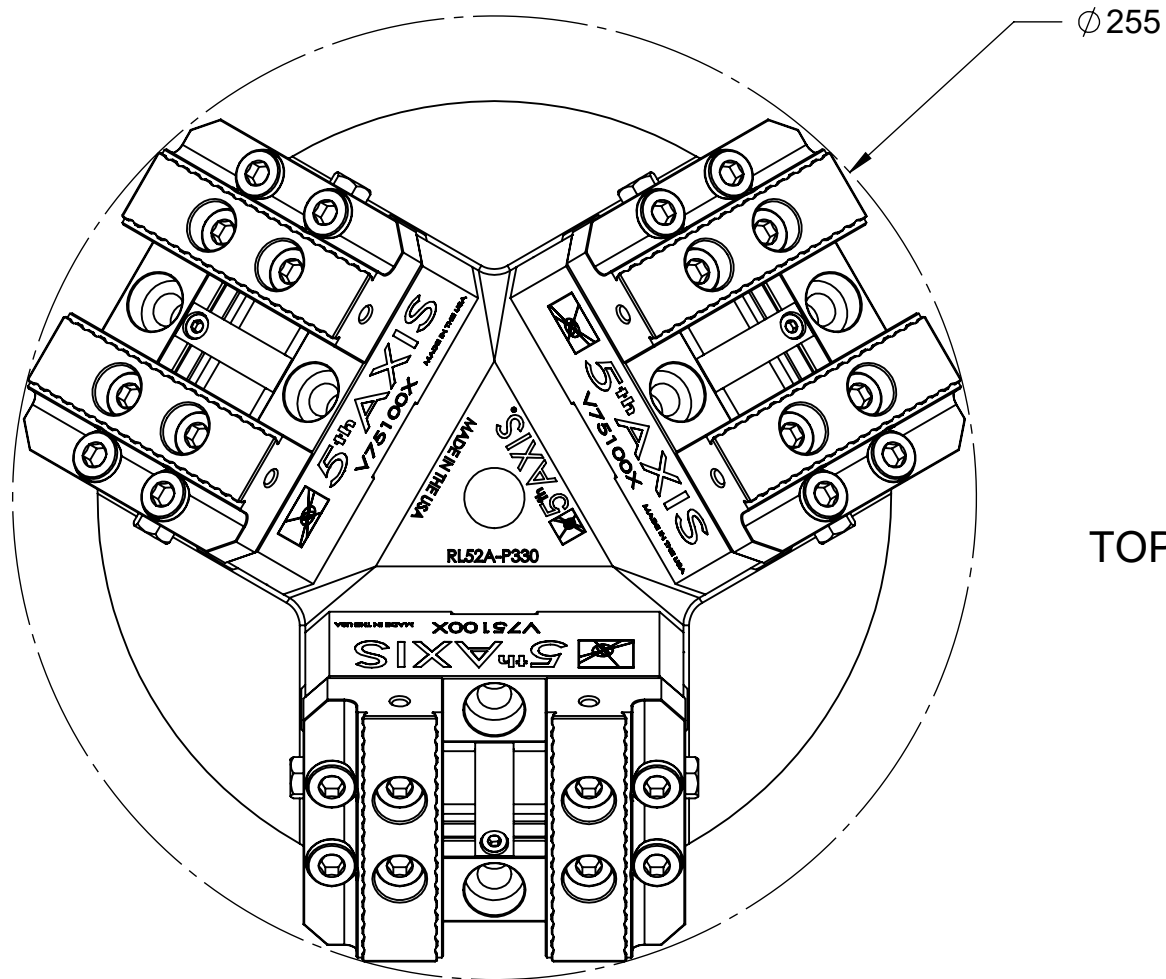
3

2

1

MATERIAL:
RL52A-P330: 6061 ALUMINUM BODY

RL52A-P330



TOP VIEW OF RL52A-P330 WITH 3x V75100X

D

D

C


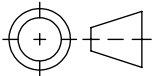
C

B

B

A

A

MILLIMETER				
WWW.5THAXIS.COM		DESCRIPTION		
7140 ENGINEER ROAD SAN DIEGO, CA 92111 P (858) 505-0432		ROCKLOCK™ 52MM THREE SIDED PYRAMID BASE		
THIRD ANGLE PROJECTION		SIZE	PART NO.	REV
		B	RL52A-P330	B
DO NOT SCALE DRAWING		SCALE 1:2	WEIGHT:	SHEET 3 OF 3

8

7

6

5

4

3

2

1